

## Excellent Integrated System Limited

Stocking Distributor

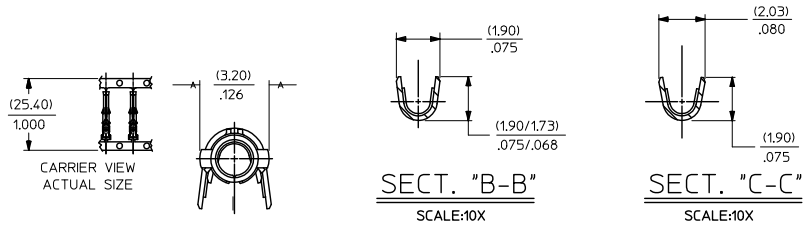
Click to view price, real time Inventory, Delivery & Lifecycle Information:

[Molex Connector Corporation](#)  
[0002065148](#)

For any questions, you can email us directly:

[sales@integrated-circuit.com](mailto:sales@integrated-circuit.com)

PART NO.	ENG. NO.	
02-06-1131	1855-(P901)	
02-06-1132	1855-(P901)L	
02-06-5137	1855-(P591)	OBSOLETE
02-06-5136	1855-(P591)L	OBSOLETE
02-06-5138	1855-(P561)	
02-06-5139	1855-(P561)L	
02-06-5130	1855-(P550)	
02-06-5135	1855-(P550)L	
02-06-5147	1855-(P228)	
02-06-5148	1855-(P228)L	
02-06-1141	1855-1(P901)	
NOT TOOLED	1855-1(P901)L	
02-06-1143	1855-(P901)1	



**LEGEND**

1855-\*(\*\*\*\*)\*

BLANK-WITH LOCKING TABS  
1-WITHOUT LOCKING TABS

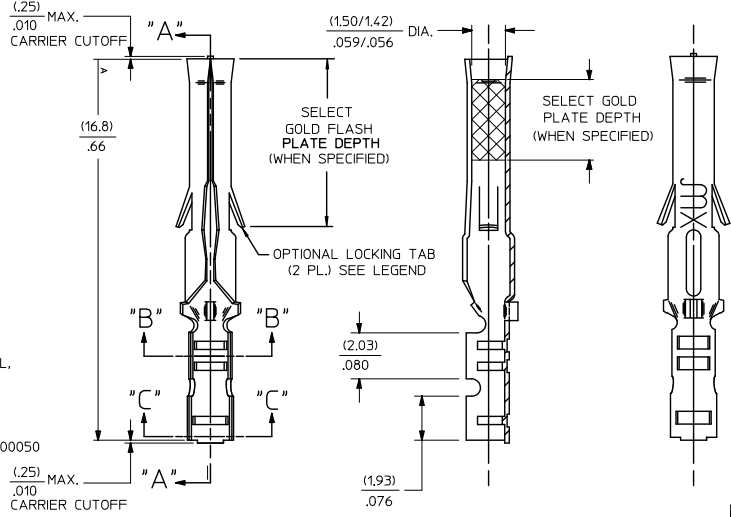
P=PREPLATE  
BLANK=POSTPLATE

FORM  
BLANK=CHAIN  
1=CHAIN WITH INTERLEAF  
PAPER ON REEL.  
L=LOOSE

FINISH CODE

**NOTES:**

- MATERIAL: BRASS
- FINISHES:
  - 901 HOT TIN DIP (.0005)/.000020 MIN.
  - \* 228 SELECT GOLD PLATE (.00075)/.000030 MIN. IN CONTACT AREA, SELECT TIN (.00250)/.000100 MIN. IN CRIMP AREA OVER (.00125)/.000050 MIN. NICKEL OVERALL, WITH .000010/(0.00025) MAX. SELECT GOLD FLASH IN AREA INDICATED.
  - 561 SELECT GOLD PLATE (.00076)/.000030 MIN. IN CONTACT AREA, (.00127)/.000050 MIN. NICKEL OVERALL.
  - 591 SELECT GOLD PLATE (.00127)/.000050 MIN. IN CONTACT AREA, OVER (.00127)/.000050 MIN. NICKEL OVERALL WITH (.00025)/.000010 MAX. GOLD FLASH OVERALL.
  - 550 SELECT GOLD PLATE (.00038)/.000015 MIN. IN CONTACT AREA, OVER (.00076)/.000030 MIN. NICKEL OVERALL WITH (.00025)/.000010 MAX. GOLD FLASH OVERALL.
- THE PRIMARY SHIPPING CARTON WILL BE LABELED, \*COMPLIANT TO RoHS DIRECTIVE 2002/95/EC AND ELV ANNEX II OF DIRECTIVE 2000/53/EC THIS LABEL MAY CONTAIN PRODUCT WITH TIN-LEAD.
- PRODUCT SPECIFICATION: PS-02-0-6
- PACKAGE INFORMATION: NOT AVAILABLE
- TERMINAL FOR USE WITH (1.57)/.062 DIA. SERIES HOUSINGS AND WILL ACCEPT 24 THRU 30 AWG WIRE WITH (1.02/2.29)/.040/.090 INSULATION DIAMETER.



**SECT. "A-A"**

AP	REVISE Sn/Pb PLATE REDRAWN TO NEW ICP/2004-2097 5/07/04 RHWLTS
AN	OBSOLETE P/N UCR2002-0270 CONN 01/19/28
AM1	OBSOLETE -P579 & -P579L ECR UK 03/98 CAC/15/95 RW
AM	REV. AND REDRAWN PER ECR 03/72 GEP 6-17-87 RW

REV. MATL SPEC/CAST TO HEAD EC NO: 0002065148-2009/7 DRAWN/HOLTS 2004/05/14 CHKD: 2004/05/14 APPR: F.SMITH 2004/05/18	QUALITY SYMBOLS 0 0	GENERAL TOLERANCES (UNLESS SPECIFIED)	SCALE 8:1	DESIGN UNITS INCH	THIRD ANGLE PROJECTION	REVISE ON CAD ONLY		
		<table border="1"> <tr><th colspan="2">DIMENSION STYLE</th></tr> <tr><td>mm</td><td>INCH</td></tr> </table>	DIMENSION STYLE		mm	INCH	DRAWN BY GEP DATE 1987/09/17	CHECKED BY RW DATE 1987/09/17
DIMENSION STYLE								
mm	INCH							
DRAFT WHERE APPLICABLE MUST REMAIN WITHIN DIMENSIONS		APPROVED BY RAS DATE 1987/09/17	MATERIAL NO. SEE CHART		DOCUMENT NO. SD-1855-*	SHEET NO. 1 OF 1		
THIS DRAWING CONTAINS INFORMATION THAT IS PROPRIETARY TO MOLEX INCORPORATED AND SHOULD NOT BE USED WITHOUT WRITTEN PERMISSION								