

## Excellent Integrated System Limited

Stocking Distributor

Click to view price, real time Inventory, Delivery & Lifecycle Information:

[Molex Connector Corporation](#)

[0002066119](#)

For any questions, you can email us directly:

[sales@integrated-circuit.com](mailto:sales@integrated-circuit.com)

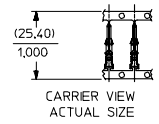
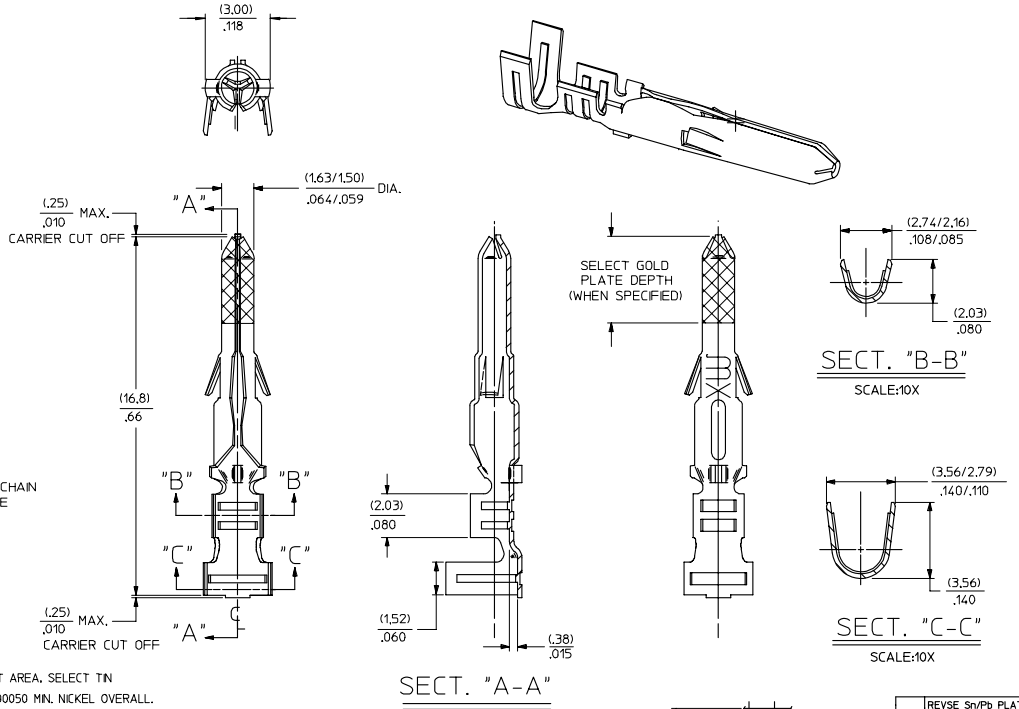
PART NO.	ENG. NO.
02-06-2101	1560-(P901)
02-06-2103	1560-(P901L)
02-06-6101	1560-(561)
02-06-6102	1560-(561L)
02-06-6118	1560-(228)
02-06-6119	1560-(228L)
02-06-6116	1560-(231)
02-06-6112	1560-(231L)
02-06-6100	1560-(550)
02-06-6103	1560-(550L)
02-06-6105	1560-(591)
02-06-6104	1560-(591L)

**LEGEND**

1560-(\*\*\*\*)\*  
 P-PREPLATE      FORM  
 BLANK+POSTPLATE      BLANK+CHAIN  
 FINISH CODE      L-LOOSE

**NOTES:**

- MATERIAL: BRASS
- FINISHES:
  - 901 HOT TIN DP (.00051/.00020 MIN.
  - \*228 SELECT GOLD PLATE (.00075/.00030 MIN. IN CONTACT AREA, SELECT TIN (.00250/.000100 MIN. IN CRMP AREA OVER (.00125/.000050 MIN. NICKEL OVERALL.
  - \*231 SELECT GOLD PLATE (.00125/.000050 MIN. IN CONTACT AREA, SELECT TIN (.00250/.000100 MIN. IN CRMP AREA OVER (.00125/.000050 MIN. NICKEL OVERALL.
  - 561 SELECT GOLD PLATE (.00076/.000030 MIN. IN CONTACT AREA, OVER (.00127/.000050 MIN. NICKEL OVERALL.
  - 591 SELECT GOLD PLATE (.00127/.000050 MIN. IN CONTACT AREA, OVER (.00127/.000050 MIN. NICKEL OVERALL WITH (.000025/.000010 MAX. GOLD FLASH OVERALL.
  - 550 SELECT GOLD PLATE (.00038/.000015 MIN. IN CONTACT AREA, OVER (.00076/.000030 MIN. NICKEL OVERALL WITH (.000025/.000010 MAX. GOLD FLASH OVERALL.
- THE PRIMARY SHIPPING CARTON WILL BE LABELED, "COMPLIANT TO RoHS DIRECTIVE" 2002/95/EC AND ELV ANNEX II OF DIRECTIVE 2000/53/EC", AND CARTONS WITHOUT THIS LABEL MAY CONTAIN PRODUCT WITH TIN-LEAD.
- PRODUCT SPECIFICATION: PS-02-06
- PACKAGING INFORMATION: NOT AVAILABLE
- TERMINAL FOR USE WITH (.157)/.062 DIA. SERIES HOUSINGS AND WILL ACCEPT 18 THRU 24 AWG WIRE.



AP	REVISE Sn/Pb PLATE REDRAWN TO ME10 UCP2004-2097 RHOLTS 5/07/04
AO	REINSTATE 02066105 UCP2003-922 ELHAG 03/02/24
AN	OBSOLETE P/N UCR1998-0248 CONSOLE 01/19/25
AM1	ADDED ISO VIEW UCR1998-0248 WANG 08-05-21
AM	REV. & REDRAWN PER ECR 10372 GEP 8-19-07 RW

REFER TO REVISION BLOCK EIC NO: 2004/05/14 DRAWN/RHOLTS 2004/05/14 CHKD: 2004/05/14 APPR: ESMITH 2004/05/18 DESCRIPTION	QUALITY SYMBOLS	GENERAL TOLERANCES (UNLESS SPECIFIED)	SCALE 8:1	DESIGN UNITS INCH	THIRD ANGLE PROJECTION	REVISE ON CAD ONLY															
		<table border="1"> <thead> <tr><th></th><th>mm</th><th>INCH</th></tr> </thead> <tbody> <tr><td>4 PLACES</td><td>±.005</td><td>±.002</td></tr> <tr><td>3 PLACES</td><td>±.010</td><td>±.004</td></tr> <tr><td>2 PLACES</td><td>±.025</td><td>±.010</td></tr> <tr><td>1 PLACE</td><td>±.035</td><td>±.014</td></tr> </tbody> </table>		mm	INCH	4 PLACES	±.005	±.002	3 PLACES	±.010	±.004	2 PLACES	±.025	±.010	1 PLACE	±.035	±.014	DIMENSION STYLE IN/MM	TITLE	CRIMP TERMINAL MALE .062 DIA. FOR 18-24 AWG WIRE	
		mm	INCH																		
	4 PLACES	±.005	±.002																		
3 PLACES	±.010	±.004																			
2 PLACES	±.025	±.010																			
1 PLACE	±.035	±.014																			
	DRAFT WHERE APPLICABLE MUST REMAIN WITHIN DIMENSIONS	APPROVED BY RAS	DATE 1987/08/19	MATERIAL NO.	DOCUMENT NO. SD-1560-*	SHEET NO. 1 OF 1															
		THIS DRAWING CONTAINS INFORMATION THAT IS PROPRIETARY TO MOLEX INCORPORATED AND SHOULD NOT BE USED WITHOUT WRITTEN PERMISSION																			