

Excellent Integrated System Limited

Stocking Distributor

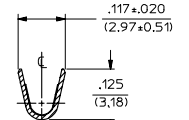
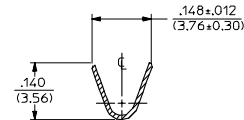
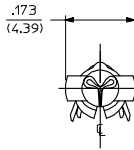
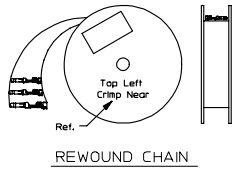
Click to view price, real time Inventory, Delivery & Lifecycle Information:

[Molex Connector Corporation](#)
[0002092127](#)

For any questions, you can email us directly:

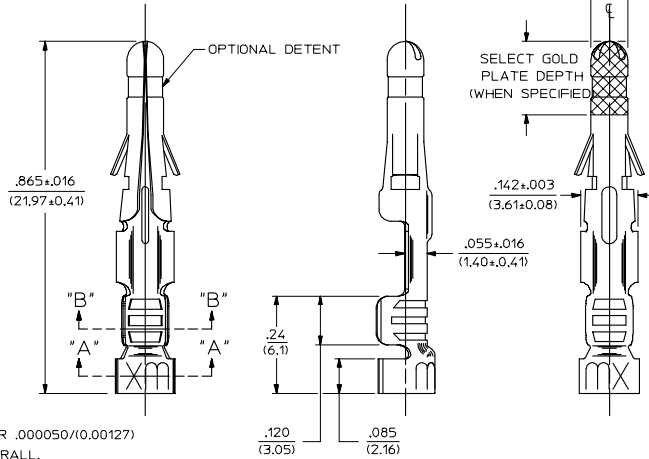
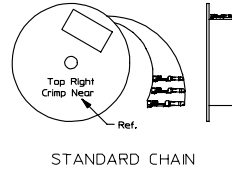
sales@integrated-circuit.com

| PART NO. | ENG. NO. |
|------------|---------------|
| 02-09-2118 | 1380-(P901)L |
| 02-09-2116 | 1380-(P901) |
| 02-09-2127 | 1380-(P901)1 |
| 02-09-6126 | 1380-(591)L |
| 02-09-6125 | 1380-(591) |
| 02-09-6123 | 1380-(550)L |
| 02-09-6122 | 1380-(550) |
| 02-09-2119 | 1380-A(P901)L |
| 02-09-2117 | 1380-A(P901) |



SECT. "A-A"

SECT. "B-B"



LEGEND

1380-*(*)***)*
 OPTIONAL DETENT
 BLANK = WITH DETENT
 A = WITHOUT DETENT

P = PREPLATE
 BLANK = POSTPLATE

FORM
 BLANK = STD. CHAIN
 A = REWOUND CHAIN
 L = LOOSE
 1 = STD. CHAIN WITH INTERLEAF PAPER

FINISH CODE
 (SEE NOTE 2)

NOTES:

- MATERIAL: BRASS
- FINISH:
 - 999 UNPLATED
 - 901 HOT TIN DIP .000020/(0.00051) MIN.
 - 591 SELECT GOLD PLATE .000050/(0.00127) MIN. IN CONTACT AREA, OVER .000050/(0.00127) MIN. NICKEL OVERALL WITH .000010/(0.00025) MAX. GOLD FLASH OVERALL.
 - 550 SELECT GOLD PLATE .000015/(0.00038) MIN. IN CONTACT AREA, OVER .000030/(0.00076) MIN. NICKEL OVERALL WITH .000010/(0.00025) MAX. GOLD FLASH OVERALL.
- PRODUCT SPECIFICATION: PS-02-09.
- PACKAGING INFORMATION: NOT AVAILABLE
- TERMINAL FOR USE WITH .093/(2.36) SERIES HOUSINGS AND WILL ACCEPT 18 THRU 22 AWG
- INSERTION FORCE: 3.5 LBS. MAX. WHEN TERMINAL IS INSERTED INTO AN .093 SERIES HOUSING.
- TERMINAL RETENTION: 20 LBS. MIN. FROM HOUSING.

| | | | | | | | |
|--|-------------------------------|--|----------------------|---|-------------------|---|------------------------|
| REVISED/REDRAWN EC NO: UCP2004-2354 DRM/HOLTS 2005/07/20 CHKD-FSMITH 2005/07/20 APPR-FSMITH 2005/07/20 | QUALITY SYMBOLS ▽-0 ▽-0 | GENERAL TOLERANCES (UNLESS SPECIFIED) | | SCALE 6:1 | DESIGN UNITS INCH | THIRD ANGLE PROJECTION | REVISE ON CAD ONLY |
| | | mm | INCH | DIMENSION STYLE IN/MM | | TITLE | |
| | | 4 PLACES ±.005 ±.005 | 3 PLACES ±.010 ±.010 | DRAWN BY GEP | DATE 1987/11/06 | CRIMP TERMINAL .093 DIA., MALE FOR 18 THRU 22 AWG. WIRE | |
| | | 2 PLACES ±0.25 ±.14 | 1 PLACE ±0.35 ±.22 | CHECKED BY RW | DATE 1987/11/06 | MOLEX INCORPORATED | |
| | | ANGULAR ±1/2° | | APPROVED BY RAS | DATE 1987/11/06 | MATERIAL NO. SEE CHART | DOCUMENT NO. SD-1380-* |
| | | DRAFT WHERE APPLICABLE MUST REMAIN WITHIN DIMENSIONS | | THIS DRAWING CONTAINS INFORMATION THAT IS PROPRIETARY TO MOLEX INCORPORATED AND SHOULD NOT BE USED WITHOUT WRITTEN PERMISSION | | SHEET NO. 1 OF 1 | |