

## Excellent Integrated System Limited

Stocking Distributor

Click to view price, real time Inventory, Delivery & Lifecycle Information:

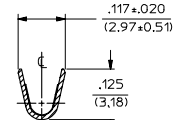
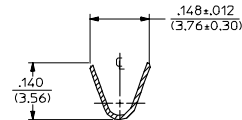
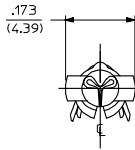
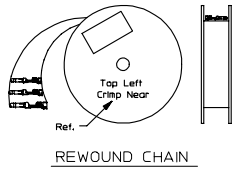
[Molex Connector Corporation](#)

[0002096125](#)

For any questions, you can email us directly:

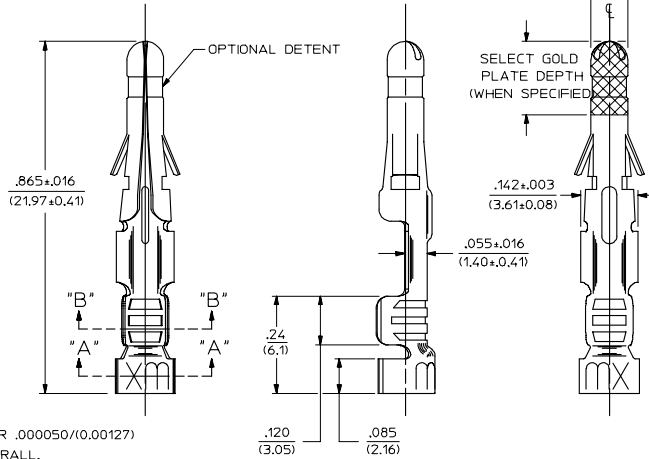
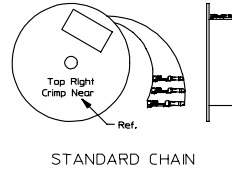
[sales@integrated-circuit.com](mailto:sales@integrated-circuit.com)

PART NO.	ENG. NO.
02-09-2118	1380-(P901)L
02-09-2116	1380-(P901)
02-09-2127	1380-(P901)1
02-09-6126	1380-(591)L
02-09-6125	1380-(591)
02-09-6123	1380-(550)L
02-09-6122	1380-(550)
02-09-2119	1380-A(P901)L
02-09-2117	1380-A(P901)



SECT. "A-A"

SECT. "B-B"



**LEGEND**

1380-\*(\*)\*\*\*)\*  
 OPTIONAL DETENT  
 BLANK = WITH DETENT  
 A = WITHOUT DETENT

P = PREPLATE  
 BLANK = POSTPLATE

FORM  
 BLANK = STD. CHAIN  
 A = REWOUND CHAIN  
 L = LOOSE  
 1 = STD. CHAIN WITH INTERLEAF PAPER

FINISH CODE  
 (SEE NOTE 2)

**NOTES:**

- MATERIAL: BRASS
- FINISH:
  - 999 UNPLATED
  - 901 HOT TIN DIP .000020/(0.00051) MIN.
  - 591 SELECT GOLD PLATE .000050/(0.00127) MIN. IN CONTACT AREA, OVER .000050/(0.00127) MIN. NICKEL OVERALL WITH .000010/(0.00025) MAX. GOLD FLASH OVERALL.
  - 550 SELECT GOLD PLATE .000015/(0.00038) MIN. IN CONTACT AREA, OVER .000030/(0.00076) MIN. NICKEL OVERALL WITH .000010/(0.00025) MAX. GOLD FLASH OVERALL.
- PRODUCT SPECIFICATION: PS-02-09.
- PACKAGING INFORMATION: NOT AVAILABLE
- TERMINAL FOR USE WITH .093/(2.36) SERIES HOUSINGS AND WILL ACCEPT 18 THRU 22 AWG
- INSERTION FORCE: 3.5 LBS. MAX. WHEN TERMINAL IS INSERTED INTO AN .093 SERIES HOUSING.
- TERMINAL RETENTION: 20 LBS. MIN. FROM HOUSING.

REVISED/REDRAWN EC NO: UCP2004-2354 DRM/HOLTS 2005/07/20 CHKD-FSMITH 2005/07/20 APPR-FSMITH 2005/07/20	QUALITY SYMBOLS ▽-0 ▽-0	GENERAL TOLERANCES (UNLESS SPECIFIED)		SCALE 6:1	DESIGN UNITS INCH	THIRD ANGLE PROJECTION	REVISE ON CAD ONLY
		mm	INCH	DIMENSION STYLE IN/MM		TITLE	
		4 PLACES ±.005 ±.010		DRAWN BY DATE GEP 1987/11/06		CRIMP TERMINAL .093 DIA., MALE FOR 18 THRU 22 AWG. WIRE	
		3 PLACES ±.010 ±.015		CHECKED BY DATE RW 1987/11/06		MATERIAL NO. MOLEX INCORPORATED	
		2 PLACES ±.025 ±.035		APPROVED BY DATE RAS 1987/11/06		DOCUMENT NO. SD-1380-*	
		1 PLACE ±.035 ±.045		DRAFT WHERE APPLICABLE MUST REMAIN WITHIN DIMENSIONS		SHEET NO. 1 OF 1	
BV		REV		THIS DRAWING CONTAINS INFORMATION THAT IS PROPRIETARY TO MOLEX INCORPORATED AND SHOULD NOT BE USED WITHOUT WRITTEN PERMISSION			