

Excellent Integrated System Limited

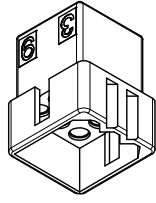
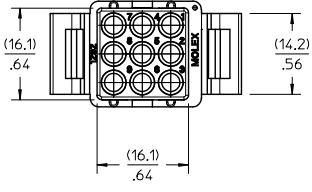
Stocking Distributor

Click to view price, real time Inventory, Delivery & Lifecycle Information:

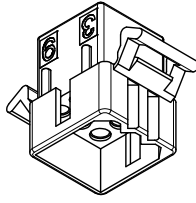
[Molex Connector Corporation](#)
[0003091093](#)

For any questions, you can email us directly:

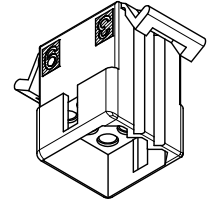
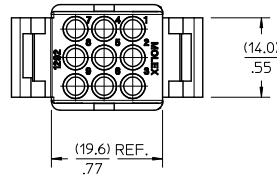
sales@integrated-circuit.com



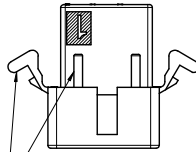
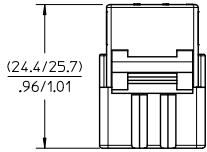
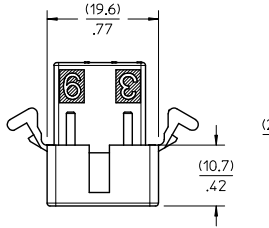
PLUG
1292-P1 SHOWN



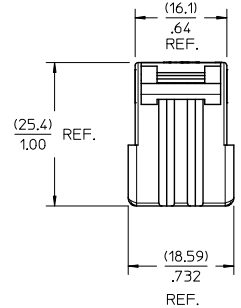
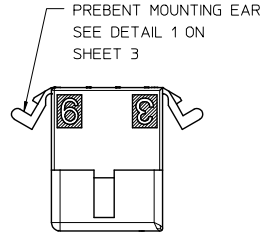
PLUG
1292-P2 SHOWN (WITH
RIBS & PREBENT EARS)



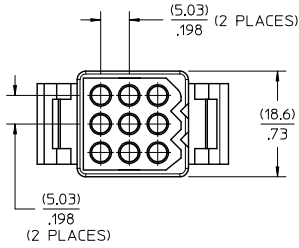
PLUG
1292-P SHOWN
(WITH BOTTOM MOUNT PREBENT EARS)



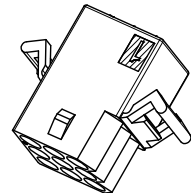
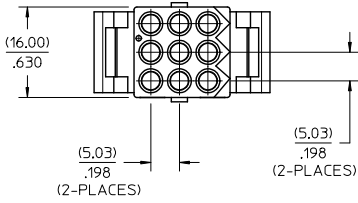
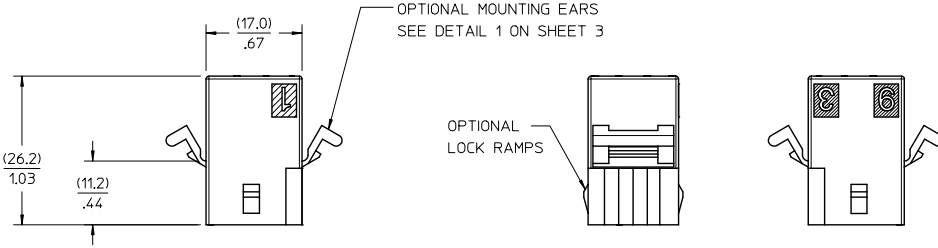
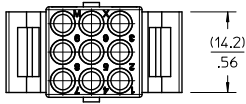
MOUNTING EARS AND
RIBS OPTION (SEE DETAIL 1 & NOTE 6
ON SHEET 3)



BOTTOM MOUNT PREBENT EAR OPTION



ADD SHEETS 2-3 EC NO: UCP2014-3075 DRAWN BY: 2014/01/27 CHKD: BELL 2014/01/27 APPR: SMITH 2014/02/14 W REV	QUALITY SYMBOLS	GENERAL TOLERANCES (UNLESS SPECIFIED)	DIMENSION STYLE	SCALE	DESIGN UNITS	THIRD ANGLE PROJECTION
	□ = 0 □ = 0 □ = 0	mm INCH 4 PLACES ± --- ± .010 3 PLACES ± --- ± .014 2 PLACES ± 0.25 ± --- 1 PLACE ± 0.35 ± --- ANGULAR ± 1/2°	MM/IN	2:1	INCH	TITLE .093/(2.36) HOUSING, PLUG 9 CKT. .198/(5.03) CTRS
	DESCRIPTION	DRAFT WHERE APPLICABLE MUST REMAIN WITHIN DIMENSIONS	SEE CHART	APPROVED BY: SMITH DATE: 2011/09/12	MOLEX MOLEX INCORPORATED	DOCUMENT NO. SD-1292-0001
	REV	SIZE C	THIS DRAWING CONTAINS INFORMATION THAT IS PROPRIETARY TO MOLEX INCORPORATED AND SHOULD NOT BE USED WITHOUT WRITTEN PERMISSION	MATERIAL NO.	SHEET NO. 1 OF 3	



RECEPTACLE
1292-R SHOWN
(WITH PREBENT MOUNTING EARS & LOCK RAMPS)

SEE SHEET 1 EC NO: UCP2074-3075 DRAWN BY: 2011/07/21 CHKD: BELL 2011/07/21 APPR: SMITH 2011/07/21 W	QUALITY SYMBOLS ∇=0 ∇=0 ∇=0	GENERAL TOLERANCES (UNLESS SPECIFIED)		DIMENSION STYLE MM/IN		SCALE 2:1	DESIGN UNITS INCH	THIRD ANGLE PROJECTION		
		4 PLACES ± --- ± .010	3 PLACES ± --- ± .014	2 PLACES ± 0.25 ± ---	1 PLACE ± 0.35 ± ---	DRAWN BY C STEWART	DATE 2011/07/21	TITLE .093/(2.36) HOUSING, PLUG 9 CKT. .198/(5.03) CTRS		
		ANGULAR ± 1/2°				APPROVED BY F SMITH	DATE 2011/09/12	MOLEX INCORPORATED		
		DRAFT WHERE APPLICABLE MUST REMAIN WITHIN DIMENSIONS		SEE CHART		MATERIAL NO. SD-1292-0001	DOCUMENT NO.	SHEET NO. 2 OF 3		

PLUG	
PART NO.	ENG. NO.
03-09-2091	1292-P
03-09-2092	1292-P1
03-09-7091	1292-PBK
03-09-7092	1292-P1BK
NOT TOOLED	1292-P2
27-09-2092	1292-P1-A

RECEPTACLE	
PART NO.	ENG. NO.
03-09-1091	1292-R
03-09-1092	1292-R1
03-09-6091	1292-RBK
03-09-6092	1292-R1BK
03-09-1093	1292-R2
03-09-6093	1292-R2BK
03-09-1094	1292-R3
03-09-6094	1292-R3BK
27-09-1093	1292-R2-A

LEGEND: PLUG

1292-P * * * * *

P = PLUG

BLANK = WITH PREBENT BOTTOM MOUNT EARS

1 = WITHOUT EARS

2 = PLUG WITH PREBENT EARS & RIBS

COLOR: BLANK=NATURAL COLOR

AM=AMBER BK=BLACK BU=BLUE
 BN=BROWN GY=GRAY GN=GREEN
 OR=ORANGE RD=RED YW=YELLOW

MATERIAL: BLANK = NYLON 6/6, U.L. 94V-2
 A = NYLON 6/6, U.L. 94V-0

LEGEND: RECEPTACLE

1292-R * * * * *

R = RECEPTACLE

BLANK = WITH PREBENT EARS, WITH LOCK RAMPS

1 = WITH PREBENT EARS, WITHOUT LOCK RAMPS

2 = WITHOUT EARS, WITHOUT LOCK RAMPS

3 = WITHOUT EARS, WITH LOCK RAMPS

COLOR: BLANK=NATURAL COLOR

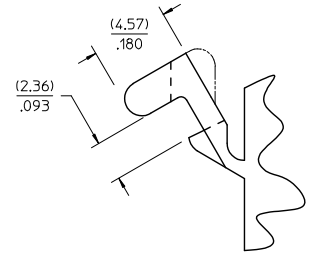
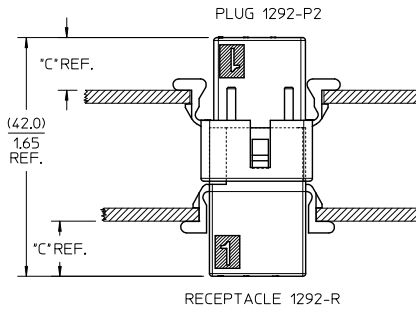
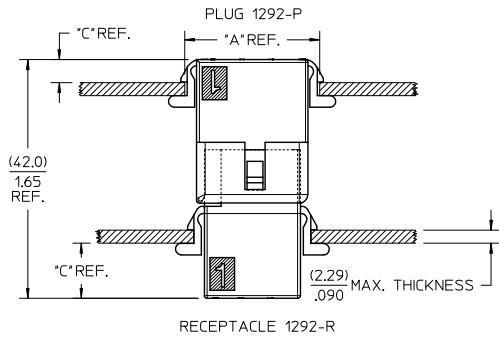
AM=AMBER BK=BLACK BU=BLUE
 BN=BROWN GY=GRAY GN=GREEN
 OR=ORANGE RD=RED YW=YELLOW

MATERIAL: BLANK = NYLON 6/6, U.L. 94V-2
 A = NYLON 6/6, U.L. 94V-0

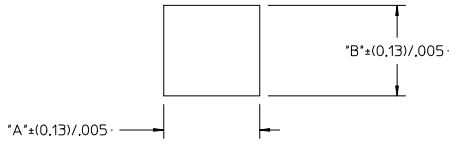
NOTES:

1. MATERIAL: SEE LEGEND
2. FINISH: N/A
3. THESE PARTS COMPLY WITH MOLEX PRODUCT SPEC. PS-02-09.
4. PACKAGING: PK-1292-001
5. HOUSINGS FOR USE WITH MOLEX .093/(2.36) PIN AND SOCKET TERMINALS.
6. RIBS ARE PRESENT ONLY ON PLUG 1292-P2.

HOUSING	DIM. "A"	DIM. "B"	DIM. "C"
STD. PLUG	(23.62)/.930	(19.30)/.760	(9.91)/.39
BOTTOM MOUNT PLUG	(23.80)/.937	(16.76)/.660	(4.11)/.16
RECEPTACLE	(21.03)/.828	(18.42)/.725	(10.41)/.41



DETAIL 1
 .093/(2.36) PREBENT MOUNTING EAR

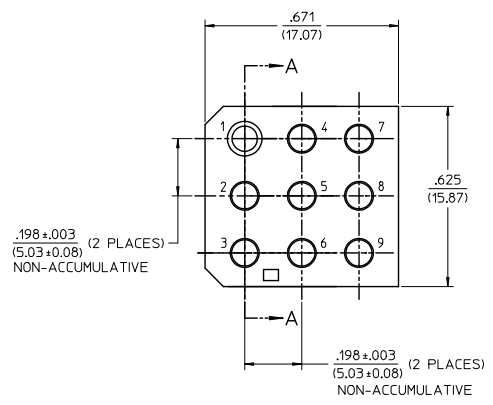
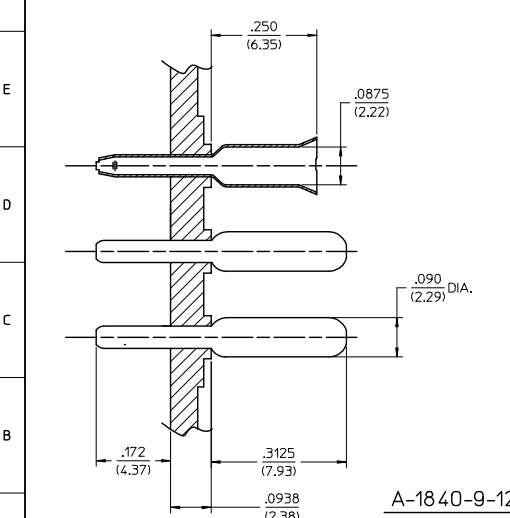
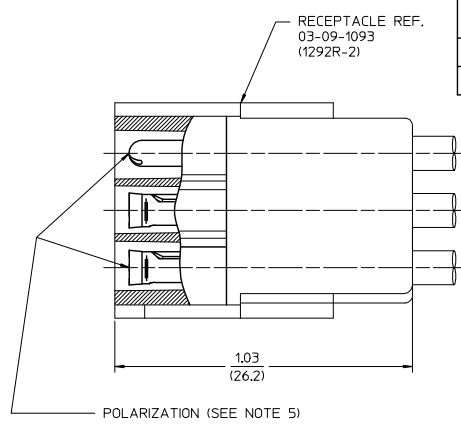
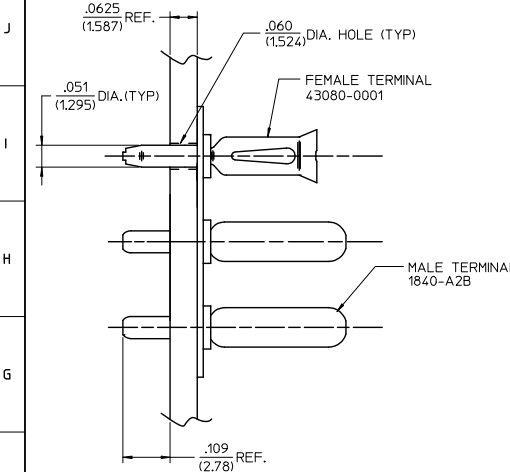


DETAIL 2
 PANEL CUTOUT VIEW

SEE SHEET 1 EC NO: UCP2014-3075 DRAWN BY: 2014/01/27 CHKD: BELL 2014/01/27 APPR: SMITH 2014/02/14	QUALITY SYMBOLS ∇=0 ∇=0 ∇=0	GENERAL TOLERANCES (UNLESS SPECIFIED)	DIMENSION STYLE MM/IN	SCALE 2:1	DESIGN UNITS INCH	THIRD ANGLE PROJECTION																	
		<table border="1"> <thead> <tr> <th></th> <th>mm</th> <th>INCH</th> </tr> </thead> <tbody> <tr> <td>4 PLACES</td> <td>± .010</td> <td>± .010</td> </tr> <tr> <td>3 PLACES</td> <td>± .014</td> <td>± .014</td> </tr> <tr> <td>2 PLACES</td> <td>± 0.25</td> <td>± .010</td> </tr> <tr> <td>1 PLACE</td> <td>± 0.35</td> <td>± .010</td> </tr> <tr> <td>0 PLACE</td> <td>±</td> <td>±</td> </tr> </tbody> </table>		mm	INCH	4 PLACES	± .010	± .010	3 PLACES	± .014	± .014	2 PLACES	± 0.25	± .010	1 PLACE	± 0.35	± .010	0 PLACE	±	±	DRAWN BY: C STEWART DATE: 2011/07/21 CHECKED BY: DATE:	TITLE .093/(2.36) HOUSING, PLUG 9 CKT. .198/(5.03) CTRS	MATERIAL NO. SEE CHART
	mm	INCH																					
4 PLACES	± .010	± .010																					
3 PLACES	± .014	± .014																					
2 PLACES	± 0.25	± .010																					
1 PLACE	± 0.35	± .010																					
0 PLACE	±	±																					
DRAFT WHERE APPLICABLE MUST REMAIN WITHIN DIMENSIONS		THIS DRAWING CONTAINS INFORMATION THAT IS PROPRIETARY TO MOLEX INCORPORATED AND SHOULD NOT BE USED WITHOUT WRITTEN PERMISSION																					

13 12 11 10 9 8 7 6 5 4 3 2 1

PART NO.	ENG. NO.	TERMINAL PATTERN								
		1	2	3	4	5	6	7	8	9
09-18-5094	A-1840-9-12	F	M	M	M	M	M	M	M	M
09-18-5098	A-1840-9-5	F	M	M	M	M	M	F	M	M



- NOTES:
- MATERIAL:
BASE AND RECEPTACLE: NYLON PA66, UL94V-0, COLOR: NATURAL
TERMINALS: MALE - BRASS ALLOY
FEMALE - PHOSPHOR BRONZE ALLOY
 - FINISH:
MALE TERMINALS: .000200/0.00508 MIN. TIN OVER
.000100/0.00254 MIN. COPPER
FEMALE TERMINALS: .000050/0.00127 MIN. TIN OVER
.000050/0.00127 MIN. NICKEL
 - PRODUCT SPECIFICATION: N/A
 - PACKAGING SPECIFICATION: PK-1840-001
 - POLARIZATION ACCOMPLISHED THROUGH AN INTER-MIX OF MALE AND FEMALE TERMINALS. (MOLEX .093 TERMINALS)
 - TERMINAL PATTERN CODE:
A) M = MALE TERMINALS
B) F = FEMALE TERMINALS
C) B = NO TERMINALS
 - PARTS TO BE MOUNTED ON SUPPORTED EDGE OF P.C. BOARD.

SCALE: 4:1

ADD PKG SPECS EC NO: UCP2013-4695 DRAWN BY: 2013/05/01 CHKD: BELL 2013/05/01 APPROV: SMITH 2013/05/13 DESCRIPTION: REV:	QUALITY SYMBOLS	GENERAL TOLERANCES (UNLESS SPECIFIED)	DIMENSION STYLE	SCALE	DESIGN UNITS	THIRD ANGLE PROJECTION
	▽=0	mm INCH	IN/MM	6:1	INCH	
	▽=0	4 PLACES ± --- ± ---	DRAWN BY DATE	EWC 1974/04/30	CONNECTOR PC BOARD WAFERCON 9 CIRCUIT	
	▽=0	3 PLACES ± --- ± .005	CHECKED BY DATE	JBELL 2013/05/01	MOLEX INCORPORATED	
	2 PLACES ± 0.13 ± .010	APPROVED BY DATE	FSMITH 2011/09/14	MATERIAL NO.	DOCUMENT NO.	SHEET NO.
	1 PLACE ± 0.25 ± ---			SEE CHART	SDA-1840-9-*	1 OF 1
	ANGULAR ± 1/2°	DRAFT WHERE APPLICABLE MUST REMAIN WITHIN DIMENSIONS	THIS DRAWING CONTAINS INFORMATION THAT IS PROPRIETARY TO MOLEX INCORPORATED AND SHOULD NOT BE USED WITHOUT WRITTEN PERMISSION			