

Excellent Integrated System Limited

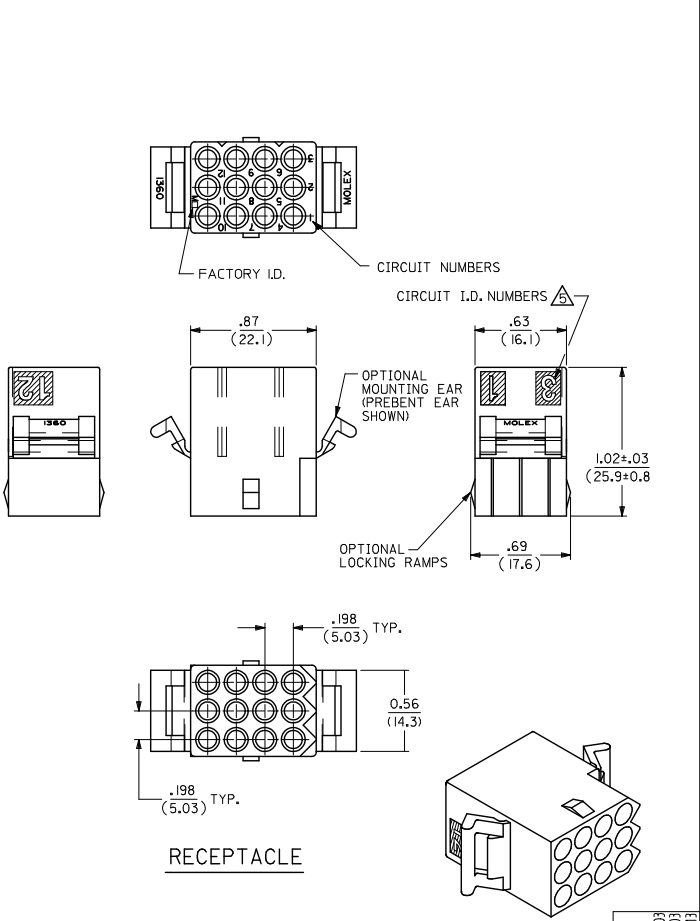
Stocking Distributor

Click to view price, real time Inventory, Delivery & Lifecycle Information:

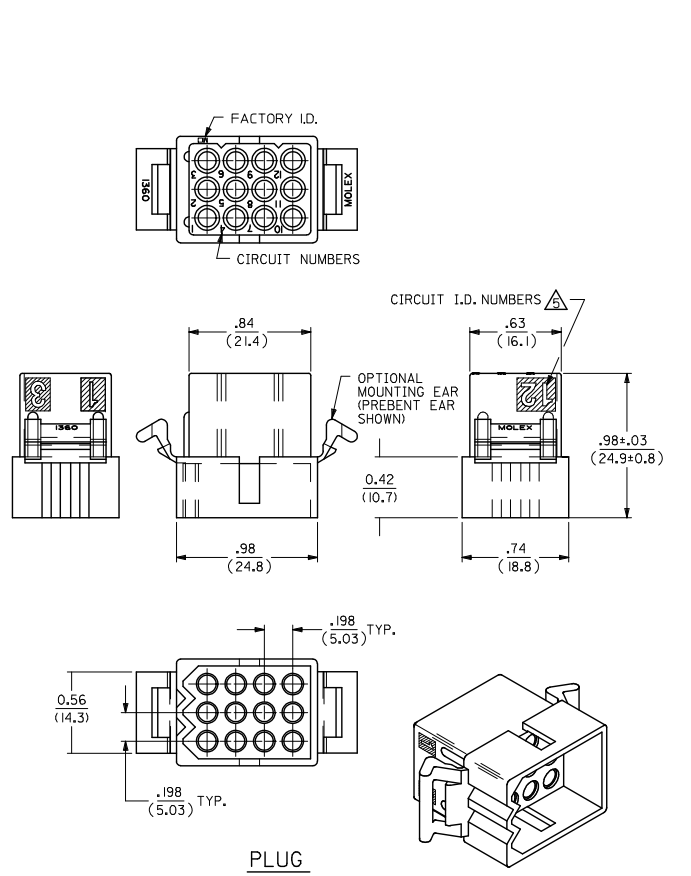
[Molex Connector Corporation](#)
[0003091122](#)

For any questions, you can email us directly:

sales@integrated-circuit.com



RECEPTACLE



PLUG

| | | | | | | |
|--|--|---------------------------------------|---|---|--------------|------------------------|
| OBsolete 1360-R1* DEC NO: UCP2015-1650 DRAWN: JDFUX 2014/11/03 CHECKER: KIPER 2014/11/03 APPROVER: SMITH 2014/11/13 DESCRIPTION: | QUALITY SYMBOLS | GENERAL TOLERANCES (UNLESS SPECIFIED) | DIMENSION STYLE | SCALE | DESIGN UNITS | THIRD ANGLE PROJECTION |
| | | mm INCH | IN/MM | 2:1 | INCH | |
| | ▽=0 | 4 PLACES ± --- ± --- | DRAWN BY DATE | TITLE | | |
| | ▽=0 | 3 PLACES ± --- ± .010 | KBW 3/1/89 | .093(12.36) HOUSINGS PLUG AND RECEPTACLE 12 CKT, .198(5.03)CTR. | | |
| ▽=0 | 2 PLACES ± 0.25 ± .014 | CHECKED BY DATE | molex DOCUMENT NO. SD-1360-* SHEET NO. 1 OF 2 | | | |
| ▽=0 | 1 PLACE ± 0.35 ± --- | RW 3/1/89 | | | | |
| ▽=0 | 0 PLACE ± --- ± --- | APPROVED BY DATE | THIS DRAWING CONTAINS INFORMATION THAT IS PROPRIETARY TO MOLEX INCORPORATED AND SHOULD NOT BE USED WITHOUT WRITTEN PERMISSION | | | |
| 0 | ANGULAR ± 2 ° | FSMITH 2014/11/13 | MATERIAL NO. SEE CHART | | | |
| 0 | DRAFT WHERE APPLICABLE MUST REMAIN WITHIN DIMENSIONS | | SIZE C | | | |

