

## Excellent Integrated System Limited

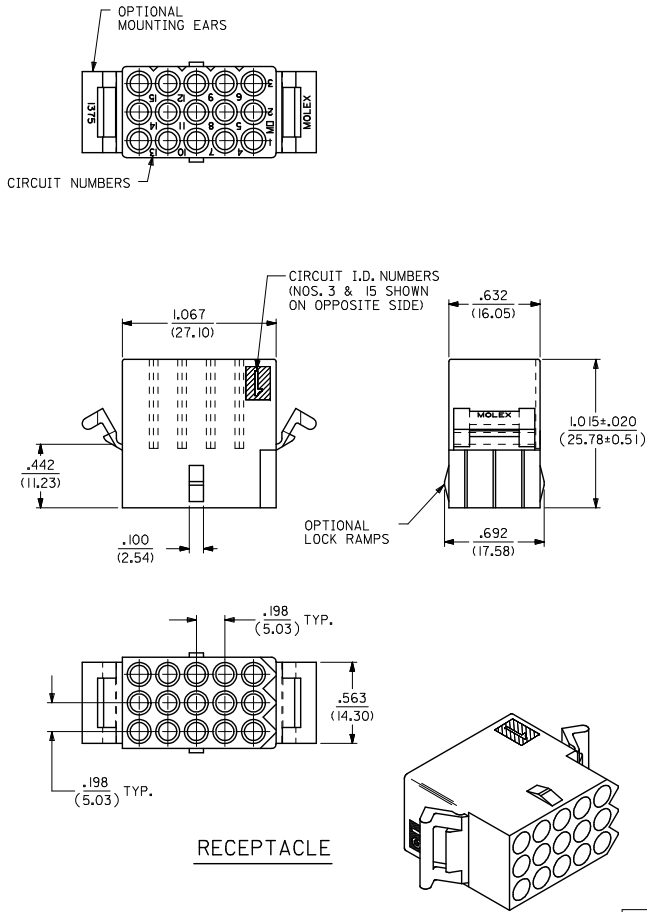
Stocking Distributor

Click to view price, real time Inventory, Delivery & Lifecycle Information:

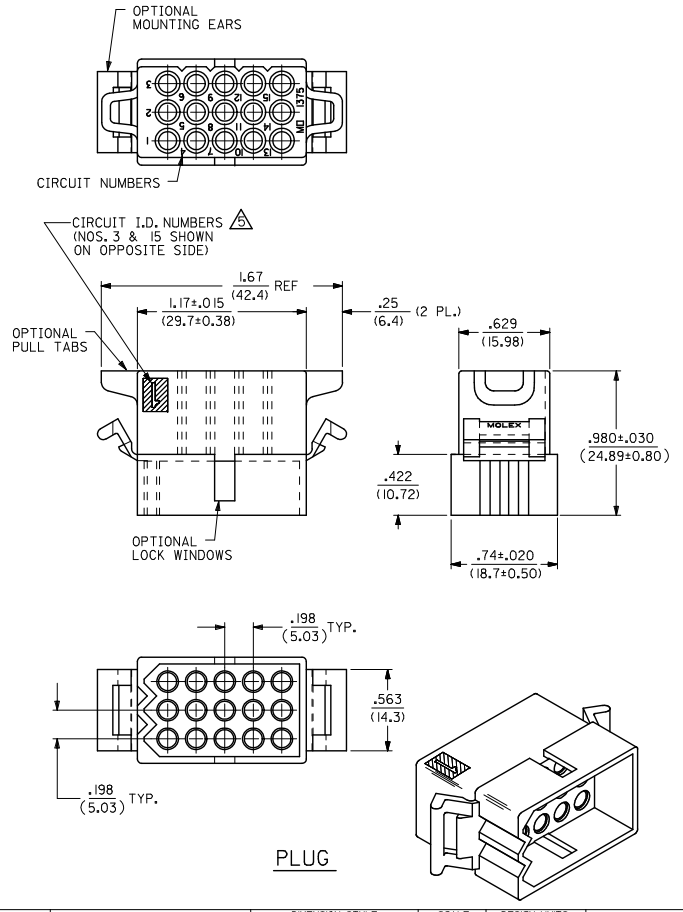
[Molex Connector Corporation](#)  
[0003091152](#)

For any questions, you can email us directly:

[sales@integrated-circuit.com](mailto:sales@integrated-circuit.com)



RECEPTACLE



PLUG

<b>REMOVE 1375-R6</b> REC NO: UCP2015-5225 DRAWN: JONIT 2015/06/11 CHECKED: TAPER 2015/06/11 APPROVED: SMITH 2015/06/19 DESCRIPTION:	QUALITY SYMBOLS	GENERAL TOLERANCES (UNLESS SPECIFIED)	DIMENSION STYLE	SCALE	DESIGN UNITS	THIRD ANGLE PROJECTION
	▽=0	mm INCH	IN/MM	2:1	INCH	☉
	▽=0	4 PLACES ± --- ± ---	DRAWN BY DATE	TITLE	.093/(2.36) HOUSINGS PLUG & RECEPTACLE 15 CIRCUIT, .198/(5.03)CL	
	▽=0	3 PLACES ± --- ± ---	KBW 01/14/1989			
REV	DESCRIPTION	1 PLACES ± 0.25 ± .014	CHECKED BY DATE	SD-1375-* SHEET NO. 1 OF 2		
		2 PLACES ± 0.35 ± ---	APPROVED BY DATE	THIS DRAWING CONTAINS INFORMATION THAT IS PROPRIETARY TO MOLEX INCORPORATED AND SHOULD NOT BE USED WITHOUT WRITTEN PERMISSION		
		0 PLACE ± --- ± ---	FSMITH 2015/06/19	MATERIAL NO. DOCUMENT NO.		
		ANGULAR ±1/2°		SEE CHART		
		DRAFT WHERE APPLICABLE MUST REMAIN WITHIN DIMENSIONS		SIZE C		

PLUG			RECEPTACLE		
ORDER NO	ENG NO	PACKAGING	ORDER NO	ENG NO	PACKAGING
03-09-2151	I375-P	PK-1375-001	03-09-1151	I375-R	PK-1375-001
03-09-2159	I375-P4	PK-1375-002	03-09-1152	I375-R1	PK-1375-001
03-09-2158	I375-P7	PK-1375-001	03-09-1157	I375-R6-1	PK-1375-001
			03-09-1153	I375-R2	PK-1375-001

LEGEND FOR PLUG:

OPTIONS:

- BLANK = W/O EARS, W/ PULL TABS, W/O LOCK WINDOWS
- 2 = W/ STANDARD EARS, W/O PULL TABS, W/O LOCK WINDOWS
- 4 = W/ PREBENT EARS, W/O PULL TABS, W/ LOCK WINDOWS
- 6 = W/O EARS, W/O PULL TABS, W/ LOCK WINDOWS
- 7 = W/O EARS, W/ PULL TABS, W/ LOCK WINDOWS
- 8 = W/ PREBENT EARS, W/O PULL TABS, W/O LOCK WINDOWS

COLOR:

- BLANK = NATURAL COLOR
- AM = AMBER BK = BLACK BU = BLUE
- BN = BROWN GY = GRAY GN = GREEN
- OR = ORANGE RD = RED YW = YELLOW

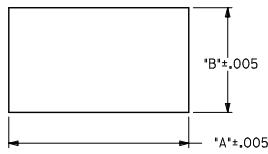
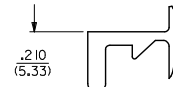
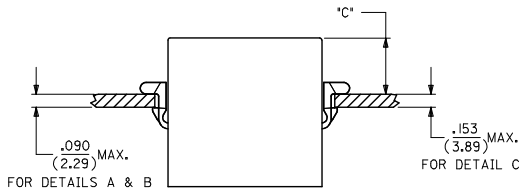
LEGEND FOR RECEPTACLE:

OPTIONS:

- BLANK = W/ PREBENT EARS, W/O LOCK RAMPS
- 1 = W/O EARS, W/O LOCK RAMPS
- 2 = W/PREBENT EARS, W/LOCK RAMPS
- 6-1 = W/O EARS, W/ LOCK RAMPS

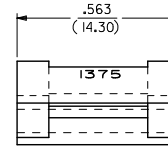
COLOR:

- BLANK = NATURAL COLOR
- AM = AMBER BK = BLACK BU = BLUE
- BN = BROWN GY = GRAY GN = GREEN
- OR = ORANGE RD = RED YW = YELLOW



RECOMMENDED PANEL OPENING

HOUSING	DIM. "A"	DIM. "B"	"C" PREBENT EAR	"C" STANDARD EAR	"C" SPECIAL EAR
PLUG	1.343/(34.11)	.760/(19.30)	.40/(10.2)	.36/(9.1)	
RECEPT. W/ RAMPS	1.240/(31.50)	.725/(18.42)	.41/(10.4)	.37/(9.4)	.31/(7.8)
RECEPT. W/O RAMPS	1.240/(31.50)	.655/(16.64)	.41/(10.4)	.37/(9.4)	.31/(7.8)



DETAIL B

.093/(2.36)PREBENT MOUNTING EAR (SCALE 4:1)

NOTES :

1. MATERIAL : NYLON TYPE 6/6, 94V-2.
2. FINISH : NONE.
3. PRODUCT SPECIFICATION : PS-02-09.
4. PACKAGING INFORMATION : SEE CHART.
5. ETCHED CIRCUIT I.D. NUMBERS ON SIDE OF HOUSINGS TO BE PRESENT ON PARTS FROM TOOLS BUILT AFTER 2/28/94.
6. PARTS CONFORM TO CLASS B REQUIREMENTS OF COSMETIC SPECIFICATION PS-45499-002.

SEE SHEET 1 REC NO: UCP2015-5225 2015/06/11 DRAWN: JOMIT 2015/06/11 CHKD: KATIPER 2015/06/11 APPROV: SMITH 2015/06/19	QUALITY SYMBOLS ∇=0 ∇=0 ∇=0	GENERAL TOLERANCES (UNLESS SPECIFIED) mm INCH 4 PLACES ± --- ± --- 3 PLACES ± --- ± .010 2 PLACES ± 0.25 ± .014 1 PLACE ± 0.35 ± --- 0 PLACE ± --- ± ---	DIMENSION STYLE IN/MM DRAWN BY DATE KBW 01/14/1989 CHECKED BY DATE RW 01/14/1989 APPROVED BY DATE F SMITH 2015/06/19	SCALE 1:1 DESIGN UNITS INCH THIRD ANGLE PROJECTION	TITLE .093/(2.36) HOUSINGS PLUG & RECEPTACLE 15 CIRCUIT, 198/(5.03)CL
		ANGULAR ± 1/2° DRAFT WHERE APPLICABLE MUST REMAIN WITHIN DIMENSIONS	MATERIAL NO. SEE CHART	DOCUMENT NO. SD-1375-*	SHEET NO. 2 OF 2
		THIS DRAWING CONTAINS INFORMATION THAT IS PROPRIETARY TO MOLEX INCORPORATED AND SHOULD NOT BE USED WITHOUT WRITTEN PERMISSION			
		SIZE C			