

Excellent Integrated System Limited

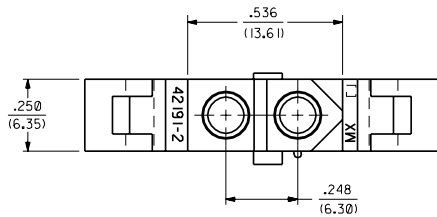
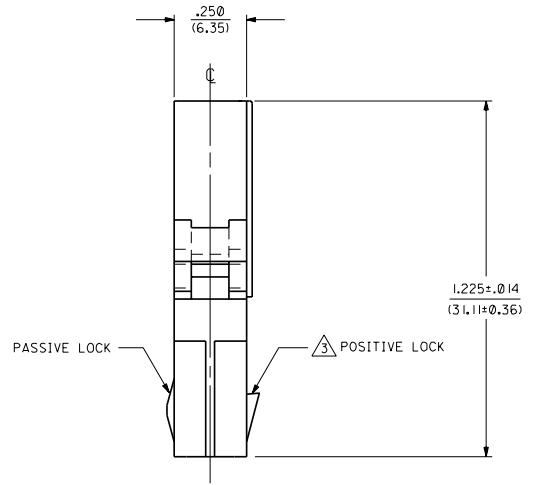
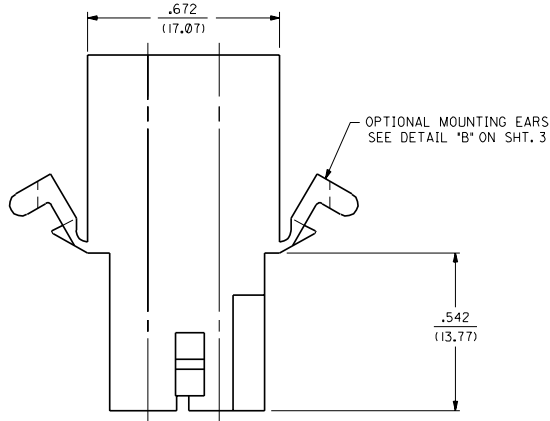
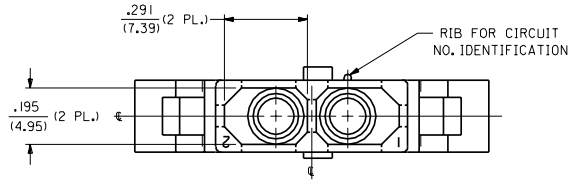
Stocking Distributor

Click to view price, real time Inventory, Delivery & Lifecycle Information:

[Molex Connector Corporation](#)
[0003091162](#)

For any questions, you can email us directly:

sales@integrated-circuit.com



RECEPTACLE HOUSING

D		SEE SHT. 1
C		SEE SHT. 1
A		SEE SHT. 1
I		SEE SHT. 1

LTR.	REVISIONS	LTR.	REVISIONS
------	-----------	------	-----------

DIMENSIONS SHOWN METRIC INCH UNLESS OTHERWISE SPECIFIED TOLERANCES UNLESS OTHERWISE SPECIFIED	
3 PLACE ± .010	---
2 PLACE ± .014	± 0.25
1 PLACE ---	± 0.36

DRAWING INFORMATION	
DRG. NO. 542191-2	REV. 1
APP'D. BY RAS	SCALE 4 : 1

REVISIONS	
REV. NO.	DATE
2	12/18/87

MOLEX INCORPORATED	
FILE NAME 542191-2	DATE 12/18/87
THIS DRAWING CONTAINS INFORMATION THAT IS PROPRIETARY TO MOLEX INC. AND SHOULD NOT BE USED WITHOUT WRITTEN PERMISSION.	CP C

PLUG

PART NO.	ENG. NO.	OBSOLETE
03-09-2160	42191-2P	YES
03-09-2161	42191-2P1	
03-09-4161	42191-2P1RD	
03-09-4162	42191-2P1BU	
03-09-4163	42191-2P1GN	

LEGEND: PLUG

42191-2P***

CIRCUIT SIZE
P = PLUG
BLANK = WITH PREBENT EARS
I = WITHOUT EARS
BLANK = NATURAL COLOR
AM=AMBER BK=BLACK BU=BLUE
BN=BROWN GY=GRAY GN=GREEN
OR=ORANGE RD=RED YW=YELLOW
BLANK = MATERIAL CODE A

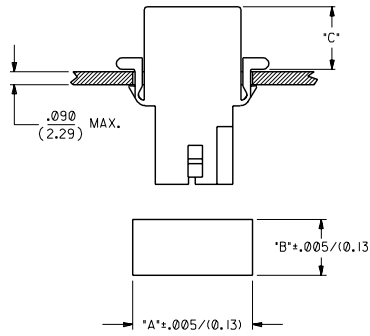
LEGEND: RECEPTACLE

42191-2R***

CIRCUIT SIZE
R = RECEPTACLE
BLANK = WITH PREBENT EARS, POSITIVE LOCK
1 = WITHOUT EARS, POSITIVE LOCK
2 = WITH PREBENT EARS, PASSIVE LOCK
3 = WITHOUT EARS, PASSIVE LOCK
BLANK = NATURAL COLOR
AM=AMBER BK=BLACK BU=BLUE
BN=BROWN GY=GRAY GN=GREEN
OR=ORANGE RD=RED YW=YELLOW
BLANK = MATERIAL CODE A

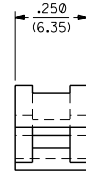
RECEPTACLE

PART NO.	ENG. NO.	OBSOLETE
03-09-1160	42191-2R	YES
03-09-1161	42191-2R1	
03-09-1162	42191-2R2	
03-09-1163	42191-2R3	
03-09-3161	42191-2R1RD	
03-09-3162	42191-2R1BU	
03-09-3163	42191-2R1GN	



RECOMMENDED PANEL MOUNTING HOLE

HOUSING	DIM. "A"	DIM. "B"	DIM. "C"
PLUG	.831/(21.11)	.385/(9.78)	.44/(11.2)
RECEPTACLE	.831/(21.11)	.335/(8.51)	.46/(11.7)



DETAIL "A"
PREBENT MOUNTING EAR
SCALE 4:1

NOTES:

- MATERIAL CODES:
A = NYLON TYPE 6/6, 94V-2
- PART ACCEPTS DOUBLE WIRE CRIMPS OF 18 AWG MAXIMUM. EACH CIRCUIT WILL ALLOW ONE OF THE WIRES TO HAVE AN INSULATION THICKNESS OF .062/(1.57), THE OTHER HAVING AN INSULATION THICKNESS OF .031/(0.79).
- LOCK RAMP STYLE IS OPTIONAL ON THIS SIDE OF PART. CHOICE OF EITHER A POSITIVE LOCK RAMP OR A PASSIVE LOCK RAMP IS AVAILABLE.

E	SEE SHEET I	DIMENSIONS SHOWN (METRIC) INCH UNLESS OTHERWISE SPECIFIED TOLERANCES: ANGLES ± .5° INCH METRIC 3 PLACE ± .010 --- 2 PLACE ± .014 ± 0.25 1 PLACE --- ± 0.36 DRAFT ANGLES: WHEN USABLE MUST REMAIN WITHIN DIMENSIONS DRG. BY: CEP APP'D: RAS CHD. BY: RW SCALE: ---:--- FILE NAME: S:421912P3.DWG TITLE: .093/(2.36) HOUSINGS; PLUG AND RECEPTACLE; 2 CIRCUIT MOLEX INCORPORATED 99032 U.S.A. SHEET NO. 3 DATE 12/18/87 PART NO. SD-42191-2* DRG. NO. CP	
D2	SEE SHEET I		
D1	SEE SHEET I		
C	SEE SHEET I		
B	SEE SHT. I		
A	SEE SHT. I		
I	SEE SHT. I	REVISE ONLY ON CAD SYSTEM	
LTR.	REVISIONS	LTR.	REVISIONS