

Excellent Integrated System Limited

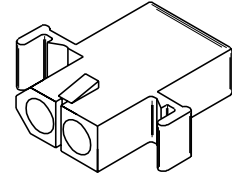
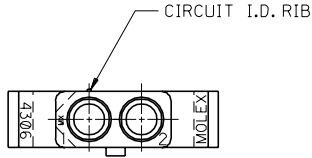
Stocking Distributor

Click to view price, real time Inventory, Delivery & Lifecycle Information:

[Molex Connector Corporation](#)
[0003121023](#)

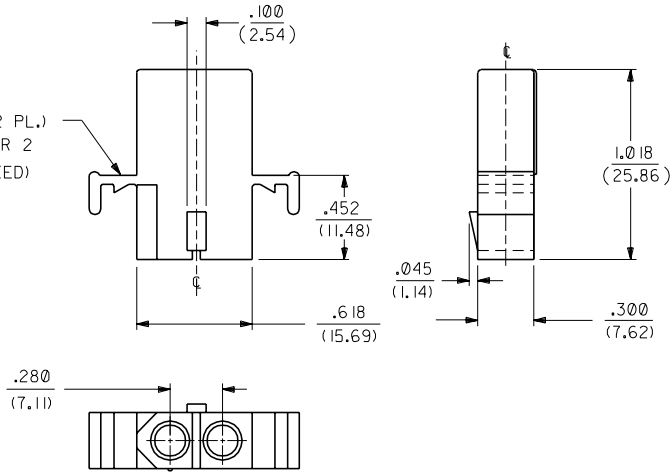
For any questions, you can email us directly:

sales@integrated-circuit.com



4306-R RECEPTACLE HOUSING

MOUNTING EAR (2 PL.)
SEE DETAIL 1 OR 2
(WHEN SPECIFIED)



DIMENSIONS SHOWN (METRIC) INCH

UNLESS OTHERWISE SPECIFIED TOLERANCES: ANGULAR ± 1/2°

	INCH	METRIC
3 PLACE	± .010	---
2 PLACE	± .014	± 0.25
1 PLACE	---	± 0.35

DRAFT WHERE APPLICABLE MUST REMAIN WITHIN DIMENSIONS

∇ = 0 ▼ = 0 REVISE ONLY ON CAD SYSTEM

TITLE HOUSING, 2 CIRCUIT
PLUG AND RECEPTACLE
.125/(3.18) DIA.

MOLEX INCORPORATED SHEET NO. 2 DATE 6/4/87
LISLE, ILL. 60532 U.S.A.

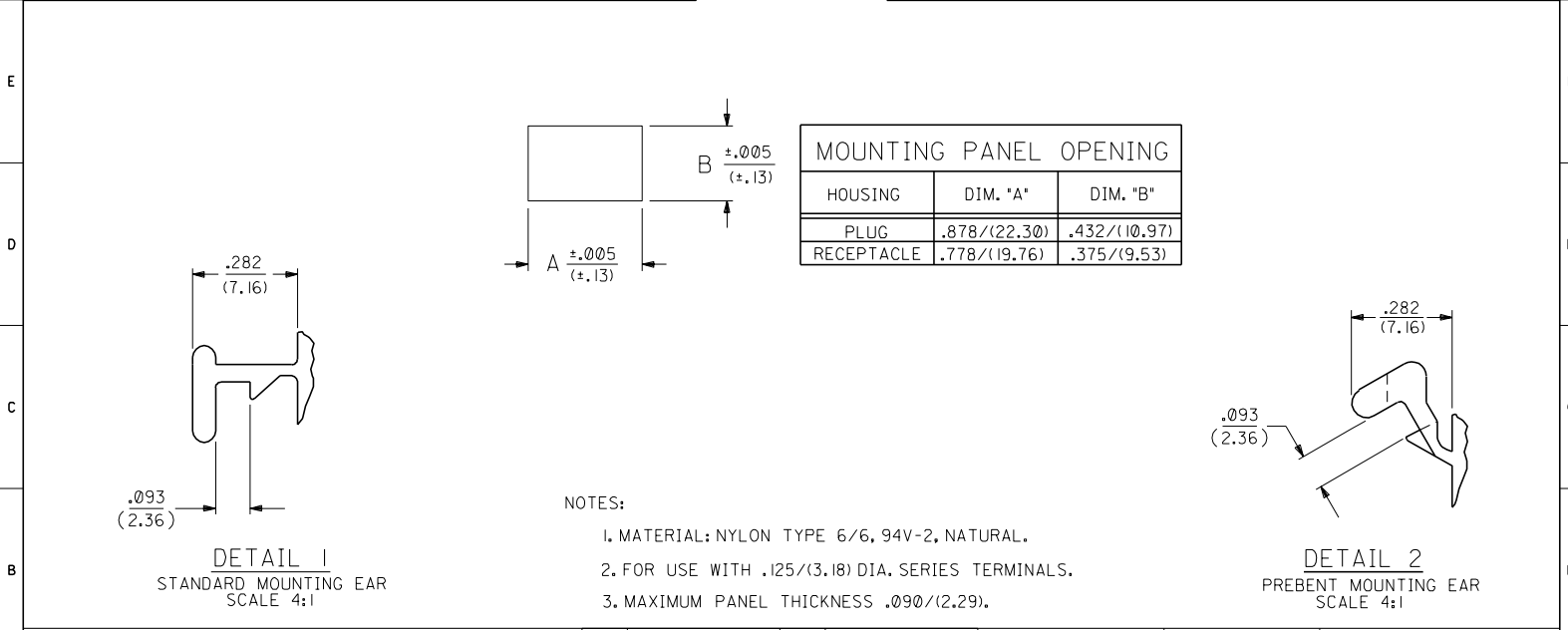
PART NO. SEE CHART DRWG. NO. SD-4306-*

FILE NAME SD4306X2 DGN THIS DRAWING CONTAINS INFORMATION THAT IS PROPRIETARY TO MOLEX INC. AND SHOULD NOT BE USED WITHOUT WRITTEN PERMISSION. DIV. CP SIZE B

LTR.	REVISIONS	LTR.	REVISIONS
		F	SEE SHEET I
		E	SEE SHEET I

PLUG		
PART NO.	ENG. NO.	DESCRIPTION
03-12-2021	4306-P	PLUG WITH STANDARD EARS (DETAIL 1)
03-12-2022	4306-PI	PLUG W/O EARS
03-12-2023	4306-PB	PLUG W/PREBENT EARS (DETAIL 2)

RECEPTACLE		
PART NO.	ENG. NO.	DESCRIPTION
03-12-1021	4306-R	RECEPTACLE WITH STANDARD EARS (DETAIL 1)
03-12-1022	4306-RI	RECEPTACLE W/O EARS
03-12-1023	4306-RB	RECEPTACLE W/PREBENT EARS (DETAIL 2)



DIMENSIONS SHOWN (METRIC) INCH				UNLESS OTHERWISE SPECIFIED TOLERANCES: ANGULAR ± 1/2°		REVISIONS ONLY ON CAD SYSTEM	
INCH		METRIC		TITLE		DATE	
3 PLACE	± .010	---	---	HOUSING, 2 CIRCUIT PLUG AND RECEPTACLE .125/(3.18) DIA.		6/5/87	
2 PLACE	± .014	± 0.25	---	MOLEX INCORPORATED		SHEET NO. 3	
1 PLACE	---	± 0.35	---	LISLE, ILL. 60532 U.S.A.		DATE 6/5/87	
DRAFT WHERE APPLICABLE MUST REMAIN WITHIN DIMENSIONS				PART NO. SD4306X3 DGN		DRWG. NO. SD-4306-*	
DRAWING BY: GEP, APP'D. BY: RAS, SCALE: 2:1				CHK'D. BY: RW		DIV. CP, SIZE B	
LTR. REVISIONS		LTR. REVISIONS		SEE SHEET I		SEE SHEET I	