

## Excellent Integrated System Limited

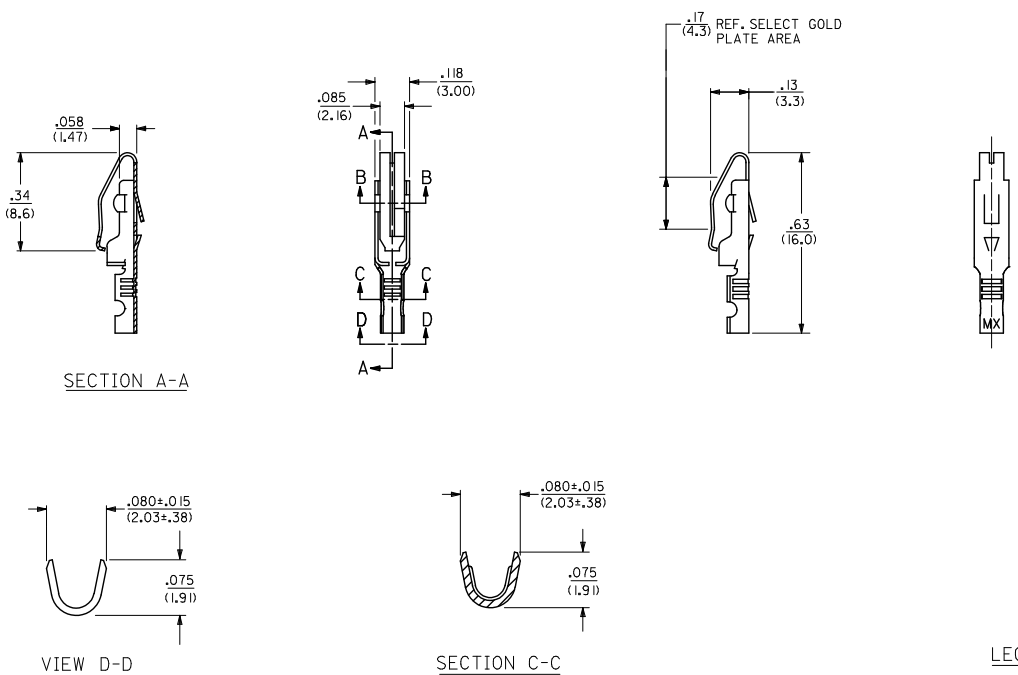
Stocking Distributor

Click to view price, real time Inventory, Delivery & Lifecycle Information:

[Molex Connector Corporation](#)  
[0008030305](#)

For any questions, you can email us directly:

[sales@integrated-circuit.com](mailto:sales@integrated-circuit.com)



**LEGEND**

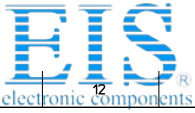
4573-\*\*-\*\*  
FORM  
BLANK=CHAIN  
L=LOOSE

PLATING  
(PER SDES-88)

**NOTES:**

- MATERIAL: BRASS, ALLOY C260, .010/(0.25) THICK.
- FINISH:
  - (P909) \* : OVERALL HOT TIN DIP: .000100/(0.00254) MIN.
  - (P555) : SELECT GOLD: .000015/(0.00038) MIN.
  - OVERALL NICKEL: .000030/(0.00076) MIN.
  - (P228) : SELECT GOLD: .000030/(0.00076) MIN.
  - SELECT TIN: .000100/(0.00254) MIN.
  - OVERALL NICKEL UNDERPLATE .000050/(0.00127) MIN.
- \* THE PRIMARY SHIPPING CARTON WILL BE LABELED 'COMPLIANT TO RoHS DIRECTIVE 2002/95/EC AND ELV ANNEX II OF DIRECTIVE 2000/53/EC'. CARTONS WITHOUT THIS LABEL MAY CONTAIN PRODUCT WITH TIN/LEAD PLATING.
- PRODUCT SPECIFICATION: PS-09-50 APPLIES.
- TERMINAL FOR USE WITH 24-30 AWG WIRE.

CHANGE P/N'S REV F2	DESCRIPTION 7088/12/15 7088/12/18 7088/12/18 7088/12/18 7088/12/18 7088/12/18	QUALITY SYMBOLS ▽=0 ▽=0	GENERAL TOLERANCES (UNLESS SPECIFIED)		DIMENSION STYLE		SCALE	DESIGN UNITS	THIRD ANGLE PROJECTION
			mm	INCH	IN/MM	1:1	INCH	☉	
DRAWN BY			ROBERTS		DATE		TITLE		
CHECKED BY			PATEL		DATE		TERMINAL CRIMP ON		
APPROVED BY			LENZ		DATE		MOLEX INCORPORATED		
MATERIAL NO.			SEE CHART		DOCUMENT NO.		SD-4573		
DRAFT WHERE APPLICABLE MUST REMAIN WITHIN DIMENSIONS			SIZE C		THIS DRAWING CONTAINS INFORMATION THAT IS PROPRIETARY TO MOLEX INCORPORATED AND SHOULD NOT BE USED WITHOUT WRITTEN PERMISSION		SHEET NO. 1 OF 2		



13 12 11 10 9 8 7 6 5 4 3 2 1

PART NO.	ENG. NO	PART NO.	ENG. NO	PART NO.	ENG. NO	PART NO.	ENG. NO
08-03-0305	4573-P909						
08-03-0306	4573-P909L						
08-05-0303	4573-P555						
08-05-0304	4573-P555L						
50-36-2431	4573-P228						
50-36-2432	4573-P228L						

COLUMN NO. 1	CON'T. IN COLUMN NO.	SHEET NO.	COLUMN NO. 2	CON'T. IN COLUMN NO.	SHEET NO.	COLUMN NO. 3	CON'T. IN COLUMN NO.	SHEET NO.	COLUMN NO. 4	CON'T. IN COLUMN NO.	SHEET NO.
--------------	----------------------	-----------	--------------	----------------------	-----------	--------------	----------------------	-----------	--------------	----------------------	-----------

<b>CHANGE P/N'S</b> EC NO: UCP2009-1522 2008/12/15 DRAWN BY: PPR 2008/12/18 CHKD BY: SUSEK 2008/12/18 APPR'D BY: SMITH 2008/12/22	QUALITY SYMBOLS ▽=0 ▽=0	GENERAL TOLERANCES (UNLESS SPECIFIED)		DIMENSION STYLE IN/MM		SCALE 1:1	DESIGN UNITS INCH	THIRD ANGLE PROJECTION	
		4 PLACES ± --- ± ---	mm	INCH	DRAWN BY	DATE	TITLE TERMINAL CANTILEVER STRAIGHT-ON CRIMP TYPE		
		3 PLACES ± --- ± .010			CHECKED BY	DATE			
		2 PLACES ± 0.25 ± .014			PATEL	08/26/91	MOLEX INCORPORATED		
1 PLACE ± 0.35 ± ---			APPROVED BY	DATE					
ANGULAR ± 1/2°		MATERIAL NO.		DOCUMENT NO.		SHEET NO.			
DRAFT WHERE APPLICABLE MUST REMAIN WITHIN DIMENSIONS		SEE CHART		SD-4573		2 OF 2			

THIS DRAWING CONTAINS INFORMATION THAT IS PROPRIETARY TO MOLEX INCORPORATED AND SHOULD NOT BE USED WITHOUT WRITTEN PERMISSION

12 11 10 9 8 7 6 5 4 3 2 1