

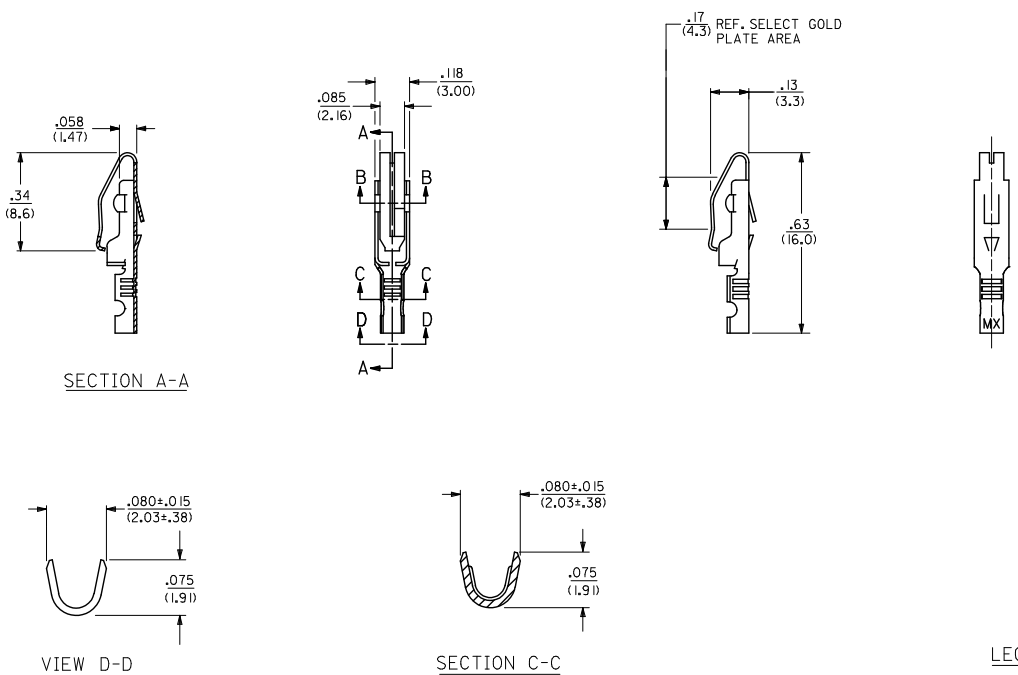
Excellent Integrated System Limited

Stocking Distributor

Click to view price, real time Inventory, Delivery & Lifecycle Information:

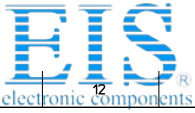
[Molex Connector Corporation](#)
[0008030306](#)

For any questions, you can email us directly:
sales@integrated-circuit.com



- NOTES:
- MATERIAL: BRASS, ALLOY C260, .010/(0.25) THICK.
 - FINISH:
 - (P909) * : OVERALL HOT TIN DIP: .000100/(0.00254) MIN.
 - (P555) : SELECT GOLD: .000015/(0.00038) MIN.
 - OVERALL NICKEL: .000030/(0.00076) MIN.
 - (P228) : SELECT GOLD: .000030/(0.00076) MIN.
 - SELECT TIN: .000100/(0.00254) MIN.
 - OVERALL NICKEL UNDERPLATE .000050/(0.00127) MIN.
 - * THE PRIMARY SHIPPING CARTON WILL BE LABELED 'COMPLIANT TO RoHS DIRECTIVE 2002/95/EC AND ELV ANNEX II OF DIRECTIVE 2000/53/EC'. CARTONS WITHOUT THIS LABEL MAY CONTAIN PRODUCT WITH TIN/LEAD PLATING.
 - PRODUCT SPECIFICATION: PS-09-50 APPLIES.
 - TERMINAL FOR USE WITH 24-30 AWG WIRE.

CHANGE P/N'S EC NO: UCP2009-1522 DRAWN BY: 2008/12/15 CHKD: 2008/12/18 APPROV: 2008/12/22	QUALITY SYMBOLS ▽=0 ▽=0	GENERAL TOLERANCES (UNLESS SPECIFIED)		DIMENSION STYLE		SCALE	DESIGN UNITS	THIRD ANGLE PROJECTION	
		mm	INCH	IN/MM		1:1	INCH	TERMINAL CRIMP ON	
REV F2	DESCRIPTION	4 PLACES ± --- ± ---	ROBERTS	DRAWN BY	DATE	MOLEX INCORPORATED			
		3 PLACES ± --- ± .010	CHECKED BY	DATE					
		2 PLACES ± 0.25 ± .014	PATEL	APPROVED BY	DATE	DOCUMENT NO.		SHEET NO.	
		1 PLACE ± 0.36 ± ---	LENZ	DATE	08/15/91	SD-4573		1 OF 2	
		ANGULAR ± 1/2°		MATERIAL NO.		THIS DRAWING CONTAINS INFORMATION THAT IS PROPRIETARY TO MOLEX INCORPORATED AND SHOULD NOT BE USED WITHOUT WRITTEN PERMISSION			
		DRAFT WHERE APPLICABLE MUST REMAIN WITHIN DIMENSIONS		SEE CHART					



Distributor of Molex Connector Corporation: Excellent Integrated System Limited

Datasheet of 0008030306 - TERM EDGE KK 24-30AWG CRIMP TIN

Contact us: sales@integrated-circuit.com Website: www.integrated-circuit.com

13 12 11 10 9 8 7 6 5 4 3 2 1

PART NO.	ENG. NO.	PART NO.	ENG. NO.	PART NO.	ENG. NO.	PART NO.	ENG. NO.
08-03-0305	4573-P909						
08-03-0306	4573-P909L						
08-05-0303	4573-P555						
08-05-0304	4573-P555L						
50-36-2431	4573-P228						
50-36-2432	4573-P228L						

COLUMN NO. 1	CON'T. IN COLUMN NO.	SHEET NO.	COLUMN NO. 2	CON'T. IN COLUMN NO.	SHEET NO.	COLUMN NO. 3	CON'T. IN COLUMN NO.	SHEET NO.	COLUMN NO. 4	CON'T. IN COLUMN NO.	SHEET NO.
--------------	----------------------	-----------	--------------	----------------------	-----------	--------------	----------------------	-----------	--------------	----------------------	-----------

CHANGE P/N'S EC NO: UCP2009-1522 2008/12/15 DRAWN BY: PPR 2008/12/18 CHKD BY: SUSEK 2008/12/18 APPR'D BY: SMITH 2008/12/22	QUALITY SYMBOLS ▽=0 ▽=0	GENERAL TOLERANCES (UNLESS SPECIFIED)		DIMENSION STYLE		SCALE	DESIGN UNITS	THIRD ANGLE PROJECTION	
		mm	INCH	IN/MM		1:1	INCH		
		4 PLACES ±---	±---	DRAWN BY	DATE	TITLE			
		3 PLACES ±---	±.010	ROBERTS	08/26/91	TERMINAL CANTILEVER STRAIGHT-ON CRIMP TYPE			
2 PLACES ±0.25	±.014	CHECKED BY	DATE	MOLEX INCORPORATED SD-4573					
1 PLACE ±0.35	±---	PATEL	08/26/91						
ANGULAR ±1/2°		APPROVED BY	DATE	MATERIAL NO.		DOCUMENT NO.		SHEET NO.	
		LENZ	08/26/91					2 OF 2	
DRAFT WHERE APPLICABLE MUST REMAIN WITHIN DIMENSIONS				SEE CHART					
THIS DRAWING CONTAINS INFORMATION THAT IS PROPRIETARY TO MOLEX INCORPORATED AND SHOULD NOT BE USED WITHOUT WRITTEN PERMISSION									

12 11 10 9 8 7 6 5 4 3 2 1

Id_frame_C_P_ME_T Rev. E 2006/04/15