

Excellent Integrated System Limited

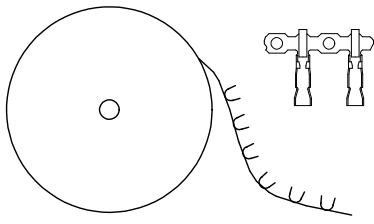
Stocking Distributor

Click to view price, real time Inventory, Delivery & Lifecycle Information:

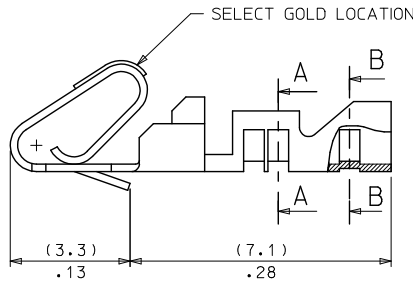
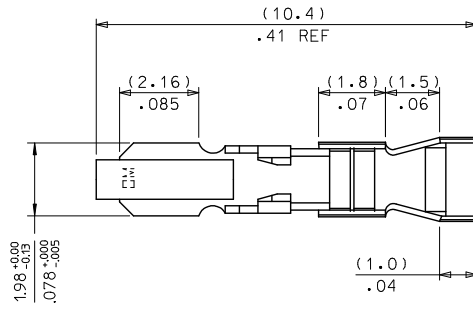
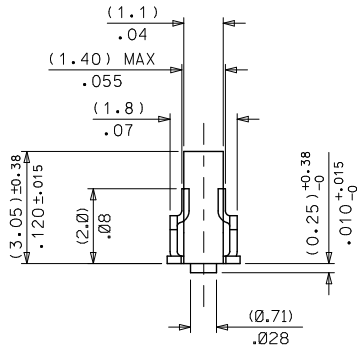
[Molex Connector Corporation](#)
[0008520105](#)

For any questions, you can email us directly:

sales@integrated-circuit.com

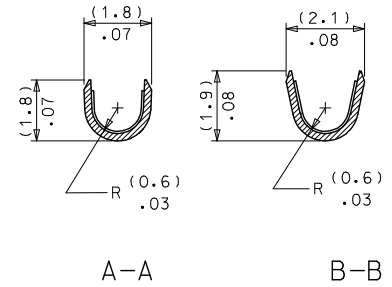


TOP FEEDING REEL WINDING DIRECTION



PART No.	ENG No.	FORM	FINISH
08-65-0105	8088-(555)	CHAIN	555
08-65-0106	8088-(555)L	LOOSE	

LEGEND
 8088-(***)*
 PLATING CODE ——— BLANK = CHAIN FORM, TOP FEEDING REEL
 L = LOOSE FORM

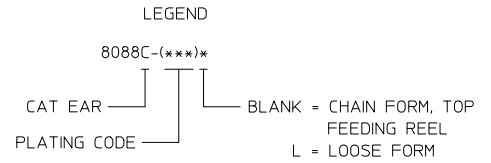
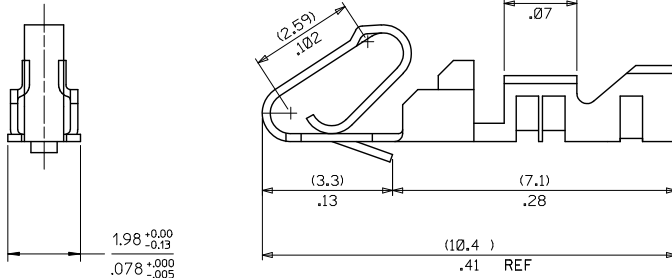


NOTES:

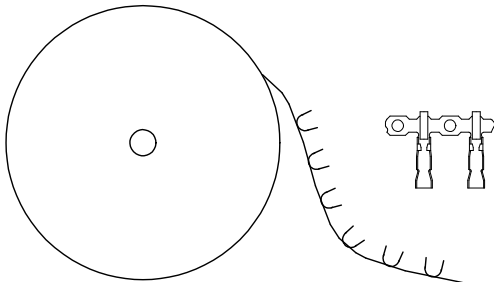
- MATERIAL: PHOS. BRONZE
- FINISH:
 555 = 0.00038/0.00015 MIN. SELECT GOLD IN CONTACT AREA OVER (0.00076)/0.00030 MIN. NICKEL OVERALL
- PRODUCT SPECIFICATION: PS-99020-0088.
- FOR 22-30 AWG WIRE: (1.57)/.062 DIA MAX INSULATION
- THIS PART CONFORMS TO CLASS B REQUIREMENTS OF MOLEX COSMETIC SPECIFICATION PS-45499-002.

CUT-OFF TOLERANCE	EC NO: LCP2013-5579	DRAWN/APPR: 2013/06/27	CHKD/BELL: 2013/06/27	APPR/SMITH: 2013/07/16	QUALITY SYMBOLS	GENERAL TOLERANCES (UNLESS SPECIFIED)		DIMENSION STYLE	SCALE	DESIGN UNITS	THIRD ANGLE PROJECTION
						mm	INCH	MM/IN	10:1	METRIC	
▽=0					▽=0	4 PLACES ±	---	---	DRAWN BY T. MAHON	DATE 1998/10/26	TITLE KK (2.54)/.100 ANTI-FISH HOOKING TERMINAL 22-30 AWG
▽=0					▽=0	3 PLACES ±	---	---	CHECKED BY DMORIRARTY	DATE 2006/09/14	
▽=0					▽=0	2 PLACES ±	0.25	±.020	APPROVED BY JDENNEHY	DATE 2006/09/14	
						1 PLACE ±	0.51	±---	MATERIAL NO. SEE CHART	DOCUMENT NO. SD-8088-****	
						0 PLACE ±		±	THIS DRAWING CONTAINS INFORMATION THAT IS PROPRIETARY TO MOLEX INCORPORATED AND SHOULD NOT BE USED WITHOUT WRITTEN PERMISSION		

PART No.	ENG No.	FORM	FINISH SEE NOTE 2
08-52-0105	8088C-(P918)	CHAIN	(P918)
08-52-0106	8088C-(P918)L	LOOSE	(P918)



- NOTES:
- MATERIAL: PHOS. BRONZE ALLOY
 - FINISH:
(P918) = HOT TIN DIP (0.00102-0.00305)/.000040-.000120
 - PRODUCT SPECIFICATION: PS-99020-0088
 - SAME AS SD-8088-**** EXCEPT CAT EARS.
SEE SD-8088-**** FOR OTHER DIMENSIONS.
 - FOR 22-30 AWG WIRE, (1.57)/.062 MAX DIA INSULATION
 - THIS PART CONFORMS TO CLASS B REQUIREMENTS OF COSMETIC SPECIFICATION PS-45499-002.



TOP FEEDING REEL WINDING DIRECTION

CUT-OFF TOLERANCE EC NO: LCP2013-5579 DRAWN BY: PPR 2013/06/27 CHKD BY: BELL 2013/06/27 APPR: SMITH 2013/07/16	QUALITY SYMBOLS ▽=0 ▽=0 ▽=0	GENERAL TOLERANCES (UNLESS SPECIFIED)		DIMENSION STYLE MM ONLY		SCALE 10:1	DESIGN UNITS METRIC	THIRD ANGLE PROJECTION
		mm	INCH	DRAWN BY T. MAHON	DATE 1998/10/26	TITLE TERMINAL - ANTI FISH HOOKING KK .100 CTR REF WITH CAT EARS		
		4 PLACES	± .---	± .---	CHECKED BY D. MORIARTY	DATE 2006/09/14		
		3 PLACES	± .---	± .010	APPROVED BY J. DENNEHY	DATE 2006/09/14		
		2 PLACES	± 0.25	± .020	MATERIAL NO. SD-8088C-****			
		1 PLACE	± 0.51	± .---	DOCUMENT NO. SD-8088C-****			
		0 PLACE	±	±	SIZE B		SHEET NO. 1 OF 1	
DRAFT WHERE APPLICABLE MUST REMAIN WITHIN DIMENSIONS		ANGULAR ±1/2°		SEE CHART		THIS DRAWING CONTAINS INFORMATION THAT IS PROPRIETARY TO MOLEX. INCORPORATED AND SHOULD NOT BE USED WITHOUT WRITTEN PERMISSION		