

## Excellent Integrated System Limited

Stocking Distributor

Click to view price, real time Inventory, Delivery & Lifecycle Information:

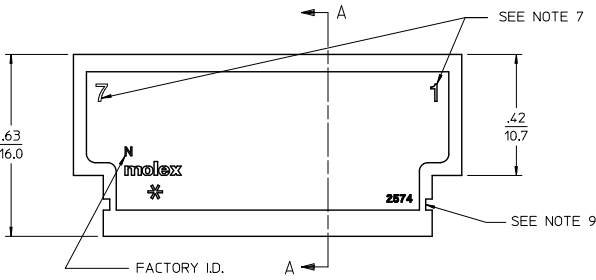
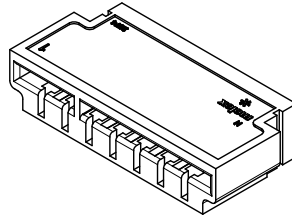
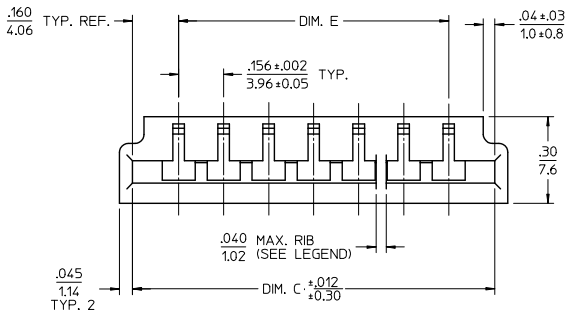
[Molex Connector Corporation](#)  
[0009017171](#)

For any questions, you can email us directly:

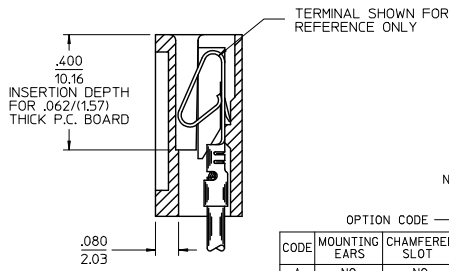
[sales@integrated-circuit.com](mailto:sales@integrated-circuit.com)

NOTES:

1. MATERIAL: NYLON 6/6, 94V-2.
2. FINISH: SEE CRIMP TERMINAL DRAWING.
3. THIS PRODUCT CONFORMS TO PRODUCT SPECIFICATION PS-08-50.
4. PACKAGING: BULK PER PK-2574-001
5. CONNECTOR TO BE USED WITH CRIMP TERMINALS:  
2478: 18-24 GAGE WIRE, .110(1.279) MAX. INSULATION DIAMETER.  
2578: 22-26 GAGE WIRE, .065(1.65) MAX. INSULATION DIAMETER.  
2878: 18-20 GAGE WIRE, .110(1.279) MAX. INSULATION DIAMETER.
6. DIMENSIONS GIVEN ACROSS CENTERLINES ARE SYMMETRICAL ABOUT THOSE CENTERLINES WITHIN ONE HALF THE TOTAL TOLERANCE.
7. CIRCUIT 1 I.D. PRESENT ON ALL PARTS. LAST CIRCUIT I.D. MAY OR MAY NOT BE PRESENT.
8. PART CONFORMS TO CLASS B REQUIREMENTS OF COSMETIC SPECIFICATION PS-45499-002
9. SLOTS MAY OR MAY NOT BE PRESENT ON PART.



SECTION A-A



OPTION CODE

CODE	MOUNTING EARS	CHAMFERED SLOT	PCB THK	MOUNTING HOLES
A	NO	NO	.062	NO
B	YES	NO	.062	NO
C	NO	YES	.062	NO
D	YES	YES	.062	NO
E	NO	NO	.032	NO
F	YES	NO	.062	YES

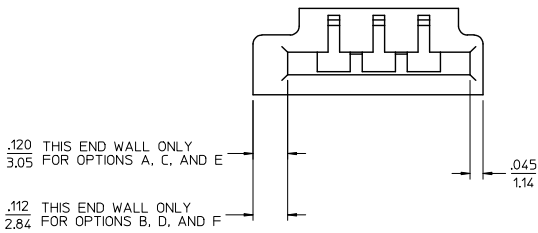
2574 - N \* \* \*  
NO. OF CIRCUITS

COLOR CODE  
BLANK=NATURAL  
BK=BLACK

RIB LOCATION CODE (BETWEEN CKTS)

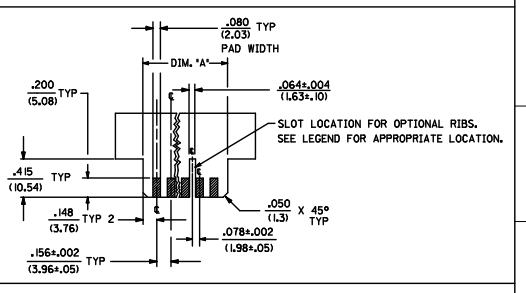
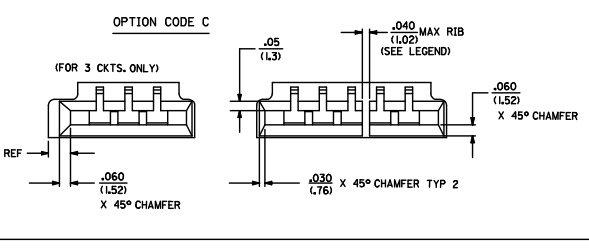
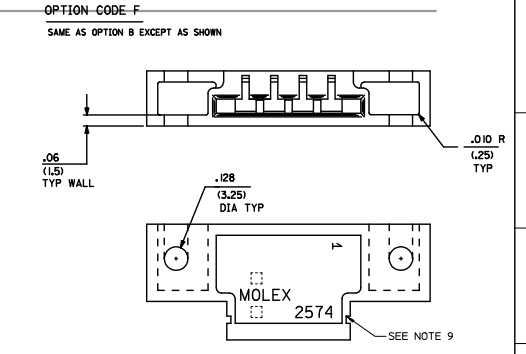
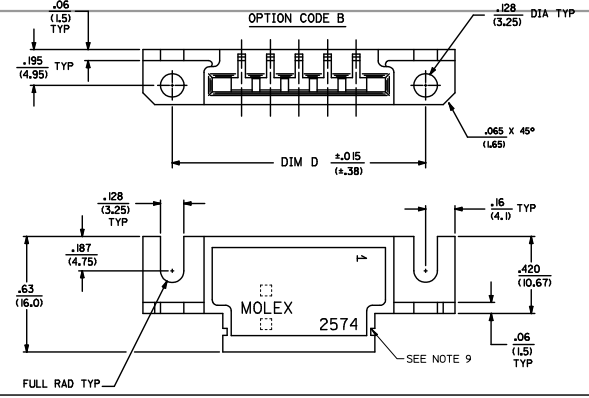
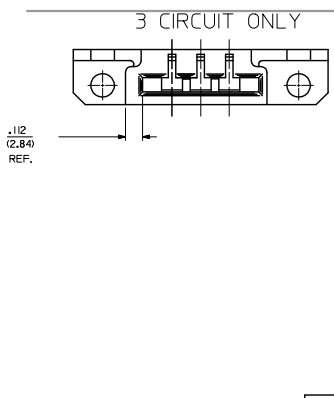
- 1 = NONE
- 2 = 2-3
- 3 = 3-4
- 4 = 5-6
- 5 = 3-4, 5-6
- 6 = 4-5, 7-8
- 7 = 5-6, 8-9
- 8 = 5-6, 10-11
- 9 = 4-5, 7-8, 11-12
- 10 = 5-6, 10-11, 14-15
- 11 = 5-6, 10-11, 15-16
- 12 = 5-6, 11-12, 16-17
- 13 = 5-6, 11-12, 17-18
- 14 = 4-5, 7-8, 11-12, 15-16
- 15 = 4-5, 8-9, 12-13, 16-17, 20-21
- 16 = 5-6, 11-12, 18-19

3 CIRCUIT ONLY

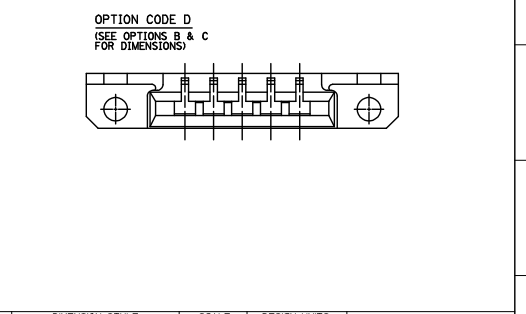
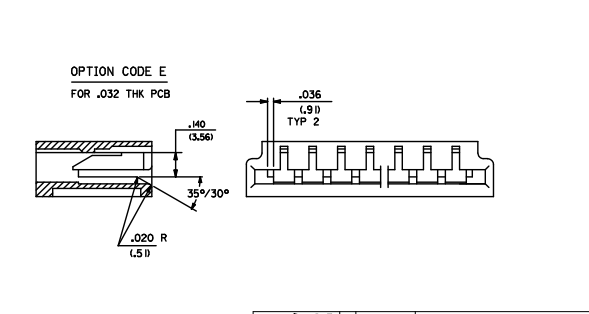


NOTE 7 EC NO: UCP2015-0556 2014/08/07 DRAWN: JIROX CHKD: KIPPER 2014/08/08 APPROVED: SMITH 2014/08/12	QUALITY SYMBOLS ▽=0 ▽=0 ▽=0	GENERAL TOLERANCES (UNLESS SPECIFIED)		DIMENSION STYLE		SCALE	DESIGN UNITS	THIRD ANGLE PROJECTION
		mm	INCH	IN/MM		4:1	INCH	INCH
D4	REV	4 PLACES ± --- ± ---		DRAWN BY	DATE	TITLE EDGE CARD CONNECTOR .156(3.96) CENTERS CRIMP TYPE-2574 SERIES <b>molex</b>		
		3 PLACES ± --- ± .010		PEREZ-ARGUET	1988/03/02			
		2 PLACES ± 0.25 ± .015		CHECKED BY	DATE	MATERIAL NO. SD-2574 DOCUMENT NO. SHEET NO. 1 OF 3		
		1 PLACE ± 0.36 ± ---		PATEL	1988/03/02			
		0 PLACE ± --- ± ---		APPROVED BY	DATE	THIS DRAWING CONTAINS INFORMATION THAT IS PROPRIETARY TO MOLEX INCORPORATED AND SHOULD NOT BE USED WITHOUT WRITTEN PERMISSION		
				FSMITH	2012/08/13			
				ANGULAR ± 3°				
				DRAFT WHERE APPLICABLE MUST REMAIN WITHIN DIMENSIONS				
				SEE CHART				

13 12 11 10 9 8 7 6 5 4 3 2 1



NO. OF CKT'S	DIM. C	DIM. D	DIM. E	DIM. A
3	.632 (16.05)	1.143 (29.03)	.312±.002 (7.92±.05)	.618 (15.70)
4	.788 (20.02)	1.224 (31.09)	.468±.002 (11.89±.05)	.774 (19.66)
5	.944 (23.98)	1.380 (35.05)	.624±.003 (15.85±.08)	.922 (23.42)
6	1.100 (27.94)	1.536 (39.01)	.780±.003 (19.81±.08)	1.078 (27.38)
7	1.256 (31.90)	1.692 (42.98)	.936±.003 (23.77±.08)	1.232 (31.29)
8	1.412 (35.86)	1.848 (46.94)	1.092±.004 (27.74±.10)	1.388 (35.26)
9	1.568 (39.83)	2.004 (50.90)	1.248±.004 (31.70±.10)	1.544 (39.22)
10	1.724 (43.79)	2.160 (54.86)	1.404±.005 (35.66±.15)	1.700 (43.18)
11	1.880 (47.75)	2.316 (58.83)	1.560±.006 (39.62±.15)	1.854 (47.09)
12	2.036 (51.71)	2.472 (62.79)	1.716±.006 (43.59±.15)	2.010 (51.05)
13	2.192 (55.68)	2.628 (66.75)	1.872±.006 (47.55±.15)	2.164 (54.97)
14	2.348 (59.64)	2.784 (70.71)	2.028±.007 (51.51±.18)	2.318 (58.88)
15	2.504 (63.60)	2.940 (74.68)	2.184±.007 (55.47±.18)	2.474 (62.84)
16	2.660 (67.56)	3.096 (78.64)	2.340±.007 (59.44±.18)	2.631 (66.83)
17	2.816 (71.53)	3.252 (82.60)	2.496±.008 (63.40±.20)	2.784 (70.71)
18	2.972 (75.49)	3.408 (86.56)	2.652±.009 (67.36±.23)	2.954 (75.03)
19	3.128 (79.45)	3.564 (90.53)	2.808±.009 (71.32±.23)	3.095 (78.61)
20	3.284 (83.41)	3.720 (94.49)	2.964±.009 (75.29±.23)	3.251 (82.58)
21	3.440 (87.38)	3.876 (98.45)	3.120±.010 (79.25±.25)	3.407 (86.54)
22	3.596 (91.34)	4.032 (102.41)	3.276±.011 (83.21±.25)	3.562 (90.47)
23	3.752 (95.30)	4.188 (106.38)	3.432±.011 (87.17±.28)	3.716 (94.39)
24	3.908 (99.26)	4.344 (110.34)	3.588±.012 (91.14±.30)	3.871 (98.32)



SEE SHEET 1 DEC NO: UCP2015-0556 DRAWN: JIFUX 2014/08/07 CHKD: KIPER 2014/08/08 APPROV: SMITH 2014/08/29 D4	QUALITY SYMBOLS ∇=0 ∇=0 ∇=0	GENERAL TOLERANCES (UNLESS SPECIFIED)		DIMENSION STYLE IN/MM		SCALE --- INCH		DESIGN UNITS INCH		THIRD ANGLE PROJECTION	
		4 PLACES ±.--- ±.--- 3 PLACES ±.--- ±.--- 2 PLACES ±.25 ±.015 1 PLACE ±.0.36 ±.--- 0 PLACE ±.--- ±.---		DRAWN BY PEREZ-ARGUET 1988/03/02 CHECKED BY DATE PATEL 1988/03/02 APPROVED BY DATE F SMITH 2012/08/13		TITLE EDGE CARD CONNECTOR .156/(3.96) CENTERS CRIMP TYPE-2574 SERIES		MATERIAL NO. DOCUMENT NO.		SHEET NO. 2 OF 3	
		ANGULAR ± 3° DRAFT WHERE APPLICABLE MUST REMAIN WITHIN DIMENSIONS		SEE CHART		SD-2574		THIS DRAWING CONTAINS INFORMATION THAT IS PROPRIETARY TO MOLEX INCORPORATED AND SHOULD NOT BE USED WITHOUT WRITTEN PERMISSION			



13 12 11 10 9 8 6 5 4 3 2 1

2574-NA*		2574-NB*		2574-NC*		2574-ND*		2574-NE*		2574-NF*	
PART NO.	ENG. NO. (SUFFIX ONLY)	PART NO.	ENG. NO. (SUFFIX ONLY)	PART NO.	ENG. NO. (SUFFIX ONLY)	PART NO.	ENG. NO. (SUFFIX ONLY)	PART NO.	ENG. NO. (SUFFIX ONLY)	PART NO.	ENG. NO. (SUFFIX ONLY)
09-01-6031	-3A1	09-01-7031	-3B1	09-01-6038	-3C1		-3D1		-4E1	09-01-7065	-6F1-BK
09-01-6041	-4A1	09-01-7041	-4B1	09-01-6048	-04C1		-08D1		-6E1	09-01-7087	-8F1-BK
09-01-6051	-5A1	09-01-7051	-5B1	09-01-6088	-08C1		-20D1				
09-01-6064	-6A1	09-01-7064	-6B1		-20C1						
09-01-6081	-8A1	09-01-7081	-8B1								
	-8A1D	09-01-7069	-8B1D								
09-01-6055	-5A2		-8B1D								
09-01-6061	-6A2	09-01-7061	-6B2								
09-01-6085	-8A2	09-01-7085	-8B2								
09-01-6095	-9A2	09-01-7095	-9B2								
09-01-6071	-7A3	09-01-7071	-7B3								
09-01-6086	-8A3	09-01-7086	-8B3								
09-01-6083	-8A4	09-01-7083	-8B4								
09-01-6094	-9A4	09-01-7094	-9B4								
09-01-6091	-9A5	09-01-7091	-9B5								
09-01-6101	-10A6	09-01-7101	-10B6								
09-01-6121	-12A7	09-01-7121	-12B7								
09-01-6129	-12A4	09-01-7129	-12B4								
09-01-6181	-18A8	09-01-7181	-18B8								
09-01-6191	-18A9	09-01-7191	-18B9								
09-01-6161	-16A9	09-01-7161	-16B9								
09-01-6171	-17A10	09-01-7171	-17B10								
09-01-6211	-21A11	09-01-7211	-21B11								
09-01-6224	-22A12	09-01-7224	-22B12								
09-01-6221	-22A13	09-01-7221	-22B13								
09-01-6191	-19A14	09-01-7191	-19B14								
09-01-6241	-24A15	09-01-7241	-24B15								
09-01-7222	-22A16		-6B1-BK								

<p>SEE SHEET 1          EC NO: UCP2015-0556          DRAWN BY: 2014/08/07          CHKD BY: 2014/08/08          APPROVED BY: 2014/08/29</p>																															
<p>QUALITY SYMBOLS</p> <p>▽=0          ▽=0          ▽=0</p>		<p>GENERAL TOLERANCES (UNLESS SPECIFIED)</p> <table border="1"> <tr> <th></th> <th>mm</th> <th>INCH</th> </tr> <tr> <td>4 PLACES</td> <td>±.005</td> <td>±.0002</td> </tr> <tr> <td>3 PLACES</td> <td>±.010</td> <td>±.0004</td> </tr> <tr> <td>2 PLACES</td> <td>±0.25</td> <td>±.010</td> </tr> <tr> <td>1 PLACE</td> <td>±0.36</td> <td>±.014</td> </tr> <tr> <td>0 PLACE</td> <td>±.000</td> <td>±.000</td> </tr> </table>			mm	INCH	4 PLACES	±.005	±.0002	3 PLACES	±.010	±.0004	2 PLACES	±0.25	±.010	1 PLACE	±0.36	±.014	0 PLACE	±.000	±.000	<p>DIMENSION STYLE</p> <p>IN/MM</p>		<p>SCALE</p> <p>---</p>		<p>DESIGN UNITS</p> <p>INCH</p>		<p>THIRD ANGLE PROJECTION</p>		<p>TITLE</p> <p>EDGE CARD CONNECTOR          .156/(3.96) CENTERS          CRIMP TYPE-2574 SERIES</p>	
	mm	INCH																													
4 PLACES	±.005	±.0002																													
3 PLACES	±.010	±.0004																													
2 PLACES	±0.25	±.010																													
1 PLACE	±0.36	±.014																													
0 PLACE	±.000	±.000																													
<p>ANGULAR ± 3 °</p>		<p>DRAFT WHERE APPLICABLE MUST REMAIN WITHIN DIMENSIONS</p>		<p>MATERIAL NO.</p> <p>SEE CHART</p>		<p>DOCUMENT NO.</p> <p>SD-2574</p>		<p>SHEET NO.</p> <p>3 OF 3</p>		<p>THIS DRAWING CONTAINS INFORMATION THAT IS PROPRIETARY TO MOLEX INCORPORATED AND SHOULD NOT BE USED WITHOUT WRITTEN PERMISSION</p>																					

1b\_frame\_C\_P\_AM\_T Rev. G 2012/01/11 12 11 10 9 8 7 6 5 4 3 2 1