

## Excellent Integrated System Limited

Stocking Distributor

Click to view price, real time Inventory, Delivery & Lifecycle Information:

[TE Connectivity Raychem Circuit Protection  
RHE1300](#)

For any questions, you can email us directly:

[sales@integrated-circuit.com](mailto:sales@integrated-circuit.com)

**Tyco/Electronics**

Raychem Circuit Protection  
308 Constitution Drive  
Menlo Park, CA 94025-1164  
800-227-4856  
FAX 800-227-4866

**PolySwitch®**  
**PTC Devices**  
Overcurrent Protection Device

PRODUCT: RHE1300

DOCUMENT: SCD 24263  
PCN: 194113  
REV LETTER: F  
REV DATE: OCTOBER 8, 2001  
PAGE NO.: 1 OF 1

**Specification Status: RELEASED**

**Electrical Rating**

Voltage: 16V<sub>DC</sub> MAX  
Current: 100A MAX

**INSULATING MATERIAL:**

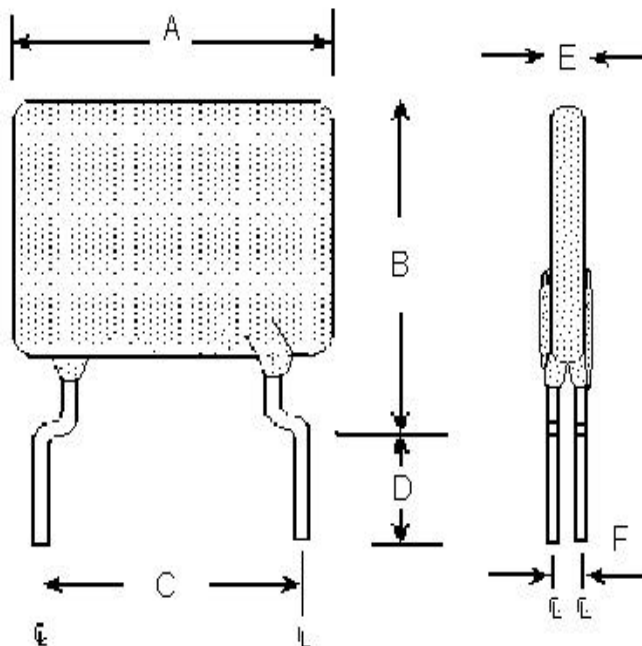
Cured, Flame Retarded Epoxy Polymer  
meets UL94 V-0 Requirements

**LEAD MATERIAL:**

18 AWG Tin/Lead Plated Copper

**PART MARKING:**

- Raychem Logo and Voltage
- XX 16
- H13 — Part Identification
- Lot Identification (can be on back)



**TABLE I. DIMENSIONS:**

	A		B		C		D		E		F
	MIN	MAX	MIN	MAX	MIN	MAX	MIN	MAX	MIN	MAX	TYP
mm:	--	23.5	--	28.7	9.4	10.9	7.6	--	--	3.6	1.4
in*:	--	(0.925)	--	(1.13)	(0.37)	(0.43)	(0.30)	--	--	(0.14)	(0.06)

\*Rounded off approximation

**TABLE II. PERFORMANCE RATINGS:**

I HOLD	CURRENT RATINGS						TIME TO TRIP	RESISTANCE		TRIPPED-STATE POWER DISSIPATION
	AMPS 25°C HOLD	AMPS AT 0°C HOLD	AMPS AT 25°C TRIP	AMPS AT 60°C HOLD	AMPS AT 60°C TRIP	SECONDS AT 25°C, 65A MAX		OHMS AT 25°C MIN	OHMS AT 25°C MAX	
13.0	--	--	13.0	24.0	--	--	13.0	0.0041	0.0100	6.9

Recognitions: UL, TUV, CSA recognized.  
 Reference Documents: PS300  
 Precedence: This specification takes precedence over documents referenced herein.  
 Effectivity: Reference documents shall be the issue in effect on the date of invitation for bid.  
 CAUTION: Operation beyond the rated voltage or current may result in rupture, electrical arcing or flame.