

## Excellent Integrated System Limited

Stocking Distributor

Click to view price, real time Inventory, Delivery & Lifecycle Information:

[Phoenix Contact](#)  
[2790871](#)

For any questions, you can email us directly:  
[sales@integrated-circuit.com](mailto:sales@integrated-circuit.com)

https://www.phoenixcontact.com/us/products/2790871



## Electronic housing - UEG 30/1 - 2790871

Please be informed that the data shown in this PDF Document is generated from our Online Catalog. Please find the complete data in the user's documentation. Our General Terms of Use for Downloads are valid (<http://download.phoenixcontact.com>)



Electronic housing, for PCB insertion, fully equipped with 4 screw or tab connections per side

### Product Features

- ✓ Universal P1-UEG... PCBs are available for laboratory samples and small series
- ✓ Cost-effective series production, since the base element and the assembled PCB are soldered by machine
- ✓ Efficient assembly thanks to overlapping housing parts
- ✓ Can be snapped onto standard NS 35/7,5 and NS 35/15 DIN rails
- ✓ Up to 16 connections on two levels
- ✓ Installation of one or two PCBs in the housing



### Key commercial data

Packing unit	1 PCE
GTIN	 4 017918 072360
Custom tariff number	85369010
Country of origin	GERMANY

### Technical data

#### General

Housing type	Complete housing
Housing material	Polyamide (PA 6.6)
Color	green

#### Dimensions

Length	79.5 mm
Constructional height	70 mm
Width	30 mm

<https://www.phoenixcontact.com/us/products/2790871>


## Electronic housing - UEG 30/1 - 2790871

### Technical data

#### Dimensions

Pitch	5 mm
-------	------

#### Technical data

Ambient temperature (operation)	-40 °C ... 105 °C
Inflammability class according to UL 94	V0
Power dissipation at 20°C in the horizontal mounting position	4 W 7.2 W
Number of positions	8

#### Connection data

Conductor cross section solid min.	0.2 mm <sup>2</sup>
Conductor cross section solid max.	4 mm <sup>2</sup>
Conductor cross section stranded min.	0.2 mm <sup>2</sup>
Conductor cross section stranded max.	2.5 mm <sup>2</sup>
Conductor cross section AWG/kcmil min.	24
Conductor cross section AWG/kcmil max	12
Stripping length	8 mm

### Classifications

#### eCl@ss

eCl@ss 4.0	27180401
eCl@ss 4.1	27180401
eCl@ss 5.0	27180506
eCl@ss 5.1	27180506
eCl@ss 6.0	27180802
eCl@ss 7.0	27182702

#### ETIM

ETIM 2.0	EC001031
ETIM 3.0	EC001031
ETIM 4.0	EC001031
ETIM 5.0	EC001031

#### UNSPSC

UNSPSC 6.01	31261501
UNSPSC 7.0901	31261501
UNSPSC 11	31261501
UNSPSC 12.01	31261501
UNSPSC 13.2	31261501

<https://www.phoenixcontact.com/us/products/2790871>



## Electronic housing - UEG 30/1 - 2790871

### Approvals

Approvals

---

Approvals

GOST / GOST

---

Ex Approvals

---

Approvals submitted

---

### Approval details



### Accessories

Accessories

Bridges

Wire bridge - DB 50- 90 GY - 2820929

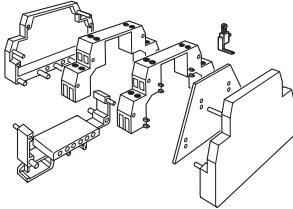
Wire bridge, Color: gray



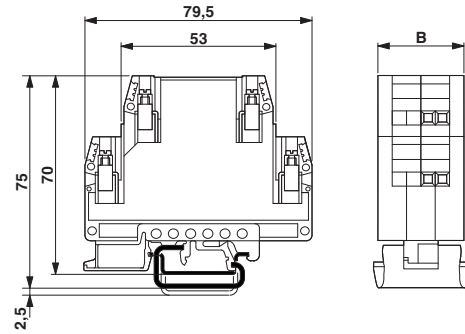
### Drawings

## Electronic housing - UEG 30/1 - 2790871

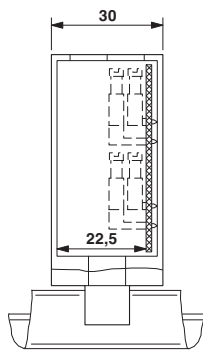
Explosion drawing



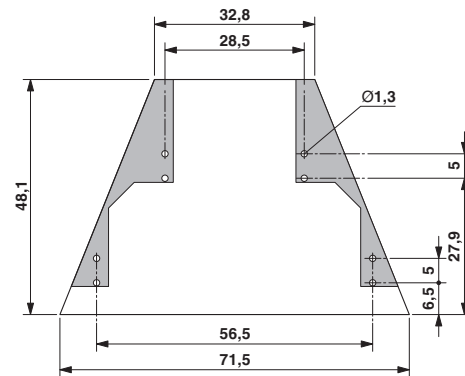
Dimensioned drawing



Dimensioned drawing



Dimensioned drawing



UEG 30/1, enlarged internal area, with 1 PCB, up to max. 8 positions

Schematic diagram

