

Excellent Integrated System Limited

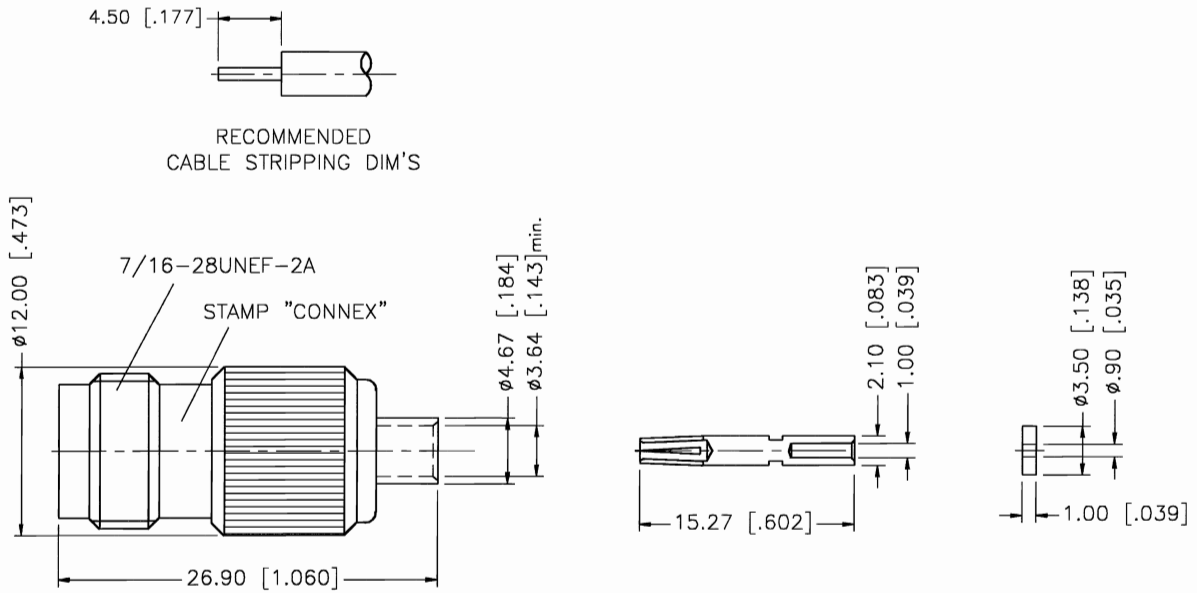
Stocking Distributor


Click to view price, real time Inventory, Delivery & Lifecycle Information:

[Amphenol RF](#)
[122423](#)

For any questions, you can email us directly:
sales@integrated-circuit.com

| REV. | DATE | DESCRIPTION |
|------|----------|--------------------|
| A | 02/06/00 | ADD BARREL PLATING |



| DESCRIPTION | MATERIAL | FINISH | UNLESS OTHERWISE SPECIFIED DIMENSIONS ARE IN MILLIMETERS | APPROVALS | DATE |  | | | |
|---------------|--------------|---------|---|--------------|----------|---|-----------------|---------------------|--------|
| 1 BODY | BRASS | NICKEL | DIMENSIONS IN [] ARE IN INCHES FOR CUSTOMER REFERENCE ONLY | DRAWN G.R.S. | 02/06/00 | | | | |
| 2 INSULATOR | TEFLON | NATURAL | | CHECKED | | | | | |
| 3 CONTACT PIN | PHOS. BRONZE | GOLD | UNLESS OTHERWISE SPECIFIED TOLERANCES FOR MILLIMETERS ARE: | ISSUED | | TITLE TNC DIRECT SOLDER JACK (FOR .141" SEMI RIGID CABLE) | | | |
| 4 BARREL | BRASS | GOLD | 0.5-6 = ± 0.2 6-30 = ± 0.4 30-120 = ± 0.6 120-315 = ± 1 315-1000 = ± 1.6 1000-2000 = ± 2.4 | | | SIZE A | FSCM NO. 99001 | DWG. NO. 122423.DWG | REV. A |
| 5 | | | | | | SCALE NA | PART NO. 122423 | SHEET 1 OF 1 | |
| 6 | | | | | | | | | |
| 7 | | | | | | | | | |
| 8 | | | DO NOT SCALE DRAWING | | | | | | |