

## Excellent Integrated System Limited

Stocking Distributor

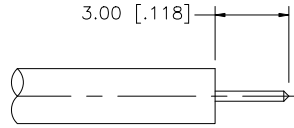
Click to view price, real time Inventory, Delivery & Lifecycle Information:

[Amphenol RF](#)  
[132248](#)

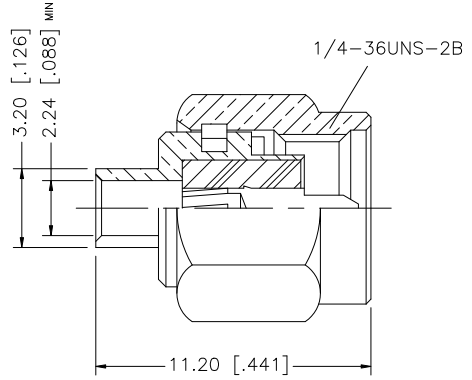
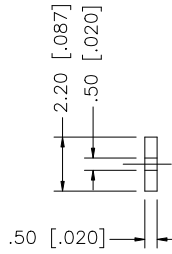
For any questions, you can email us directly:

[sales@integrated-circuit.com](mailto:sales@integrated-circuit.com)

REV.	DATE	DESCRIPTION
NC	06/12/02	INITIAL RELEASE
A	02/25/08	UPDATE DRAWING FORMAT, ADD BODY X-SECTION



RECOMMENDED  
CABLE STRIPPING DIM'S



REV.	DATE	DESCRIPTION	APPROVALS	DATE	Amphenol Connex						
8					<b>SMA SEMI RIGID PLUG (FOR .085", .086" CABLE)</b>						
7				DRAWN G.R.S. 02/25/08 CHECKED ISSUED SHEET 1 OF 1					PART DESCRIPTION		
6									PART NO.		
5									132248		
4									DWG. NO. 132248.DWG		
3					REV. A	SIZE A	SCALE NA				
2					UNLESS OTHERWISE SPECIFIED DIMENSIONS ARE IN MILLIMETERS. DIMENSIONS IN [ ] ARE IN INCHES AND FOR CUSTOMER REFERENCE ONLY. UNLESS OTHERWISE SPECIFIED TOLERANCES FOR MILLIMETERS ARE: 0.5 - 8mm ± 0.20mm 8 - 30mm ± 0.40mm 30 - 120mm ± 0.50mm UNLESS OTHERWISE SPECIFIED TOLERANCES FOR INCHES ARE: .020 - .315 = ± 0.007" .315 - 1.180 = ± 0.015" 1.180 - 4.724 = ± 0.020" DO NOT SCALE DRAWING						
1					CAD FILE C:/132/132248.DWG						
DESCRIPTION	MATERIAL	FINISH	QTY								
4 CONTACT PIN	BER. COPPER	GOLD	1								
3 INSULATOR	TEFLON	NATURAL	1								
2 BODY	BRASS	GOLD	1								
1 COUPLING NUT	PASSIVATED S.S.	GOLD	1								