

Excellent Integrated System Limited

Stocking Distributor

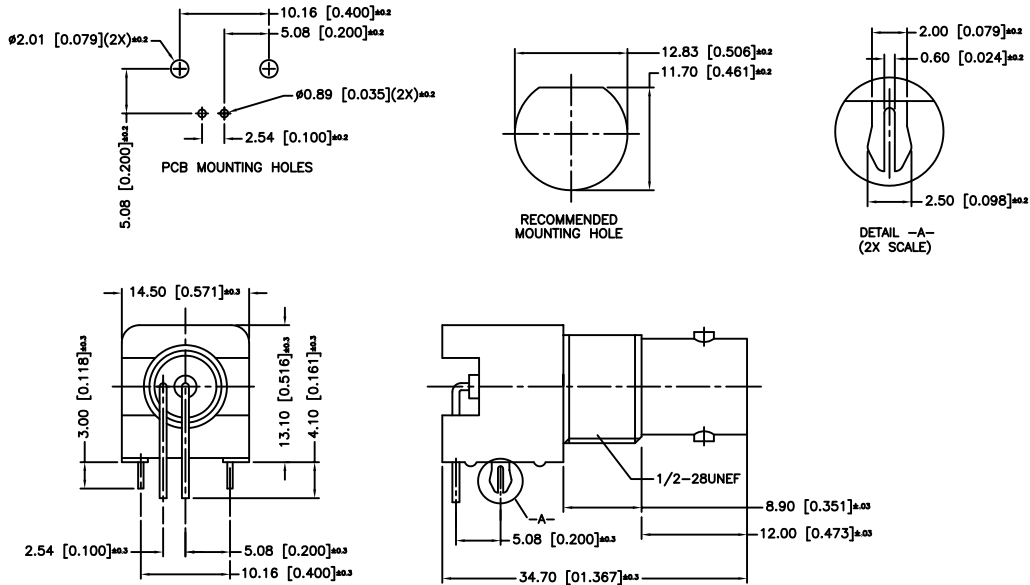
Click to view price, real time Inventory, Delivery & Lifecycle Information:

[Amphenol RF](#)
[112419](#)

For any questions, you can email us directly:

sales@integrated-circuit.com

REV.	DATE	ECR.NO	DESCRIPTION
A	02/12/04	--	UPDATE DRAWING FORMAT/ MODIFY BODY
B	07/28/06	--	REVISE BODY HEIGHT TO 13.10
C	06/28/07	--	REVISE BACK HOUSING SHOWING BACK CONTACT PINS CAPTIVATED
D	09/27/10	2012	HARDWARES REMOVED



NOTE:
1. MAX. PANEL THICKNESS = 5mm [0.197]

				UNLESS OTHERWISE SPECIFIED DIMENSIONS ARE IN MILLIMETERS (DIMENSIONS IN [] ARE IN INCHES AND FOR CUSTOMER REFERENCE ONLY.)	APPROVALS	DATE	Amphenol Connex		
				UNLESS OTHERWISE SPECIFIED TOLERANCES FOR MILLIMETERS ARE: 0.5 - 8mm ± 0.20mm 8 - 30mm ± 0.40mm 30 - 120mm ± 0.50mm	DRAWN G.R.S.	02/12/04	PART DESCRIPTION BNC R/A PC MOUNT RECEPT. JACK		
				UNLESS OTHERWISE SPECIFIED TOLERANCES FOR INCHES ARE: .020 - .315 = ± 0.007" .315 - 1.180 = ± 0.015" 1.180 - 4.724 = ± 0.020"	CHECKED				
5	MOUNTING POST	BRASS	TIN PLATE	1	ISSUED		DWG. NO. 112419.DWG		
4	CONTACT PIN	PHOS. BRONZE	GOLD	1	SHEET	1 OF 1			
3	INSULATOR	P.P.	NATURAL	1	CAD FILE C:/112/112419.DWG				
2	BODY	ZINC DIE CAST	NICKEL	1					
1	HOUSING	P.B.T.	WHITE	1					
DESCRIPTION MATERIAL FINISH QTY				DO NOT SCALE DRAWING					