

Excellent Integrated System Limited

Stocking Distributor

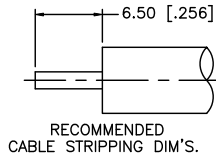
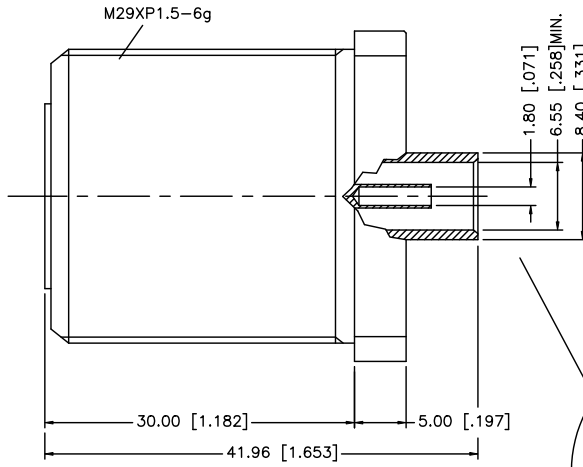
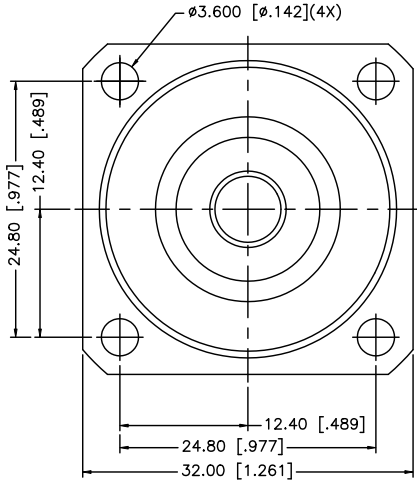
Click to view price, real time Inventory, Delivery & Lifecycle Information:

[Amphenol RF](#)
[272101](#)

For any questions, you can email us directly:

sales@integrated-circuit.com

REV.	DATE	DESCRIPTION
NC	5/25/00	INITIAL RELEASE
A	12/29/00	UPDATE PLATING TO SILVER
B	09/10/06	REVISE BODY DESIGN , PLATING TO NEXCOTE, UPDATE DRAWING FORMAT



				UNLESS OTHERWISE SPECIFIED DIMENSIONS ARE IN MILLIMETERS; DIMENSIONS IN [] ARE IN INCHES AND FOR CUSTOMER REFERENCE ONLY.	APPROVALS	DATE	Amphenol Connex
8				UNLESS OTHERWISE SPECIFIED TOLERANCES FOR MILLIMETERS ARE: 0.5 - 8mm ± 0.20mm 8 - 30mm ± 0.40mm 30 - 120mm ± 0.50mm UNLESS OTHERWISE SPECIFIED TOLERANCES FOR INCHES ARE: .020 - .315 = ± 0.007" .315 - 1.180 = ± 0.015" 1.180 - 4.724 = ± 0.020" DO NOT SCALE DRAWING	DRAWN	G.R.S.	
7					CHECKED		
6					ISSUED		
5					SHEET	1 OF 1	
4							PART DESCRIPTION
3	CONTACT PIN	BER. COPPER	SILVER	1	7/16 PANEL JACK (FOR .250 SEMI-RIGID CABLE)		
2	INSULATOR	TEFLON	NATURAL	1	PART NO.		
1	BODY	BRASS	NEXCOTE	1	272101		
	DESCRIPTION	MATERIAL	FINISH	QTY	CAD FILE	DWG. NO.	REV. B SIZE A SCALE NA
					C:/272/272101.DWG	272101.DWG	