

## **Excellent Integrated System Limited**

Stocking Distributor

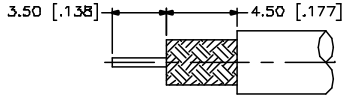
Click to view price, real time Inventory, Delivery & Lifecycle Information:

[Amphenol RF](#)  
[112332](#)

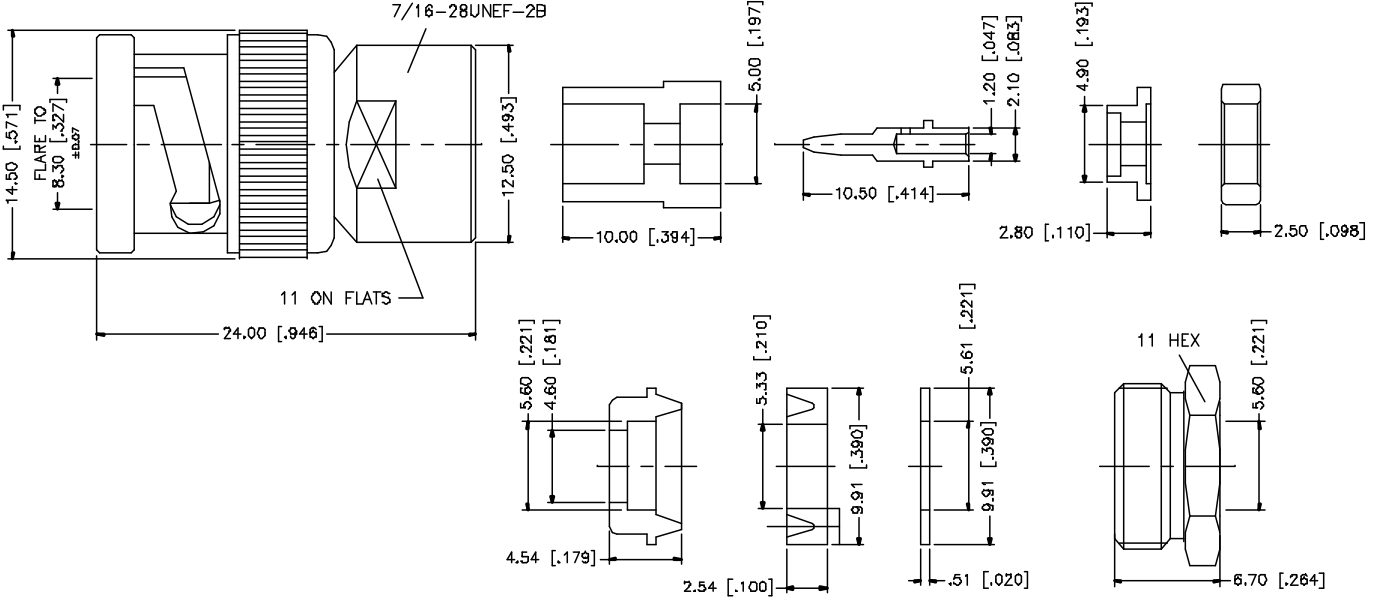
For any questions, you can email us directly:

[sales@integrated-circuit.com](mailto:sales@integrated-circuit.com)

REV.	DATE	DESCRIPTION
A	02/09/05	MODIFY INTERNAL DIMENSIONS / UPDATE DRAWING FORMAT



RECOMMENDED  
CABLE STRIPPING DIM'S



QTY	DESCRIPTION	MATERIAL	FINISH	QTY	APPROVALS	DATE	<h2 style="color: blue; margin: 0;">Amphenol Connex</h2>
9	HEX NUT	BRASS	NICKEL	1	APPROVED	02/09/05	
8	WASHER	BRASS	NICKEL	1	DRAWN	G.R.S.	
7	GASKET	SILICONE	RED	1	CHECKED		PART DESCRIPTION
8	BRAID CLAMP	BRASS	NICKEL	1	ISSUED		
5	RING	BRASS	NICKEL	1	SHEET	1 OF 1	PART NO.
4	INSULATOR	DELRI	NATURAL	1			
3	CONTACT PIN	BRASS	GOLD	1			112332
2	INSULATOR	DELRI	NATURAL	1			
1	BODY	BRASS	NICKEL	1			DWG. NO. 112332.DWG REV. A SIZE A SCALE NA
	DESCRIPTION	MATERIAL	FINISH	QTY	CAD FILE	C:/112/112332.DWG	

UNLESS OTHERWISE SPECIFIED DIMENSIONS ARE IN MILLIMETERS. DIMENSIONS IN [ ] ARE IN INCHES AND FOR SUBSTITUTED REFERENCED ONLY.

UNLESS OTHERWISE SPECIFIED TOLERANCES FOR MILLIMETERS ARE:  
 0.5 - 30mm ± 0.20mm  
 30 - 120mm ± 0.40mm  
 120 - 150mm ± 0.50mm

UNLESS OTHERWISE SPECIFIED TOLERANCES FOR INCHES ARE:  
 .020 - .315 = ± 0.0075  
 .315 - 1.180 = ± 0.015  
 1.180 - 4.724 = ± 0.020

DO NOT SCALE DRAWING