

Excellent Integrated System Limited

Stocking Distributor

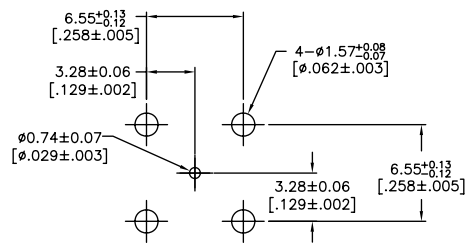
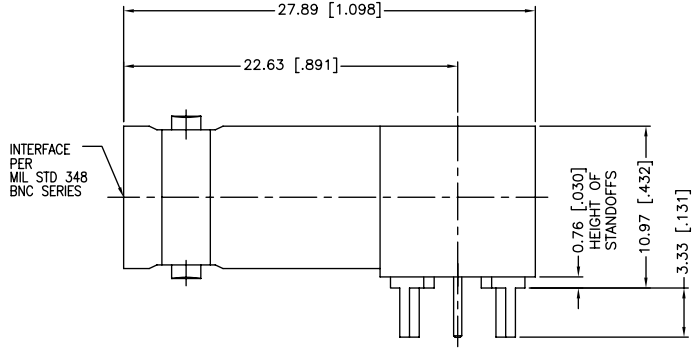
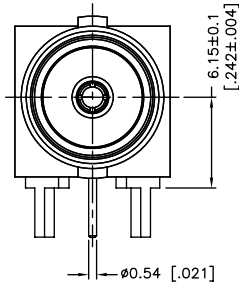
Click to view price, real time Inventory, Delivery & Lifecycle Information:

[Amphenol RF](#)
[112778](#)

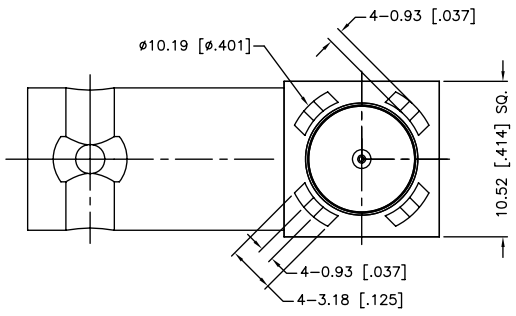
For any questions, you can email us directly:

sales@integrated-circuit.com

REV.	DATE	ECR NO.	DESCRIPTION
NC	03/06/10	XXXXXX	INITIAL RELEASE
A	06/18/10	2060	CHANG LEG THICKNESS TO FIT INTO BOARD .062"



RECOMMENDED
PCB CONFIGURATION



1. FREQUENCY RANGE: DC-4 GHz
2. VSWR(RETURN LOSS): -28 dB

APPROVALS	DATE
DRAWN M.ZHANG	06/18/10
CHECKED	
ISSUED	
SHEET 1 OF 1	
CAD FILE C:/CONNEX/112778.DWG	

Amphenol Connex	
PART DESCRIPTION	
BNC R/A JACK RECEPTACLE PCB MOUNT (75 OHM)	
PART NO. 112778	
DWG. NO. 112778.DWG	REV. A SIZE A SCALE NA

DESCRIPTION	MATERIAL	FINISH	QTY
5 LOCK RING	BRASS	NICKEL	1
4 INSULATOR	PTFE	NATURAL	1
3 CONTACT PIN	BER. COPPER	GOLD	1
2 INSULATOR	PTFE	NATURAL	1
1 BODY	BRASS	NICKEL	1

UNLESS OTHERWISE SPECIFIED DIMENSIONS ARE IN MILLIMETERS. DIMENSIONS IN [] ARE IN INCHES AND FOR CUSTOMER REFERENCE ONLY.
 UNLESS OTHERWISE SPECIFIED TOLERANCES FOR MILLIMETERS ARE:
 0.5 - 8mm ± 0.20mm
 8 - 30mm ± 0.40mm
 30 - 120mm ± 0.50mm
 UNLESS OTHERWISE SPECIFIED TOLERANCES FOR INCHES ARE:
 .020 - .315 = ± 0.007"
 .315 - 1.180 = ± 0.015"
 1.180 - 4.724 = ± 0.020"
 DO NOT SCALE DRAWING