

Excellent Integrated System Limited

Stocking Distributor

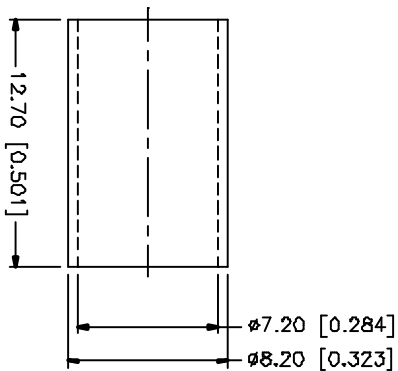
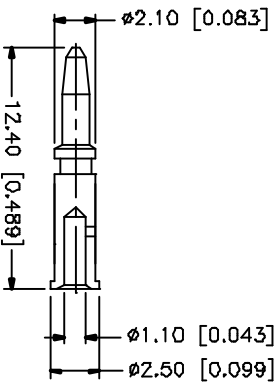
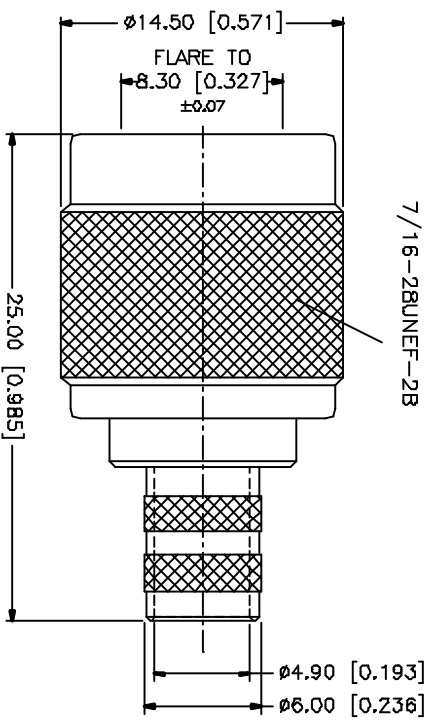
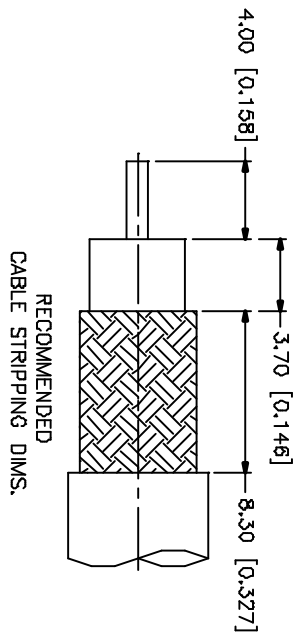
Click to view price, real time Inventory, Delivery & Lifecycle Information:

[Amphenol RF](#)
[122465](#)

For any questions, you can email us directly:

sales@integrated-circuit.com

REV.	DATE	DESCRIPTION
NC	06/30/04	INITIAL RELEASE



NOTE:

1. CRIMPED FERRULE
HEX CRIMP SIZE .278"
2. CRIMPED CONTACT PIN
HEX CRIMP SIZE .068"

DESCRIPTION	MATERIAL	FINISH	QTY	DO NOT SCALE DRAWING	APPROVALS	DATE	DWG. NO.	REV.	SIZE	SCALE
8										
7										
6										
5										
4	FERRULE	COPPER	1							
3	CONTACT PIN	BRASS	1							
2	INSULATOR	TEFLON	1							
1	BODY	BRASS	1							

UNLESS OTHERWISE SPECIFIED DIMENSIONS ARE IN MILLIMETERS, PARENTHESIS IN [] ARE IN INCHES AND FOR DIMENSIONS REFERENCED DIMS.	APPROVALS	DATE
UNLESS OTHERWISE SPECIFIED TOLERANCES FOR MILLIMETERS ARE: 0.5 - 30mm ± 0.20mm 30 - 50mm ± 0.40mm 50 - 120mm ± 0.50mm	DRAWN G.R.S.	06/30/04
UNLESS OTHERWISE SPECIFIED TOLERANCES FOR INCHES ARE: .020 - .315 ± 0.007" .315 - 1.180 ± 0.015" 1.180 - 4.724 ± 0.020"	CHECKED	
	ISSUED	
	SHEET	1 OF 1
	CAD FILE	
	C:/122/122465.DWG	
	DWG. NO.	122465.DWG
	REV.	NC
	SIZE	A
	SCALE	NA

Amphenol Connex	
TNC CRIMP PLUG (FOR RG 6/U, B1694A, B9248 CABLE)	
122465	