

Excellent Integrated System Limited

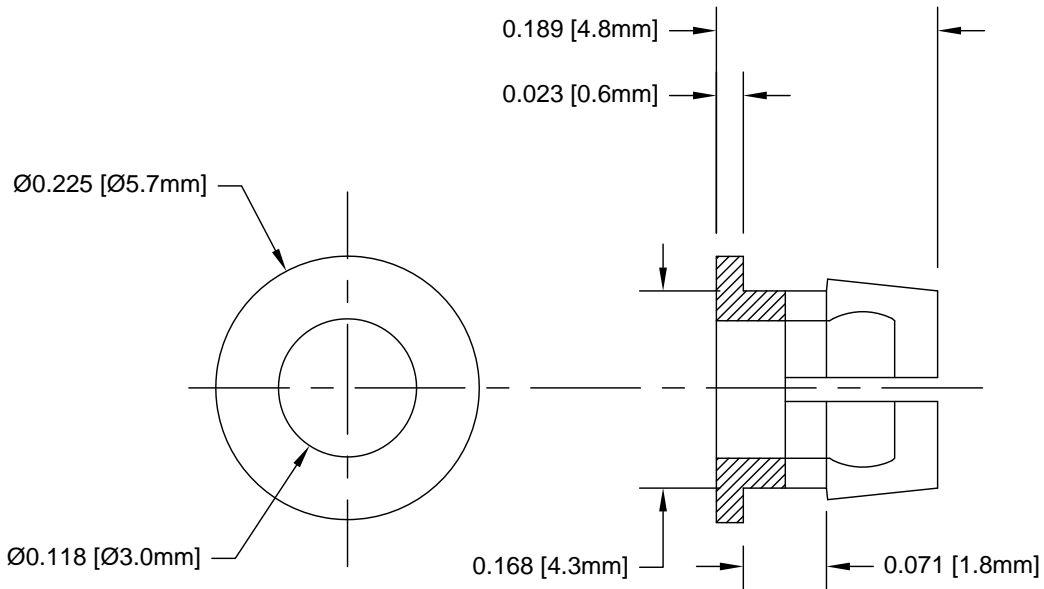
Stocking Distributor

Click to view price, real time Inventory, Delivery & Lifecycle Information:

[Bivar, Inc.](#)
[C-101](#)

For any questions, you can email us directly:
sales@integrated-circuit.com

REV.	DESCRIPTION	DATE	APPROVED
A	Engineering Release	01/23/07	M. C.
B	Changed Outer Diameter from .232 to .225	03/28/07	M. C.
C	Added 0.168 Dimension	08/12/09	T. Y.
D	Removed Material Code	05/28/16	J. C.



2. MATERIAL: NYLON 6/6, 94V-2, BLACK.

1. GENERAL SPECIFICATIONS: BIVAR MOLDED COMPONENT SPECIFICATION BV00-101.

STANDARD TOLERANCE (UNLESS OTHERWISE SPECIFIED)		BIVAR [®]									
<table border="0"> <tr> <td>DECIMALS</td> <td>ANGULAR</td> </tr> <tr> <td>.X ± .1</td> <td>X° ± 1°</td> </tr> <tr> <td>.XX ± .01</td> <td></td> </tr> <tr> <td>.XXX ± .005</td> <td></td> </tr> </table>		DECIMALS	ANGULAR	.X ± .1	X° ± 1°	.XX ± .01		.XXX ± .005		4 THOMAS, IRVINE, CA. 92618 TEL: (949) 951-8808 FAX: (949) 951-3974	
DECIMALS	ANGULAR										
.X ± .1	X° ± 1°										
.XX ± .01											
.XXX ± .005											
DESIGNED: S. Dam		DATE: 01/23/07	REVISION: D								
CHECKED: T. Yin		DATE: 01/23/07	TITLE: T-1 (3mm) LED CLIP								
		PART NO: C-101	CAGE CODE : 32559 SHEET # 1 OF 1								
CAD GENERATED DOCUMENT. DO NOT MEASURE DRAWING.											