

Excellent Integrated System Limited

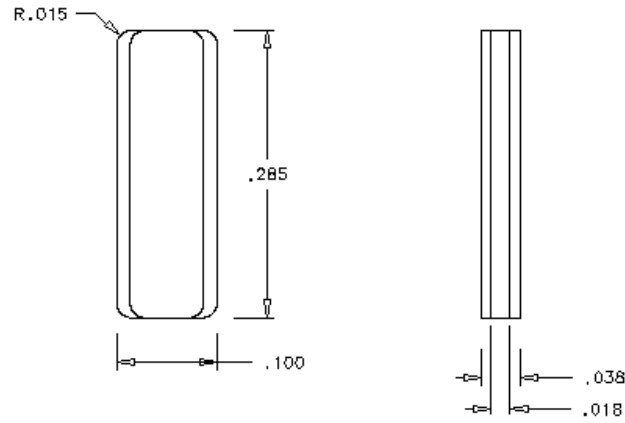
Stocking Distributor

Click to view price, real time Inventory, Delivery & Lifecycle Information:

[Sullins Connector Solutions](#)
[PLC-K1](#)

For any questions, you can email us directly:

sales@integrated-circuit.com



NOTE:

- 1.0 MATERIAL: PLC-K1 - WHITE THERMOPLASTIC POLYESTER
- 2.0 ALTERNATE MATERIAL NLC-K1 - WHITE NYLON 6/6
- 3.0 TOLERANCE IS $\pm .002$ UNLESS OTHERWISE NOTED.
- 3.0 USE BETWEEN CONTACTS IN .100, .125, .150 AND .156 INCH CENTER HIGH PROFILE CONNECTORS.

<i>Sullins Electronics Corporation</i> <small>801 East Welfar Road, San Marcos, California 92078 Phone (760) 744-0199 Fax (760) 744-8081</small>	
DRAWN BY: Nop	DATE: FEBRUARY 4, 1999
PART NUMBER: PLC-K1	DRAWING NUMBER: 105