

## Excellent Integrated System Limited

Stocking Distributor

Click to view price, real time Inventory, Delivery & Lifecycle Information:

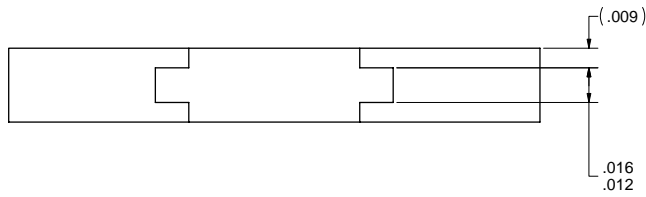
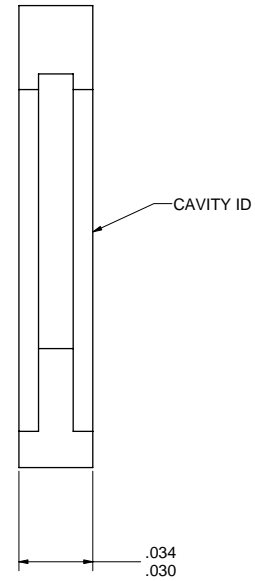
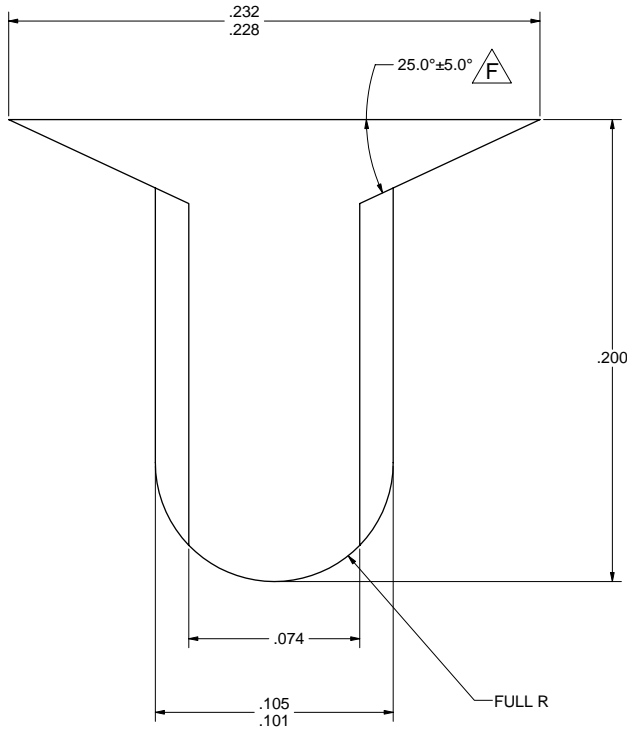
[Sullins Connector Solutions](#)

[PLA-K1](#)

For any questions, you can email us directly:

[sales@integrated-circuit.com](mailto:sales@integrated-circuit.com)

REVISIONS				
REV.	ECO NO	DESCRIPTION	DATE	BY
E	1	REDRAWN IN SOLIDWORKS	4/29/03	HS
F	468	CHANGED 25*±1" TO 25*±5"	12/3/2004	JFW



NOTES:  
 1. MATERIAL: WHITE VALOX 420 SE0 OR NYLON 6/6

UNLESS OTHERWISE SPECIFIED: DIMENSIONS ARE IN INCHES[MM] TOLERANCES: ANGULAR: ± .1 XX: ± .02 [.508] XXX: ± .005 [.1270] XXXX: ± .0005 [.0127] PARENTHETICAL INFORMATION IS FOR REFERENCE ONLY  INTERPRET DIMENSIONS AND GEOMETRIC TOLERANCING PER: ANSI Y14.5-1984	DATE	NAME	<b>SULLINS ELECTRONICS</b> KEY, POLARIZING <b>PART NO.: PLA-K1</b>
	12/3/2004	JFW	
THE INFORMATION HEREON CONTAINS PROPRIETARY RIGHTS OF SULLINS ELECTRONICS AND IS NOT TO BE REPRODUCED, USED OR DISCLOSED TO OTHERS FOR ANY PURPOSES EXCEPT AS SPECIFICALLY AUTHORIZED IN WRITING BY SULLINS ELECTRONICS.	SIZE	DIWG. NO.	REV
	C	102	F
	SCALE: 32:1		SHEET 1 OF 1