

## Excellent Integrated System Limited

Stocking Distributor

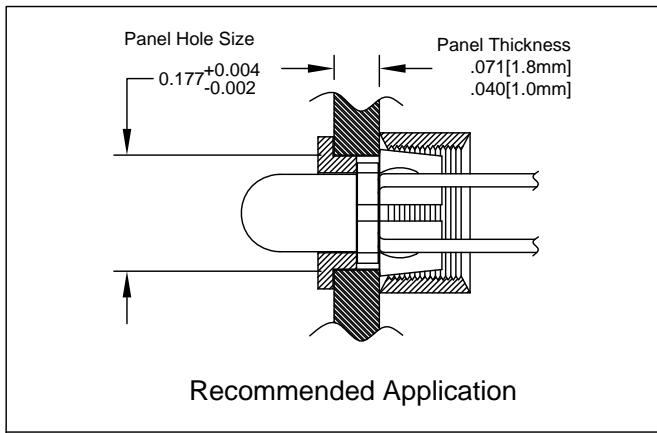
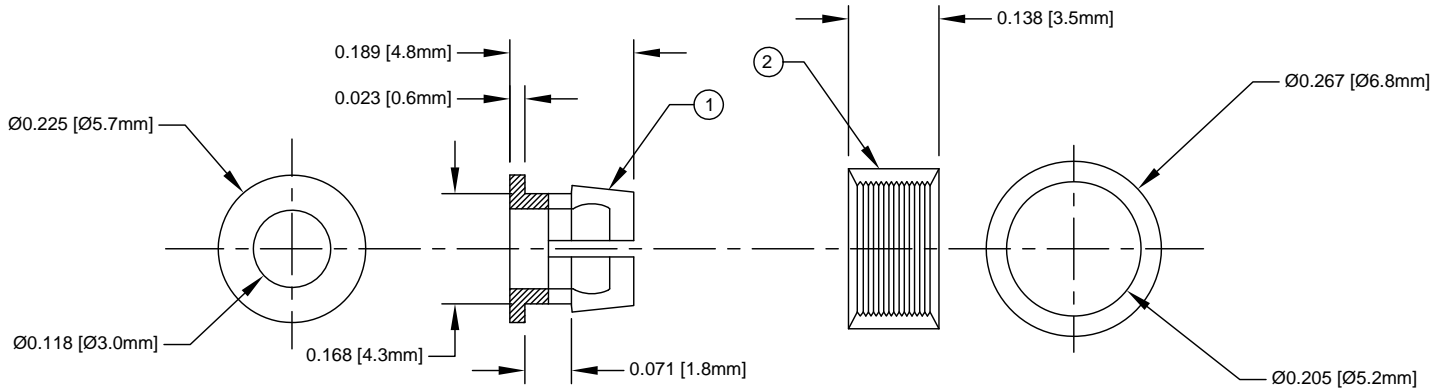
Click to view price, real time Inventory, Delivery & Lifecycle Information:

[Bivar, Inc.](#)  
[CR-101](#)

For any questions, you can email us directly:  
[sales@integrated-circuit.com](mailto:sales@integrated-circuit.com)

ITEM	QTY	PART NUMBER	PART DESCRIPTION
1	1	C-101	T-1 (3mm) LED Clip
2	1	R-101	T-1 (3mm) LED Ring

REV.	DESCRIPTION	DATE	APPROVED
A	Engineering Release	01/23/07	M. C.
B	Part Description Update	06/03/09	T. Y.
C	Updated Ø.225 and .168" Dimensions	09/30/10	T. Y.
D	Removed Material Code	05/28/16	J. C.



2. MATERIAL: NYLON 6/6, 94V-2, BLACK.

1. GENERAL SPECIFICATIONS: BIVAR MOLDED COMPONENT SPECIFICATION BV00-101.

STANDARD TOLERANCE (UNLESS OTHERWISE SPECIFIED)		 4 THOMAS, IRVINE, CA. 92618 TEL: (949) 951-8808 FAX: (949) 951-3974	
DECIMALS .X ±.1 .XX ±.01 .XXX ±.005	ANGULAR X° ±1°	<b>TITLE:</b> T-1 (3mm) LED CLIP AND RING SET	
<b>DESIGNED:</b> S. Dam	<b>DATE:</b> 01/23/07	<b>PART NO:</b> CR-101	<b>REVISION:</b> D
<b>CHECKED:</b> T. Yin	<b>DATE:</b> 01/23/07	<b>CAGE CODE :</b> 32559	<b>SHEET # 1 OF 1</b>
CAD GENERATED DOCUMENT. DO NOT MEASURE DRAWING.			