

## Excellent Integrated System Limited

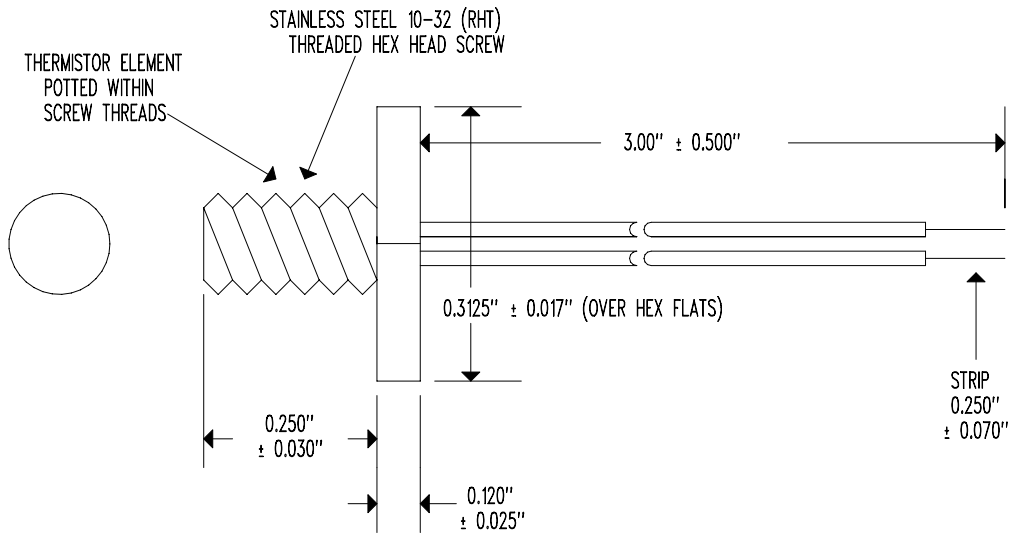
Stocking Distributor

Click to view price, real time Inventory, Delivery & Lifecycle Information:

[US Sensor](#)  
[USP12840](#)

For any questions, you can email us directly:

[sales@integrated-circuit.com](mailto:sales@integrated-circuit.com)



RESISTANCE @ +25°C = 10,000 Ω ± 1%  
 RESISTANCE/TEMPERATURE CURVE= "J"  
 TEMPERATURE COEFFICIENT @ +25°C = -4.4%/°C NOMINAL  
 BETA "β" (0 TO +50°C) = 3,892°K NOMINAL  
 MAXIMUM TEMPERATURE RATING = +125°C

LEAD WIRE: 30 AWG (0.010" DIAMETER), SINGLE CONDUCTOR,  
 SOLID CONDUCTOR, KYNAR INSULATED

\*\*\* ROHS COMPLIANT \*\*\*

SEE MANUFACTURING SPECIFICATION (LAYER 1)

NONE	RELEASE TO PRODUCTION	01/11/12	DD
REV	REVISION RECORD	DATE	APP

SCALE NONE	© COPYRIGHT <b>U.S. SENSOR CORP.</b> 714-639-1000 www.ussensor.com <b>THERMISTOR PROBE</b> P/N USP12840
DRAWN BY DAN DANKERT	
DATE 01/11/12	
REV. NONE	
LAYER 0 OF 2	