

## **Excellent Integrated System Limited**

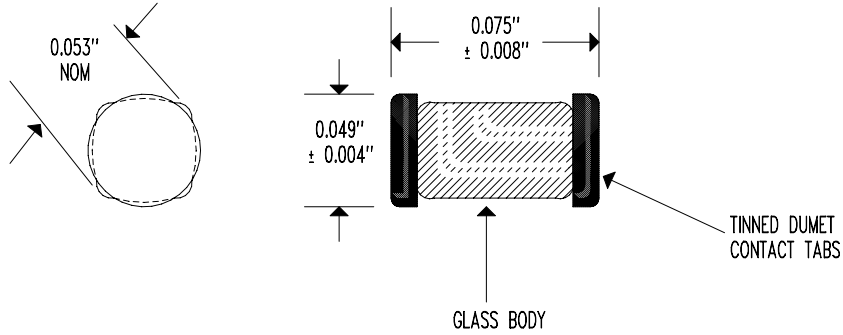
Stocking Distributor

Click to view price, real time Inventory, Delivery & Lifecycle Information:

[US Sensor](#)  
[MM103J1F](#)

For any questions, you can email us directly:

[sales@integrated-circuit.com](mailto:sales@integrated-circuit.com)



RESISTANCE @ +25°C = 10,000 Ω ± 1%  
 RESISTANCE/TEMPERATURE CURVE = "J"  
 BETA "β" (0 TO +50°C) = 3,892°K NOMINAL  
 TEMPERATURE COEFFICIENT @ +25°C = -4.4%/°C NOMINAL  
 DISSIPATION CONSTANT = 1 mW/°C NOMINAL  
 THERMAL TIME CONSTANT = 5 SECONDS MAXIMUM  
 MAXIMUM TEMPERATURE RATING = +220°C

NONE	RELEASE TO PRODUCTION	12/18/02	DD
REV	REVISION RECORD	DATE	APP

SCALE	NONE	U.S. SENSOR CORP. 1832 W. COLL INS AVE. ORANGE, CA. 92867
DRAWN BY	DAN DANKERT	
DATE	12/18/02	NTC THERMISTOR
REV.	NONE	P/N MM103J1F
LAYER	0 OF 1	