



Distributor of CTS Electronic Components: Excellent Integrated System Limited

Datasheet of 2425-018-X7R0-470ZLF - CAP FEEDTHRU 47PF 100V X7R

Contact us: sales@integrated-circuit.com Website: www.integrated-circuit.com

Excellent Integrated System Limited

Stocking Distributor

Click to view price, real time Inventory, Delivery & Lifecycle Information:

[CTS Electronic Components](#)
[2425-018-X7R0-470ZLF](#)

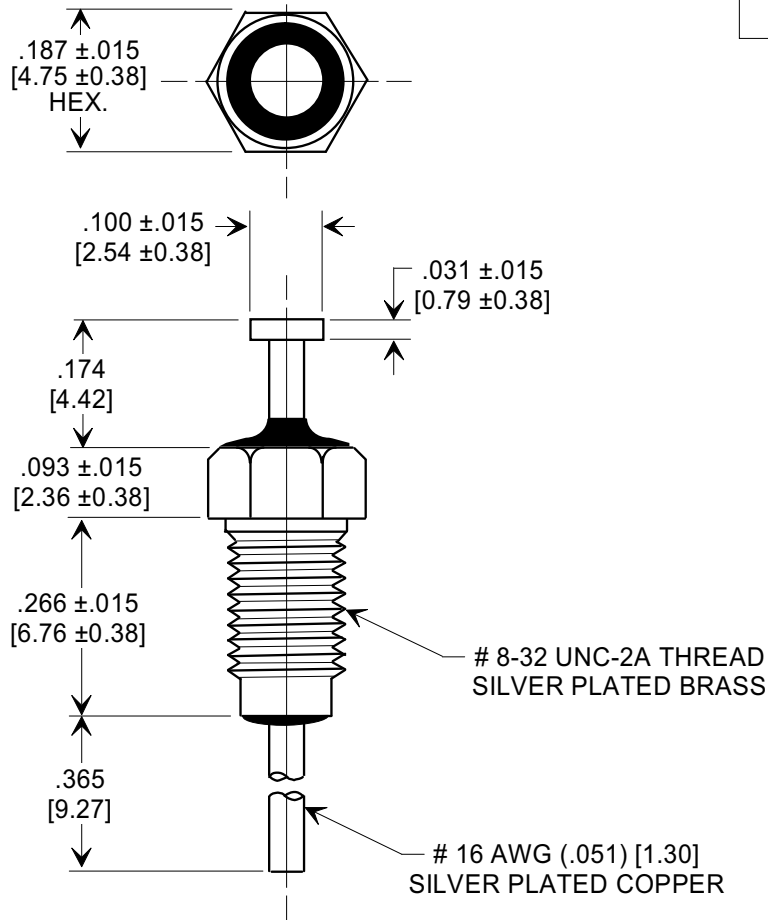
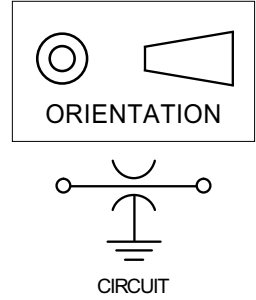
For any questions, you can email us directly:

sales@integrated-circuit.com

This drawing is the property of Tusonix, Inc., and may not be used, reproduced, published or disclosed to others without written authorization by Tusonix Inc.

Electrical Testing per Tusonix standard test plans and Mil-Std-202 Test Methods.

MARKETING SALES DRAWING
DIMENSIONS IN INCHES - DO NOT SCALE THIS DRAWING
DIMENSIONS IN METRIC - []



NOTES:

1. SUPPLIED WITH SILVER PLATED HEX NUT AND INTERNAL TOOTH LOCK WASHER.
2. MOUNTING TORQUE NOT TO EXCEED 5 lb - in. MAX. [.565 N-m]
3. TUSONIX STANDARD PART NUMBER: 2425-018-X7R0-470Z. TUSONIX RoHS COMPLIANT PART NUMBER: 2425-018-X7R0-470Z LF. CUSTOMER MUST SPECIFY STANDARD OR RoHS PART NUMBER WHEN ORDERING.
4. PART MARKING: STANDARD: BLACK INK FOR TRADEMARK AND CAP. CODE. RoHS PART: GREEN FOR TRADEMARK AND CAP. CODE.

SPECIFICATIONS

Tusonix Style:	2425-018
Capacitance Value:	47 pF
Capacitance Tolerance:	+80, -20%
Temp. Characteristic:	X7R
Rating:	100 VDC @ +125°C
Current (A):	20
Operating Range:	-55°C TO +125°C
Insulation Resistance:	10,000 megohms (min.) @ +25°C
DWV @ 2 Sec. Min:	600 VDC

REVISION RECORD Original Release ECO-2600	A	 TUCSON, ARIZONA	--TOLERANCES-- Unless Otherwise Specified	Title MINIATURE BUSHING FEED-THRU	
			DECIMAL ± .031 [0.79]	Drawn L.E. 01-17-12	
			ANGLES ±	Approved R.L. 01-17-12	
			A	2425-018-X7R0-470Z	