

Excellent Integrated System Limited

Stocking Distributor

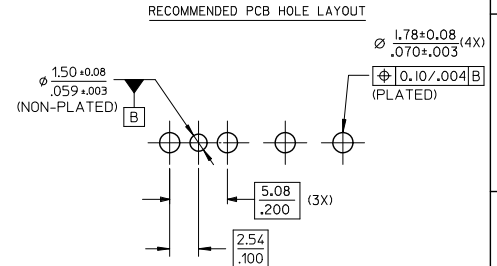
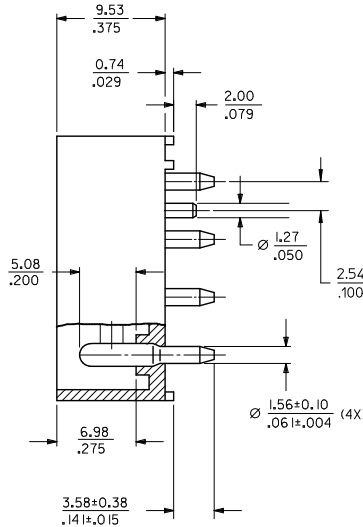
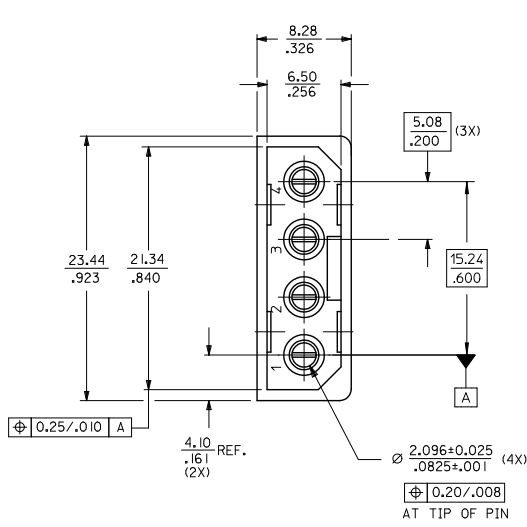
Click to view price, real time Inventory, Delivery & Lifecycle Information:

[Molex Connector Corporation](#)
[0015244744](#)

For any questions, you can email us directly:

sales@integrated-circuit.com

MAT'L NO.	ENG NO.
15-24-4744	A-8981-4V7-LF



NOTES :

1. PLATING
POSTPLATE 0.00254/.000100 MIN. TIN
OVER 0.00127/.000050 MIN. NICKEL OVERALL.
2. PART TO MATE WITH HOUSING 8981-4P2
AND TERMINAL 8980-3*.
3. PRODUCT SPEC PS-8981-4V4/4R1-P APPLIES.
4. MATERIAL:
HOUSING - PCT, GLASS FILLED, UL94V-0
COLOR BLACK
TERMINAL - PHOS BRONZE

ADD PEG DIMENSION EC NO. S2010-0692 DRAWN:SKANG CHKD:ATSEE APPR:MLONG	QUALITY SYMBOLS ▽=0 ▽=0	GENERAL TOLERANCES (UNLESS SPECIFIED)		DIMENSION STYLE MM/IN		SCALE NTS	DESIGN UNITS METRIC	THIRD ANGLE PROJECTION	
		4 PLACES ± --- ± ---	3 PLACES ± --- ± .008	2 PLACES ± 0.20 ± ---	1 PLACE ± --- ± ---	ANGULAR ± 3 °	DRAWN BY SKTOH	DATE 1992/04/28	TITLE POWER CONNECTOR, 4 CKTS VERTICAL MOUNT
D2	DESCRIPTION REV	DRAFT WHERE APPLICABLE MUST REMAIN WITHIN DIMENSIONS		MATERIAL NO. SEE TABLE		MOLONG		MATERIAL NO. SD-8981-4V7	
				SIZE A3		DOCUMENT NO. SD-8981-4V7		SHEET NO. 1 OF 1	