

Excellent Integrated System Limited

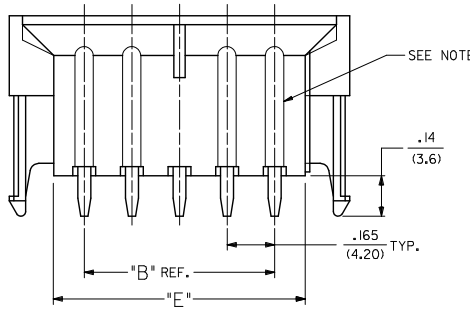
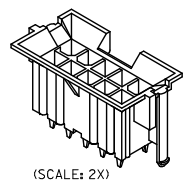
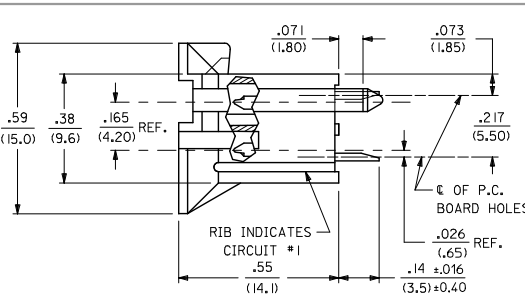
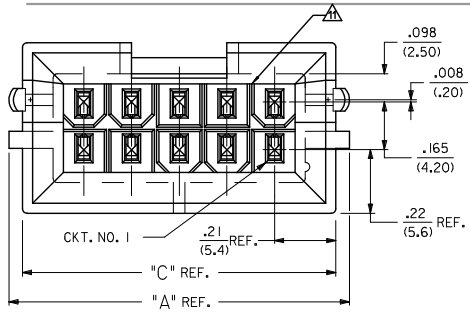
Stocking Distributor

Click to view price, real time Inventory, Delivery & Lifecycle Information:

[Molex Connector Corporation](#)
[0015246102](#)

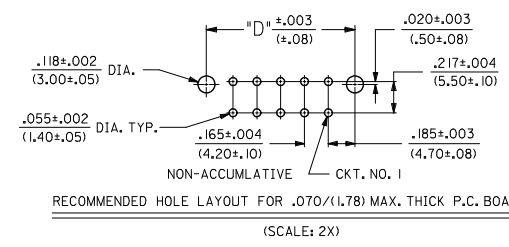
For any questions, you can email us directly:

sales@integrated-circuit.com



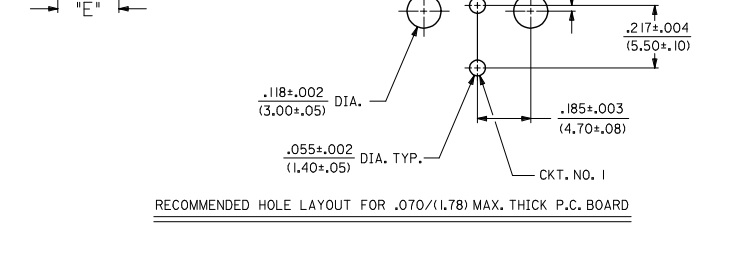
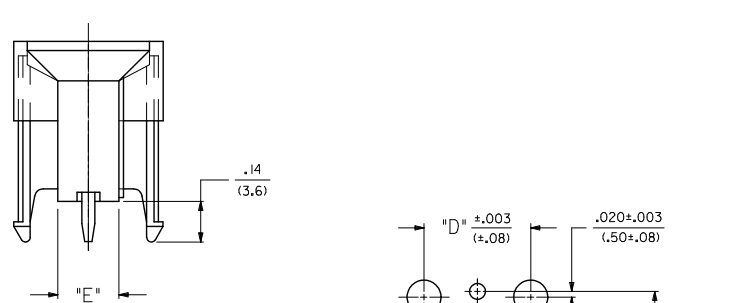
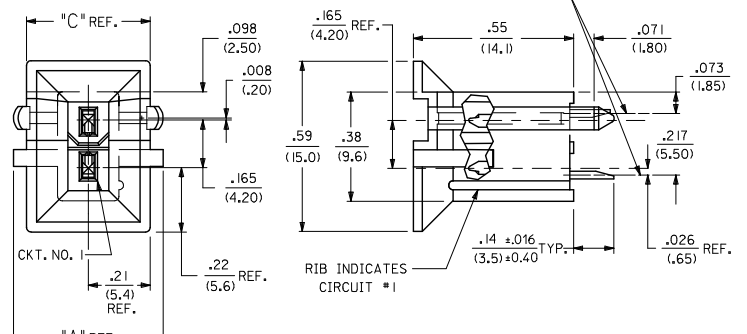
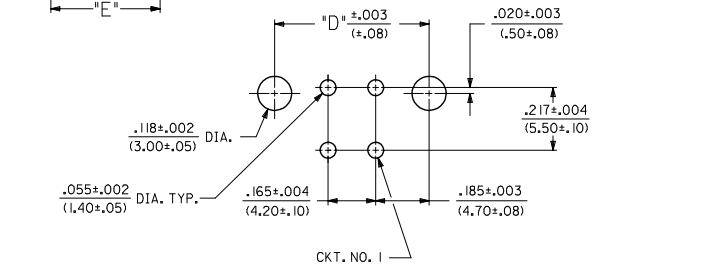
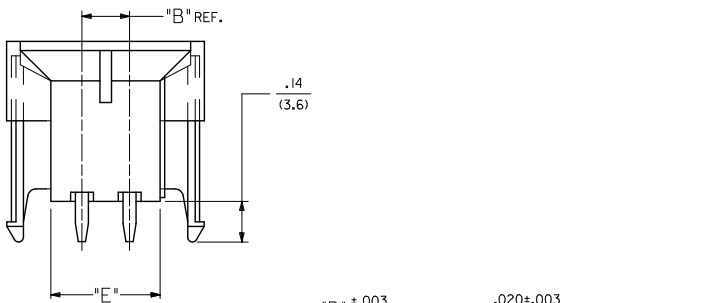
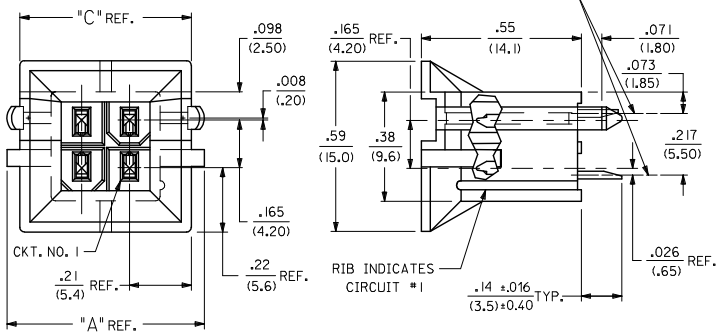
CIRCUIT SIZE	DIM. 'A'	DIM. 'B'	DIM. 'C'	DIM. 'D'	DIM. 'E'
2	.520 (13.20)	—	.425 (10.80)	.370 (9.40)	.21 (5.4)
4	.685 (17.40)	.17 (4.2)	.590 (15.00)	.535 (13.60)	.38 (9.6)
6	.850 (21.60)	.33 (8.4)	.756 (19.20)	.701 (17.80)	.54 (13.8)
8	1.016 (25.80)	.50 (12.6)	.921 (23.40)	.866 (22.00)	.71 (18.0)
10	1.181 (30.00)	.66 (16.8)	1.087 (27.60)	1.031 (26.20)	.87 (22.2)
12	1.346 (34.20)	.83 (21.0)	1.252 (31.80)	1.197 (30.40)	1.04 (26.4)
14	1.512 (38.40)	.99 (25.2)	1.417 (36.00)	1.362 (34.60)	1.20 (30.6)
16	1.677 (42.60)	1.16 (29.4)	1.583 (40.20)	1.528 (38.80)	1.37 (34.8)
18	1.843 (46.80)	1.32 (33.6)	1.748 (44.40)	1.693 (43.00)	1.54 (39.0)
20	2.008 (51.00)	1.49 (37.8)	1.913 (48.60)	1.858 (47.20)	1.70 (43.2)
22	2.173 (55.20)	1.65 (42.0)	2.079 (52.80)	2.024 (51.40)	1.87 (47.4)
24	2.339 (59.40)	1.82 (46.2)	2.244 (57.00)	2.189 (55.60)	2.03 (51.6)

LEGEND:
 A - 42440 - * * * *
 BASE NUMBER
 CIRCUIT SIZE (02-24)
 PLATING (SEE NOTE 2.)
 HOUSING MAT'L. & OPTIONS (SEE NOTE 1.)



---22, ---23	42474---21, 5556-GS*P	94V-0	BRASS	GOLD
---12, ---13	42474---11, 5556-GS*P	94V-2	BRASS	TIN
---11	42474---11, 5556-S*P	94V-2	BRASS	TIN
---22, ---23, ---12, ---13,	A-42385---B2, ---B4	94V-0	BRASS	GOLD
---21	A-42385---A2, ---A4	94V-2	BRASS	TIN
---11	A-42385---B1	94V-0	BRASS	TIN
---11	A-42385---A1	94V-2	BRASS	TIN
VERT. HEADER A-42440	MATING CONNECTOR	HSG. MAT'L. TERM. MAT'L. PLATING	MATING CONNECTOR FEATURES	

ADD. 0.40 TOL. EC NO: UCP2015-0706 2017/08/20 DRAWING: NGUYEN CHKD: BELL 2017/08/20 APPR: SMITH 2017/09/05 Q5 REV	QUALITY SYMBOLS 	GENERAL TOLERANCES (UNLESS SPECIFIED) <table border="1"> <tr><th></th><th>mm</th><th>INCH</th></tr> <tr><td>4 PLACES</td><td>± .010</td><td>± .0004</td></tr> <tr><td>3 PLACES</td><td>± .015</td><td>± .0005</td></tr> <tr><td>2 PLACES</td><td>± 0.25</td><td>± .010</td></tr> <tr><td>1 PLACE</td><td>± 0.38</td><td>± .015</td></tr> </table> ANGULAR ± 5°		mm	INCH	4 PLACES	± .010	± .0004	3 PLACES	± .015	± .0005	2 PLACES	± 0.25	± .010	1 PLACE	± 0.38	± .015	DIMENSION STYLE IN/MM	SCALE 4:1	DESIGN UNITS METRIC	THIRD ANGLE PROJECTION
				mm	INCH																
4 PLACES	± .010	± .0004																			
3 PLACES	± .015	± .0005																			
2 PLACES	± 0.25	± .010																			
1 PLACE	± 0.38	± .015																			
DRAFT WHERE APPLICABLE MUST REMAIN WITHIN DIMENSIONS	SEE CHART	MATERIAL NO. SDA-42440-****	DOCUMENT NO.	SHEET NO. 1 OF 4																	



RECOMMENDED HOLE LAYOUT FOR .070/(1.78) MAX. THICK P.C. BOARD

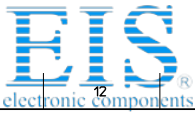
SEE SHEET 1 EC NO: UCP2013-0706 DRAWING NO: 2017/08/20 CHKD: BELL APPR: SMITH 2017/09/05	QUALITY SYMBOLS	GENERAL TOLERANCES (UNLESS SPECIFIED)	DIMENSION STYLE	SCALE	DESIGN UNITS	THIRD ANGLE PROJECTION
		mm INCH	IN/MM	1:1	METRIC	
	4 PLACES ± --- ± --- 3 PLACES ± --- ± .010 2 PLACES ± 0.25 ± .015 1 PLACE ± 0.38 ± --- ANGULAR ± 5°	DRAWN BY: GEP DATE: 1989/04/06 CHECKED BY: R/JF DATE: 1989/04/06 APPROVED BY: F/SMITH DATE: 2011/02/11	TITLE			
	DRAFT WHERE APPLICABLE MUST REMAIN WITHIN DIMENSIONS	MATERIAL NO. SEE CHART DOCUMENT NO. SDA-42440-**** SHEET NO. 2 OF 4	MINI-FIT B.M.I. VERTICAL HEADER ASSY MOLEX INCORPORATED			

NOTES:

- 1) MATERIAL:
 - HOUSING MATERIAL:
 - 1 = NYLON 6/6, UNFILLED UL 94V-2, COLOR: NATURAL
 - 2 = NYLON 6/6, UNFILLED UL 94V-0, COLOR: NATURAL
 - TERMINALS: BRASS
- 2) TERMINAL PLATING:
 - S = .000100/(0.00254) MIN, BRIGHT TIN OVER .000050/(0.00127) MIN, NICKEL
 - GS = .000030/(0.00076) MIN, SELECT GOLD AND .000100/(0.00254) MIN, SELECT MATTE TIN OVER .000050/(0.00127) MIN, NICKEL OVERALL
 - GS3 = .000050/(0.00127) MIN, SELECT GOLD AND .000100/(0.00254) MIN, SELECT MATTE TIN OVER .000050/(0.00127) MIN, NICKEL OVERALL
- 3) PRODUCT SPECIFICATION: PS-5556-002
- 4) PACKAGING: SEE CHARTS
- 5) 6-24 CIRCUIT PARTS MATE WITH MINI-FIT JR. RECEPTACLES 5557, 42474, 44516 AND HEADERS 42385, 2 AND 4 CIRCUIT PARTS MATE WITH 42385, 44516 AND 42474 ONLY.
- 6) PART ALLOWS FOR UP TO .100/(2.54) MISALIGNMENT WITH MATING RECEPTACLE IN ANY DIRECTION. SEE MATING CONNECTOR DRAWINGS FOR SPECIFIC ALLOWANCES.
- 7) CONNECTOR IS NOT DESIGNED FOR CURRENT SHARING.
- 8) CONNECTOR ASSEMBLIES ARE NOT BE MATED OR UNMATED WHILE CIRCUITS ARE LIVE.
- 9) RIB LOCATION IS DETERMINED BY MOLD DESIGN FOR MANUFACTURING EASE AND THE LOCATION DOES NOT AFFECT PART FUNCTION OR PERFORMANCE. LOCATION OF RIBS MAY VARY ON PARTS WITHIN MAUFACTURING LOT OR SHIPMENT. THIS DRAWING SHOWS TYPICAL RIB LOCATIONS.
- 10) PART CONFORMS TO CLASS "B" REQUIREMENTS OF COSMETIC SPECIFICATION PS-45499-002.

11) 12 CIRCUIT PARTS HAVE A SLOT BETWEEN CIRCUITS 7 AND 8.

SEE SHEET 1 EC NO: UCP2013-0706 DRAWING NO: 2017/08/20 CHKD: BELL APPR: SMITH 2017/09/05 Q5 REV	QUALITY SYMBOLS	GENERAL TOLERANCES (UNLESS SPECIFIED)	DIMENSION STYLE	SCALE	DESIGN UNITS	THIRD ANGLE PROJECTION
	▽=0	mm INCH	IN/MM	1:1	METRIC	
	▽=0	4 PLACES ± --- ± ---	DRAWN BY DATE	TITLE		
	▽=0	3 PLACES ± --- ± .010	GEP 1989/04/06	MINI-FIT B.M.I. VERTICAL HEADER ASSY		
	2 PLACES ± 0.25 ± .015	CHECKED BY DATE	MOLEX INCORPORATED			
	1 PLACE ± 0.38 ± ---	RJF 1989/04/06	MATERIAL NO. DOCUMENT NO. SHEET NO.			
	ANGULAR ± 5 °	APPROVED BY DATE	SEE CHART SDA-42440-**** 3 OF 4			
		FSMITH 2011/02/11	THIS DRAWING CONTAINS INFORMATION THAT IS PROPRIETARY TO MOLEX INCORPORATED AND SHOULD NOT BE USED WITHOUT WRITTEN PERMISSION			



Distributor of Molex Connector Corporation: Excellent Integrated System Limited

Datasheet of 0015246102 - CONN HEADER VERT 10POS T/H

Contact us: sales@integrated-circuit.com Website: www.integrated-circuit.com

13 12 11 10 9 8 7 6 5 4 3 2 1

Table with 4 columns: PLATING, DRAINS, PEGS, MAT'L, PACKAGING. Rows J, I, H, G, F, E, D, C, B, A. Includes part numbers like A-42440-0211 and A-42440-0212.

Table with 4 columns: PLATING, DRAINS, PEGS, MAT'L, PACKAGING. Rows G, F, E, D, C, B, A. Includes part numbers like A-42440-0213 and A-42440-0214.

Table with 4 columns: PLATING, DRAINS, PEGS, MAT'L, PACKAGING. Rows G, F, E, D, C, B, A. Includes part numbers like A-42440-0215 and A-42440-0216.

1b_frame_C.P.A.M.T Rev. F 2009/06/18 12 11 10 9 8 7 6 5 4 3 2 1

Technical drawing header containing: QUALITY SYMBOLS, GENERAL TOLERANCES, DIMENSION STYLE, SCALE 1:1, DESIGN UNITS METRIC, THIRD ANGLE PROJECTION, TITLE MINI-FIT B.M.I. VERTICAL HEADER ASSY, MOLEX INCORPORATED, SEE CHART, SDA-42440-****, SHEET NO. 4 OF 4.