

## Excellent Integrated System Limited

Stocking Distributor

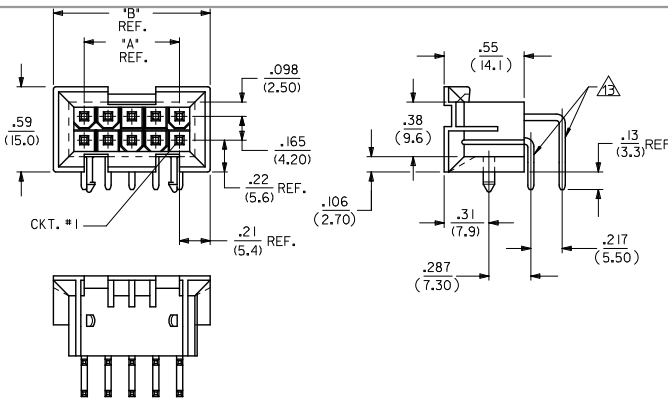
Click to view price, real time Inventory, Delivery & Lifecycle Information:

[Molex Connector Corporation](#)  
[0015249187](#)

For any questions, you can email us directly:

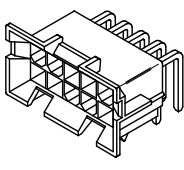
[sales@integrated-circuit.com](mailto:sales@integrated-circuit.com)

CIRCUIT SIZE	DIM. "A"	DIM. "B"
6	.331 (8.40)	.76 (19.2)
8	.496 (12.60)	.92 (23.4)
10	.661 (16.80)	1.09 (27.6)
12	.827 (21.00)	1.25 (31.8)
14	.992 (25.20)	1.42 (36.0)
16	1.157 (29.40)	1.58 (40.2)
18	1.323 (33.60)	1.75 (44.4)
20	1.488 (37.80)	1.91 (48.6)
22	1.654 (42.00)	2.08 (52.8)
24	1.819 (46.20)	2.24 (57.0)

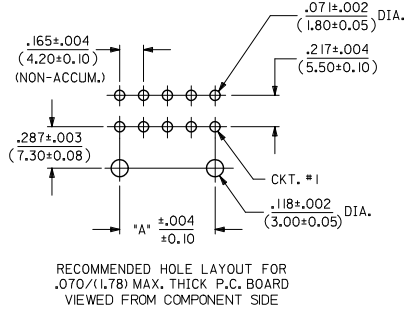


**NOTES:**

- 1) MATERIAL: HOUSING: "A" = NYLON 6/6, U.L. 94V-2, COLOR: NATURAL. "B" = NYLON 6/6, U.L. 94V-0, COLOR: NATURAL. TERMINAL: BRASS ALLOY
  - 2) TERMINAL PLATING:
    - 1 = .000100/(.00254) MIN. MATTE TIN OVER .000050/(.00127) MIN. NICKEL OVERALL.
    - 5 = .000030/(.00076) MIN. SELECT GOLD AND .000100/(.00254) MIN. SELECT MATTE TIN OVER .000050/(.00127) MIN. NICKEL OVERALL.
  - 3) PRODUCT SPECIFICATION: PS-5556-002
  - 4) PACKAGING SPECIFICATION: PK-42404-002.
  - 5) 4-24 CKT. PARTS MATE WITH MINI-FIT JR. RECEPTACLES #5557, #42385, #44516 AND #42474. 2 CKT. PART MATES WITH #42385, #44516 AND #42474 ONLY.
  - 6) PART ALLOWS FOR UP TO .100/(2.54) MISALIGNMENT WITH MATING RECEPTACLE IN ANY DIRECTION. SEE MATING CONNECTOR DRAWINGS FOR SPECIFIC ALLOWANCES.
  - 7) CONNECTOR ASSEMBLIES ARE NOT TO BE MATED OR UNMATED WHILE CIRCUITS ARE LIVE.
  - 8) A MAXIMUM TOLERANCE OF .050/(1.27) ALLOWS FOR 2 POINTS OF ELECTRICAL CONTACT. A MAXIMUM TOLERANCE OF .020/(.51) ALLOWS FOR 4 POINTS OF CONTACT.
  - 9) DISCOLORATION IN THE BANDOLIER CARRIER AREA OF THE PIN IS INHERENT TO THE PLATING PROCESS AND IS DUE TO THE MASKING EFFECT OF THE CARRIER. THIS DISCOLORATION IS IN A NON-FUNCTIONAL AREA OF THE PIN AND WILL NOT AFFECT THE PERFORMANCE OF THE HEADER ASSEMBLY.
  - 10) PART IS NOT DESIGNED FOR CURRENT SHARING.
  - 11) PART IS NOT INTENDED TO PROVIDE ANY ALIGNMENT OF CUSTOMER COMPONENTS OR MODULES, SUCH AS POWER SUPPLIES AND CHASSIS.
  - 12) PARTS CONFORM TO CLASS 'B' REQUIREMENTS OF COSMETIC SPECIFICATION PS-45499-002.
- $\Delta$  FORMING MARKS ARE ACCEPTABLE.

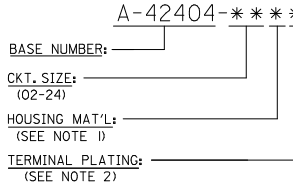


A-42404-\*\*\*\*



RECOMMENDED HOLE LAYOUT FOR .070/(1.78) MAX. THICK P.C. BOARD VIEWED FROM COMPONENT SIDE

**LEGEND:**



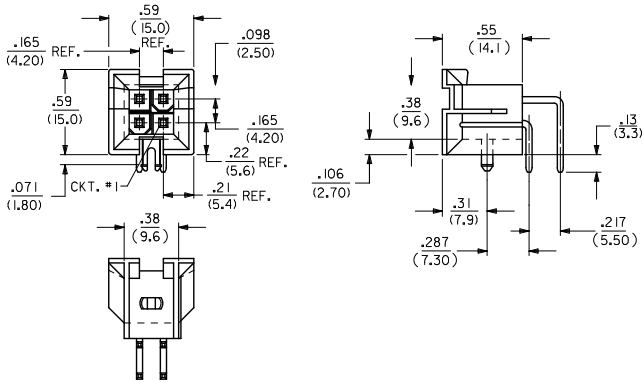
Part #	Order #	Desc	QTY	Plating	Material
---B2, ---B4	42474-**-21	5556-PBGS*P	94V-0	PHOS. BRZ.	GOLD
---A2, ---A4	42474-**-11	5556-PBGS*P	94V-2		
---B1, ---B3	42474-**-21	5556-PBS*P	94V-0	PHOS. BRZ.	TIN
---A1, ---A3	42474-**-11	5556-PBS*P	94V-2		
---B2, ---B4	42474-**-21	5556-GS*P	94V-0	BRASS	GOLD
---A2, ---A4	42474-**-11	5556-GS*P	94V-2		
---B1, ---B3	42474-**-21	5556-S*P	94V-0	BRASS	TIN
---A1, ---A3	42474-**-11	5556-S*P	94V-2		
---B2, ---B4	A-42385-**-D2		94V-0	PHOS. BRZ.	GOLD
---A2, ---A4	A-42385-**-C2		94V-2		
---B1, ---B3	A-42385-**-D1		94V-0	PHOS. BRZ.	TIN
---A1, ---A3	A-42385-**-C1		94V-2		
---B2, ---B4	A-42385-**-B2		94V-0	BRASS	GOLD
---A2, ---A4	A-42385-**-A2		94V-2		
---B1, ---B3	A-42385-**-B1		94V-0	BRASS	TIN
---A1, ---A3	A-42385-**-A1		94V-2		

R.A. HEADER	MATING CONNECTOR	HSG. MAT'L.	TERM. MAT'L.	PLATING
A-42404				
		MATING CONNECTOR FEATURES		

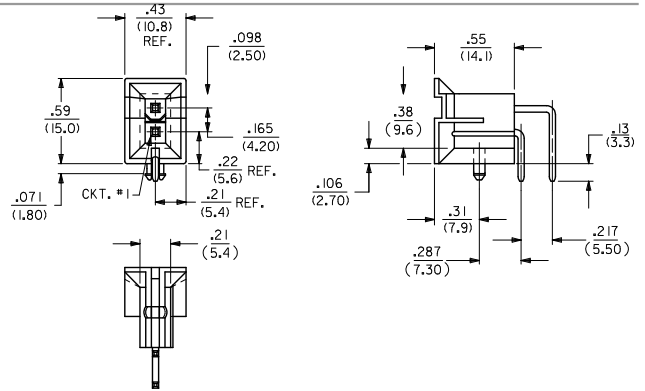
UPDATE NOTE 5 EC NO: UCP2012-2990 2012/03/12 DRAWING: NUN CHKD: JBL APPROV: SMITH	DESCRIPTION T1	QUALITY SYMBOLS ▽=0 ▽=0 ▽=0	GENERAL TOLERANCES (UNLESS SPECIFIED)		DIMENSION STYLE IN/MM		SCALE METRIC	DESIGN UNITS METRIC	THIRD ANGLE PROJECTION		
			4 PLACES ± --- ± --- 3 PLACES ± --- ± .010 2 PLACES ± 0.25 ± .015 1 PLACE ± 0.38 ± ---		DRAWN BY RWK DATE 2/7/89		CHECKED BY RJF DATE 2/7/89		TITLE MINI-FIT JR. 2-24 CKT RIGHT ANGLE HEADER ASSY (BLIND MATE)		
			DRAFT WHERE APPLICABLE MUST REMAIN WITHIN DIMENSIONS		APPROVED BY FSMITH DATE 2011/11/01		MATERIAL NO. SEE SHEET 3		DOCUMENT NO. SDA-42404-****		SHEET NO. 1 OF 3

THIS DRAWING CONTAINS INFORMATION THAT IS PROPRIETARY TO MOLEX INCORPORATED AND SHOULD NOT BE USED WITHOUT WRITTEN PERMISSION

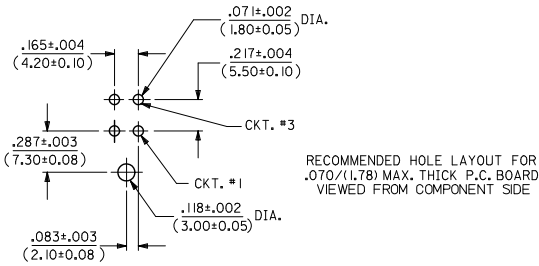
13 12 11 10 9 8 7 6 5 4 3 2 1



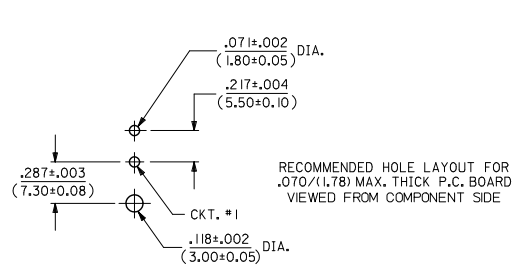
A-42404-04\*\*



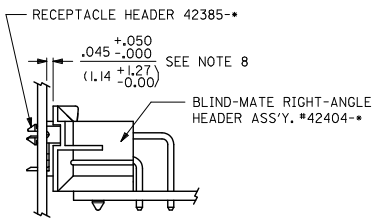
A-42404-02\*\*



RECOMMENDED HOLE LAYOUT FOR  
.070 (1.78) MAX. THICK P.C. BOARD  
VIEWED FROM COMPONENT SIDE



RECOMMENDED HOLE LAYOUT FOR  
.070 (1.78) MAX. THICK P.C. BOARD  
VIEWED FROM COMPONENT SIDE



PANEL-TO-P.C.BOARD

SEE RECEPTACLE DRAWINGS FOR  
ADDITIONAL MATING CONFIGURATIONS

SEE SHEET 1 EC NO: UCP2012-2990 DRAWING NO: 2017/03/12 CHKD: BELL APPR: SMITH 2017/05/04	QUALITY SYMBOLS □=0 ▽=0 ▽=0	GENERAL TOLERANCES (UNLESS SPECIFIED)		DIMENSION STYLE IN/MM		SCALE 2:1	DESIGN UNITS METRIC	THIRD ANGLE PROJECTION	
		4 PLACES ± --- ± ---	mm INCH	DRAWN BY RWK	DATE 2/7/89	TITLE MINI-FIT JR. 2-24 CKT RIGHT ANGLE HEADER ASSY (BLIND MATE)			
		3 PLACES ± --- ± .010		CHECKED BY RJF	DATE 2/7/89	MOLEX INCORPORATED			
		2 PLACES ± 0.25 ± .015		APPROVED BY F SMITH	DATE 2011/11/01	MATERIAL NO. SEE SHEET 3			
		1 PLACE ± 0.38 ± ---		ANGULAR ± 1/2°		DOCUMENT NO. SDA-42404-****		SHEET NO. 2 OF 3	
DRAFT WHERE APPLICABLE MUST REMAIN WITHIN DIMENSIONS		THIS DRAWING CONTAINS INFORMATION THAT IS PROPRIETARY TO MOLEX INCORPORATED AND SHOULD NOT BE USED WITHOUT WRITTEN PERMISSION							

12 11 10 9 8 7 6 5 4 3 2 1

J	I	H	G	F	E	D	C	B	A
PLATING (NOTE 5)	CKT. HOUSING MATERIAL	ENG. NUMBER	PART NUMBER	PLATING (NOTE 2)	CKT. HOUSING MATERIAL	ENG. NUMBER	PART NUMBER	PLATING (NOTE 2)	CKT. HOUSING MATERIAL
				MATTE TIN OVER NICKEL	94V-2	A-42404-02A1	NOT TOOLED		
						-04A1	4		
						-06A1	6		
						-08A1	8		
						-10A1	10		
						-12A1	12		
						-14A1	14		
						-16A1	16		
						-18A1	18		
						-20A1	20		
						-22A1	22		
				MATTE TIN OVER NICKEL	94V-2	A-42404-24A1	24		
				SELECT GOLD OVER NICKEL	94V-2	A-42404-02A5	02		
						A-42404-04A5	04		
						A-42404-06A5	06		
						A-42404-08A5	08		
						A-42404-10A5	10		
						A-42404-12A5	12		
						A-42404-14A5	14		
						A-42404-16A5	16		
						A-42404-18A5	18		
						A-42404-20A5	20		
						A-42404-22A5	22		
				SELECT GOLD OVER NICKEL	94V-2	A-42404-24A5	24		
				MATTE TIN OVER NICKEL	94V-0	A-42404-02B1	2		
						-04B1	4		
						-06B1	6		
						-08B1	8		
						-10B1	10		
						-12B1	12		
						-14B1	14		
						-16B1	16		
						-18B1	18		
						-20B1	20		
						-22B1	22		
				MATTE TIN OVER NICKEL	94V-0	A-42404-24B1	24		
				SELECT GOLD OVER NICKEL	94V-0	A-42404-02B5	02		
						A-42404-04B5	04		
						A-42404-06B5	06		
						A-42404-08B5	08		
						A-42404-10B5	10		
						A-42404-12B5	12		
						A-42404-14B5	14		
						A-42404-16B5	16		
						A-42404-18B5	18		
						A-42404-20B5	20		
				SELECT GOLD OVER NICKEL	94V-0	A-42404-22B5	22		
						A-42404-24B5	24		

<b>QUALITY SYMBOLS</b> 	<b>GENERAL TOLERANCES (UNLESS SPECIFIED)</b> mm      INCH		<b>DIMENSION STYLE</b> IN/MM		<b>SCALE</b> 1:1	<b>DESIGN UNITS</b> METRIC	<b>THIRD ANGLE PROJECTION</b>	
	4 PLACES ± .010 ± .010 3 PLACES ± .010 ± .010 2 PLACES ± 0.25 ± .015 1 PLACE ± 0.38 ± .010	DRAWN BY RWK      DATE 2/7/89	CHECKED BY R/JF      DATE 2/7/89		APPROVED BY F/SMITH      DATE 2011/11/01		<b>TITLE</b> MINI-FIT JR. 2-24 CKT RIGHT ANGLE HEADER ASSY (BLIND MATE)	
	<b>ANGULAR ± 1/2°</b>	MATERIAL NO.      DOCUMENT NO.		MOLEX INCORPORATED				

DRAFT WHERE APPLICABLE MUST REMAIN WITHIN DIMENSIONS  
 SEE CHART  
 SDA-42404-\*\*\*\*  
 THIS DRAWING CONTAINS INFORMATION THAT IS PROPRIETARY TO MOLEX INCORPORATED AND SHOULD NOT BE USED WITHOUT WRITTEN PERMISSION