

Excellent Integrated System Limited

Stocking Distributor

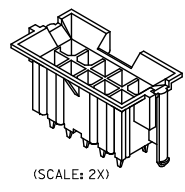
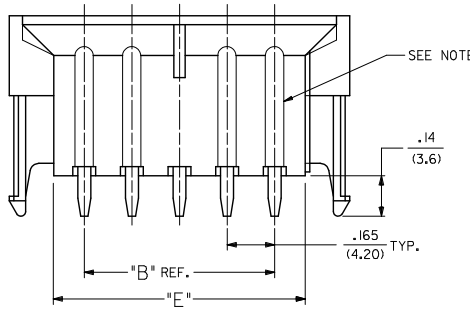
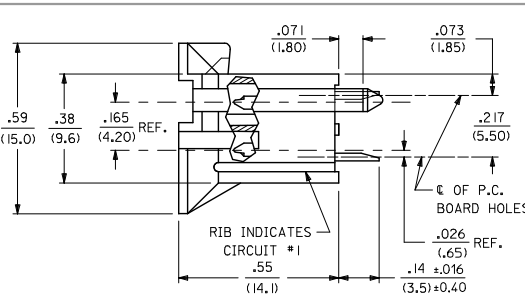
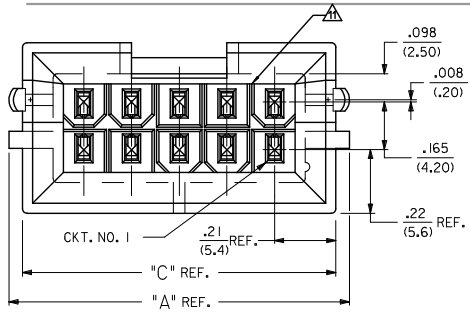
Click to view price, real time Inventory, Delivery & Lifecycle Information:

[Molex Connector Corporation](#)

[0015286042](#)

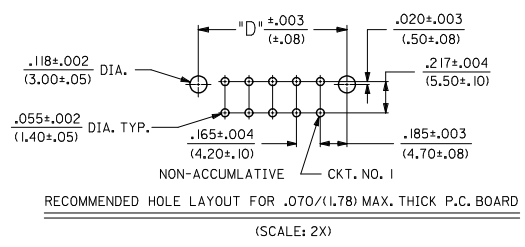
For any questions, you can email us directly:

sales@integrated-circuit.com



| CIRCUIT SIZE | DIM. 'A' | DIM. 'B' | DIM. 'C' | DIM. 'D' | DIM. 'E' |
|--------------|---------------|-------------|---------------|---------------|-------------|
| 2 | .520 (13.20) | — | .425 (10.80) | .370 (9.40) | .21 (5.4) |
| 4 | .685 (17.40) | .17 (4.2) | .590 (15.00) | .535 (13.60) | .38 (9.6) |
| 6 | .850 (21.60) | .33 (8.4) | .756 (19.20) | .701 (17.80) | .54 (13.8) |
| 8 | 1.016 (25.80) | .50 (12.6) | .921 (23.40) | .866 (22.00) | .71 (18.0) |
| 10 | 1.181 (30.00) | .66 (16.8) | 1.087 (27.60) | 1.031 (26.20) | .87 (22.2) |
| 12 | 1.346 (34.20) | .83 (21.0) | 1.252 (31.80) | 1.197 (30.40) | 1.04 (26.4) |
| 14 | 1.512 (38.40) | .99 (25.2) | 1.417 (36.00) | 1.362 (34.60) | 1.20 (30.6) |
| 16 | 1.677 (42.60) | 1.16 (29.4) | 1.583 (40.20) | 1.528 (38.80) | 1.37 (34.8) |
| 18 | 1.843 (46.80) | 1.32 (33.6) | 1.748 (44.40) | 1.693 (43.00) | 1.54 (39.0) |
| 20 | 2.008 (51.00) | 1.49 (37.8) | 1.913 (48.60) | 1.858 (47.20) | 1.70 (43.2) |
| 22 | 2.173 (55.20) | 1.65 (42.0) | 2.079 (52.80) | 2.024 (51.40) | 1.87 (47.4) |
| 24 | 2.339 (59.40) | 1.82 (46.2) | 2.244 (57.00) | 2.189 (55.60) | 2.03 (51.6) |

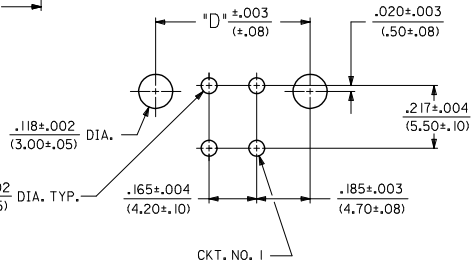
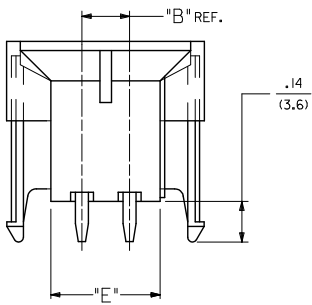
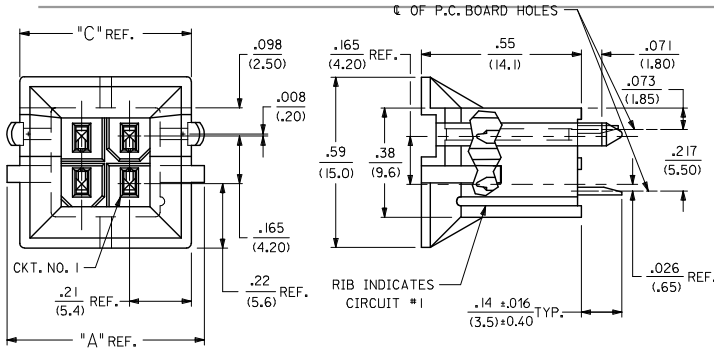
LEGEND:
 A - 42440 - * * * *
 BASE NUMBER
 CIRCUIT SIZE (02-24)
 PLATING (SEE NOTE 2.)
 HOUSING MAT'L. & OPTIONS (SEE NOTE 1.)



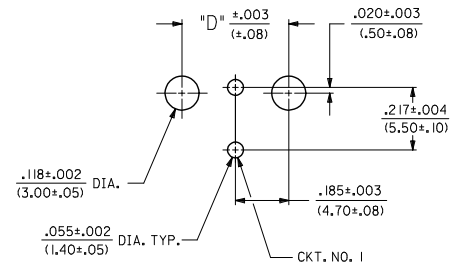
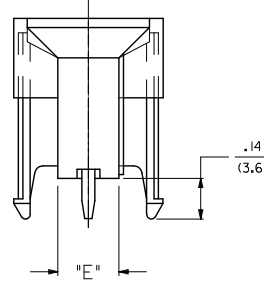
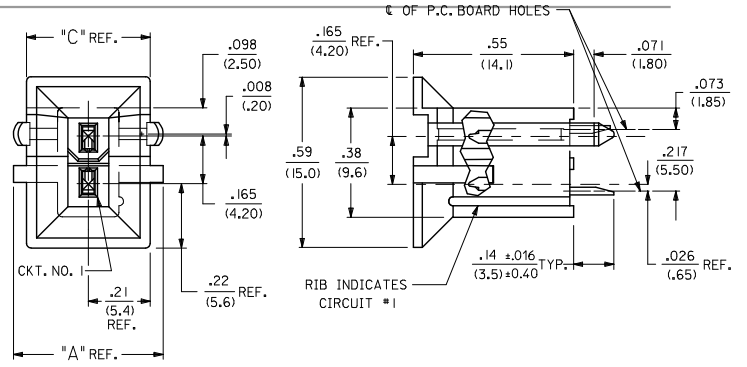
| | | | | |
|-----------------------------|------------------------|-------------|--------------|----------|
| —**22, —**23 | 42474-—**21, 5556-GS*P | 94V-0 | BRASS | GOLD |
| —**12, —**13 | 42474-—**11, 5556-GS*P | 94V-2 | BRASS | TIN |
| —**21 | 42474-—**21, 5556-S*P | 94V-0 | BRASS | TIN |
| —**11 | 42474-—**11, 5556-S*P | 94V-2 | BRASS | TIN |
| —**22, —**23, —**12, —**13, | A-42385-—**B2, —**B4 | 94V-0 | BRASS | GOLD |
| —**21 | A-42385-—**A2, —**A4 | 94V-2 | BRASS | TIN |
| —**11 | A-42385-—**B1 | 94V-0 | BRASS | TIN |
| —**11 | A-42385-—**A1 | 94V-2 | BRASS | TIN |
| VERT. HEADER A-42440 | MATING CONNECTOR | HSG. MAT'L. | TERM. MAT'L. | PLATING |
| | | MATING | CONNECTOR | FEATURES |

| | | | | |
|--|--------------------------------------|---|---|--|
| ADD. 0.40 TOL. EC NO: UCP2015-0706 DRAWING NO: 2017/08/20 CHKD: BELL APPR: SMITH 2017/09/05 | QUALITY SYMBOLS ∇=0 ∇=0 ∇=0 | GENERAL TOLERANCES (UNLESS SPECIFIED) mm INCH 4 PLACES ± --- ± --- 3 PLACES ± --- ± .010 2 PLACES ± 0.25 ± .015 1 PLACE ± 0.38 ± --- ANGULAR ± 5° | DIMENSION STYLE IN/MM DRAWN BY: GEP DATE: 1989/04/06 CHECKED BY: RJF DATE: 1989/04/06 APPROVED BY: F SMITH DATE: 2011/02/11 | SCALE: 4:1 DESIGN UNITS: METRIC THIRD ANGLE PROJECTION |
| | | DRAFT WHERE APPLICABLE MUST REMAIN WITHIN DIMENSIONS | MATERIAL NO. SEE CHART DOCUMENT NO. SDA-42440-**** | MOLEX INCORPORATED |

THIS DRAWING CONTAINS INFORMATION THAT IS PROPRIETARY TO MOLEX INCORPORATED AND SHOULD NOT BE USED WITHOUT WRITTEN PERMISSION



RECOMMENDED HOLE LAYOUT FOR .070/(1.78) MAX. THICK P.C. BOARD



RECOMMENDED HOLE LAYOUT FOR .070/(1.78) MAX. THICK P.C. BOARD

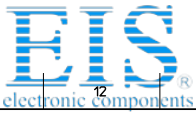
| | | | | | | |
|--|--|---------------------------------------|---|--------------------------------------|--------------|------------------------|
| SEE SHEET 1 EC NO: UCP2013-0706 2017/08/20 DRAWING: NGUYEN CHKD: BELL 2017/08/20 APPR: SMITH 2017/09/05 Q5 | QUALITY SYMBOLS | GENERAL TOLERANCES (UNLESS SPECIFIED) | DIMENSION STYLE | SCALE | DESIGN UNITS | THIRD ANGLE PROJECTION |
| | | mm INCH | IN/MM | 1:1 | METRIC | |
| | | 4 PLACES ± --- ± --- | DRAWN BY DATE | TITLE | | |
| | | 3 PLACES ± --- ± .010 | GEP 1989/04/06 | MINI-FIT B.M.I. VERTICAL HEADER ASSY | | |
| | 2 PLACES ± 0.25 ± .015 | CHECKED BY DATE | MOLEX INCORPORATED | | | |
| | 1 PLACE ± 0.38 ± --- | RJF 1989/04/06 | SDA-42440-**** | | | |
| | ANGULAR ± 5° | APPROVED BY DATE | SHEET NO. 2 OF 4 | | | |
| | | FSMITH 2011/02/11 | THIS DRAWING CONTAINS INFORMATION THAT IS PROPRIETARY TO MOLEX INCORPORATED AND SHOULD NOT BE USED WITHOUT WRITTEN PERMISSION | | | |
| | DRAFT WHERE APPLICABLE MUST REMAIN WITHIN DIMENSIONS | MATERIAL NO. | SEE CHART | DOCUMENT NO. | | |

NOTES:

- 1) MATERIAL:
 - HOUSING MATERIAL:
 - 1 = NYLON 6/6, UNFILLED UL 94V-2, COLOR: NATURAL
 - 2 = NYLON 6/6, UNFILLED UL 94V-0, COLOR: NATURAL
 - TERMINALS: BRASS
- 2) TERMINAL PLATING:
 - S = .000100/(0.00254) MIN, BRIGHT TIN OVER .000050/(0.00127) MIN, NICKEL
 - GS = .000030/(0.00076) MIN, SELECT GOLD AND .000100/(0.00254) MIN, SELECT MATTE TIN OVER .000050/(0.00127) MIN, NICKEL OVERALL
 - GS3 = .000050/(0.00127) MIN, SELECT GOLD AND .000100/(0.00254) MIN, SELECT MATTE TIN OVER .000050/(0.00127) MIN, NICKEL OVERALL
- 3) PRODUCT SPECIFICATION: PS-5556-002
- 4) PACKAGING: SEE CHARTS
- 5) 6-24 CIRCUIT PARTS MATE WITH MINI-FIT JR. RECEPTACLES 5557, 42474, 44516 AND HEADERS 42385, 2 AND 4 CIRCUIT PARTS MATE WITH 42385, 44516 AND 42474 ONLY.
- 6) PART ALLOWS FOR UP TO .100/(2.54) MISALIGNMENT WITH MATING RECEPTACLE IN ANY DIRECTION. SEE MATING CONNECTOR DRAWINGS FOR SPECIFIC ALLOWANCES.
- 7) CONNECTOR IS NOT DESIGNED FOR CURRENT SHARING.
- 8) CONNECTOR ASSEMBLIES ARE NOT BE MATED OR UNMATED WHILE CIRCUITS ARE LIVE.
- 9) RIB LOCATION IS DETERMINED BY MOLD DESIGN FOR MANUFACTURING EASE AND THE LOCATION DOES NOT AFFECT PART FUNCTION OR PERFORMANCE. LOCATION OF RIBS MAY VARY ON PARTS WITHIN MAUFACTURING LOT OR SHIPMENT. THIS DRAWING SHOWS TYPICAL RIB LOCATIONS.
- 10) PART CONFORMS TO CLASS "B" REQUIREMENTS OF COSMETIC SPECIFICATION PS-45499-002.

11) 12 CIRCUIT PARTS HAVE A SLOT BETWEEN CIRCUITS 7 AND 8.

| | | | | | | | | | | | |
|--|--------------------------------------|--|-----------------------|------------------------|----------------------|---------------|------------------------|------------------------|--|--|---------------------|
| SEE SHEET 1 EC NO: UCP2013-0706 DRAWING NO: 2017/08/20 CHKD: BELL APPR: SMITH 2017/09/05 Q5 REV | QUALITY SYMBOLS ▽=0 ▽=0 ▽=0 | GENERAL TOLERANCES (UNLESS SPECIFIED) | | DIMENSION STYLE | | SCALE | DESIGN UNITS | THIRD ANGLE PROJECTION | | | |
| | | | | IN/MM | | 1:1 | METRIC | | | | |
| | | 4 PLACES ± --- ± --- | 3 PLACES ± --- ± .010 | 2 PLACES ± 0.25 ± .015 | 1 PLACE ± 0.38 ± --- | ANGULAR ± 5 ° | DRAWN BY GEP | DATE 1989/04/06 | TITLE MINI-FIT B.M.I. VERTICAL HEADER ASSY | | |
| | | DRAFT WHERE APPLICABLE MUST REMAIN WITHIN DIMENSIONS | | SEE CHART | MATERIAL NO. | | APPROVED BY F SMITH | DATE 2011/02/11 | MOLEX INCORPORATED | | SHEET NO. 3 OF 4 |



Distributor of Molex Connector Corporation: Excellent Integrated System Limited

Datasheet of 0015286042 - CONN VERT HEADER 4POS DUAL

Contact us: sales@integrated-circuit.com Website: www.integrated-circuit.com

| J | | | | I | | | | H | | | | | | | |
|------------|-----------------------------|------------|-----------------------|------------|-----------------------------|------------|-----------------------|------------|--|------------|-----------------------|------------|--|------------|-----------------------|
| PLATING: | TIN (SEE NOTE 2 OPTION 'S') | DRAINS: | WITHOUT DRAIN HOLES | PLATING: | TIN (SEE NOTE 2 OPTION 'S') | DRAINS: | WITHOUT DRAIN HOLES | PLATING: | 30 M.I. SELECT GOLD (SEE NOTE 2 OPTION 'GS') | DRAINS: | WITHOUT DRAIN HOLES | PLATING: | 30 M.I. SELECT GOLD (SEE NOTE 2 OPTION 'GS') | DRAINS: | WITHOUT DRAIN HOLES |
| PEGS: | WITH PEGS | PEGS: | WITH PEGS | PEGS: | WITH PEGS | PEGS: | WITH PEGS | PEGS: | WITH PEGS | PEGS: | WITH PEGS | PEGS: | WITH PEGS | PEGS: | WITH PEGS |
| MAT'L: | 94V-2 [NATURAL] | MAT'L: | 94V-0 [NATURAL] | MAT'L: | 94V-0 [NATURAL] | MAT'L: | 94V-2 [NATURAL] | MAT'L: | 94V-2 [NATURAL] | MAT'L: | 94V-0 [NATURAL] | MAT'L: | 94V-0 [NATURAL] | MAT'L: | 94V-0 [NATURAL] |
| PACKAGING: | TRAY PER PK-42440-001 | PACKAGING: | TRAY PER PK-42440-001 | PACKAGING: | TRAY PER PK-42440-001 | PACKAGING: | TRAY PER PK-42440-001 | PACKAGING: | TRAY PER PK-42440-001 | PACKAGING: | TRAY PER PK-42440-001 | PACKAGING: | TRAY PER PK-42440-001 | PACKAGING: | TRAY PER PK-42440-001 |
| PART NO. | ENG NO. | CKTS | | PART NO. | ENG NO. | CKTS | | PART NO. | ENG NO. | CKTS | | PART NO. | ENG NO. | CKTS | |
| NO EDP | A-42440-021I | - | 2 | NO EDP | A-42440-022I | - | 2 | NO EDP | A-42440-0212 | - | 2 | NO EDP | A-42440-0222 | - | 2 |
| 15-24-6041 | A-42440-041I | - | 4 | 15-24-6042 | A-42440-042I | - | 4 | 15-28-6041 | A-42440-0412 | - | 4 | 15-28-6042 | A-42440-0422 | - | 4 |
| 15-24-6061 | A-42440-061I | - | 6 | 15-24-6062 | A-42440-062I | - | 6 | 15-28-6061 | A-42440-0612 | - | 6 | 15-28-6062 | A-42440-0622 | - | 6 |
| NO EDP | A-42440-081I | - | 8 | NO EDP | A-42440-082I | - | 8 | NO EDP | A-42440-0812 | - | 8 | NO EDP | A-42440-0822 | - | 8 |
| 15-24-6101 | A-42440-101I | - | 10 | 15-24-6102 | A-42440-102I | - | 10 | 15-28-6101 | A-42440-1012 | - | 10 | 15-28-6102 | A-42440-1022 | - | 10 |
| 15-24-6121 | A-42440-121I | - | 12 | 15-24-6122 | A-42440-122I | - | 12 | 15-28-6121 | A-42440-1212 | - | 12 | 15-28-6122 | A-42440-1222 | - | 12 |
| 15-24-6141 | A-42440-141I | - | 14 | 15-24-6142 | A-42440-142I | - | 14 | 15-28-6141 | A-42440-1412 | - | 14 | 15-28-6142 | A-42440-1422 | - | 14 |
| 15-24-6161 | A-42440-161I | - | 16 | 15-24-6162 | A-42440-162I | - | 16 | 15-28-6161 | A-42440-1612 | - | 16 | 15-28-6162 | A-42440-1622 | - | 16 |
| 15-24-6181 | A-42440-181I | - | 18 | 15-24-6182 | A-42440-182I | - | 18 | 15-28-6181 | A-42440-1812 | - | 18 | 15-28-6182 | A-42440-1822 | - | 18 |
| NO EDP | A-42440-201I | - | 20 | NO EDP | A-42440-202I | - | 20 | NO EDP | A-42440-2012 | - | 20 | NO EDP | A-42440-2022 | - | 20 |
| NO EDP | A-42440-221I | - | 22 | NO EDP | A-42440-222I | - | 22 | NO EDP | A-42440-2212 | - | 22 | NO EDP | A-42440-2222 | - | 22 |
| 15-24-6241 | A-42440-241I | - | 24 | 15-24-6242 | A-42440-242I | - | 24 | 15-28-6241 | A-42440-2412 | - | 24 | 15-28-6242 | A-42440-2422 | - | 24 |

| G | | | | F | | | | E | | | | | | | |
|------------|---|------------|-----------------------|------------|---|------------|-----------------------|------------|---------|------------|--|------------|---------|------------|----|
| PLATING: | 50 M.I. SELECT GOLD (SEE NOTE 2 OPTION 'GS3') | DRAINS: | WITHOUT DRAIN HOLES | PLATING: | 50 M.I. SELECT GOLD (SEE NOTE 2 OPTION 'GS3') | DRAINS: | WITHOUT DRAIN HOLES | PLATING: | | DRAINS: | | PLATING: | | DRAINS: | |
| PEGS: | WITH PEGS | PEGS: | WITH PEGS | PEGS: | WITH PEGS | PEGS: | WITH PEGS | PEGS: | | PEGS: | | PEGS: | | PEGS: | |
| MAT'L: | 94V-2 [NATURAL] | MAT'L: | 94V-0 [NATURAL] | MAT'L: | 94V-0 [NATURAL] | MAT'L: | 94V-2 [NATURAL] | MAT'L: | | MAT'L: | | MAT'L: | | MAT'L: | |
| PACKAGING: | TRAY PER PK-42440-001 | PACKAGING: | TRAY PER PK-42440-001 | PACKAGING: | TRAY PER PK-42440-001 | PACKAGING: | TRAY PER PK-42440-001 | PACKAGING: | | PACKAGING: | | PACKAGING: | | PACKAGING: | |
| PART NO. | ENG NO. | CKTS | | PART NO. | ENG NO. | CKTS | | PART NO. | ENG NO. | CKTS | | PART NO. | ENG NO. | CKTS | |
| NO EDP | A-42440-0213 | - | 2 | NO EDP | A-42440-0223 | - | 2 | NO EDP | | - | | NO EDP | | - | 2 |
| NO EDP | A-42440-0413 | - | 4 | NO EDP | A-42440-0423 | - | 4 | NO EDP | | - | | NO EDP | | - | 4 |
| NO EDP | A-42440-0613 | - | 6 | NO EDP | A-42440-0623 | - | 6 | NO EDP | | - | | NO EDP | | - | 6 |
| NO EDP | A-42440-0813 | - | 8 | NO EDP | A-42440-0823 | - | 8 | NO EDP | | - | | NO EDP | | - | 8 |
| NO EDP | A-42440-1013 | - | 10 | NO EDP | A-42440-1023 | - | 10 | NO EDP | | - | | NO EDP | | - | 10 |
| NO EDP | A-42440-1213 | - | 12 | NO EDP | A-42440-1223 | - | 12 | NO EDP | | - | | NO EDP | | - | 12 |
| NO EDP | A-42440-1413 | - | 14 | NO EDP | A-42440-1423 | - | 14 | NO EDP | | - | | NO EDP | | - | 14 |
| NO EDP | A-42440-1613 | - | 16 | NO EDP | A-42440-1623 | - | 16 | NO EDP | | - | | NO EDP | | - | 16 |
| NO EDP | A-42440-1813 | - | 18 | NO EDP | A-42440-1823 | - | 18 | NO EDP | | - | | NO EDP | | - | 18 |
| NO EDP | A-42440-2013 | - | 20 | NO EDP | A-42440-2023 | - | 20 | NO EDP | | - | | NO EDP | | - | 20 |
| NO EDP | A-42440-2213 | - | 22 | NO EDP | A-42440-2223 | - | 22 | NO EDP | | - | | NO EDP | | - | 22 |
| NO EDP | A-42440-2413 | - | 24 | NO EDP | A-42440-2423 | - | 24 | NO EDP | | - | | NO EDP | | - | 24 |

| | | | | | |
|---|--------------------------------------|---|---|---|---|
| SEE SHEET 1 EC NO: UCP2013-0706 2017/08/20 DRAWING/EN CHKD: BELL 2017/08/20 APPROV: SMITH | QUALITY SYMBOLS ▽=0 ▽=0 ▽=0 | GENERAL TOLERANCES (UNLESS SPECIFIED) mm INCH 4 PLACES ± --- ± --- 3 PLACES ± --- ± .010 2 PLACES ± 0.25 ± .015 1 PLACE ± 0.38 ± --- ANGULAR ± 5° | DIMENSION STYLE IN/MM DRAWN BY: GEP DATE: 1989/04/06 CHECKED BY: RJF DATE: 1989/04/06 APPROVED BY: F SMITH DATE: 2011/02/11 | SCALE: 1:1 DESIGN UNITS: METRIC THIRD ANGLE PROJECTION | TITLE: MINI-FIT B.M.I. VERTICAL HEADER ASSY |
| | | MATERIAL NO. SEE CHART DOCUMENT NO. SDA-42440-**** SHEET NO. 4 OF 4 | MOLEX INCORPORATED | | |
| | | DRAFT WHERE APPLICABLE MUST REMAIN WITHIN DIMENSIONS | | THIS DRAWING CONTAINS INFORMATION THAT IS PROPRIETARY TO MOLEX INCORPORATED AND SHOULD NOT BE USED WITHOUT WRITTEN PERMISSION | |
| | | | | | |