



**Distributor of Molex Connector Corporation: Excellent Integrated System Limited**  
Datasheet of 0015444545 - Connector Receptacle 4 Position 0.100" (2.54mm) Through Hole

Contact us: [sales@integrated-circuit.com](mailto:sales@integrated-circuit.com) Website: [www.integrated-circuit.com](http://www.integrated-circuit.com)

---

## **Excellent Integrated System Limited**

Stocking Distributor

Click to view price, real time Inventory, Delivery & Lifecycle Information:

[Molex Connector Corporation](#)  
[0015444545](#)

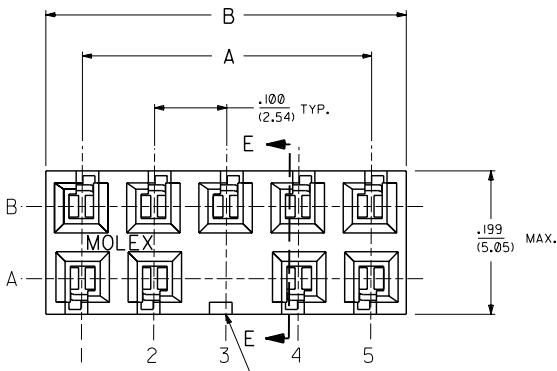
For any questions, you can email us directly:

[sales@integrated-circuit.com](mailto:sales@integrated-circuit.com)

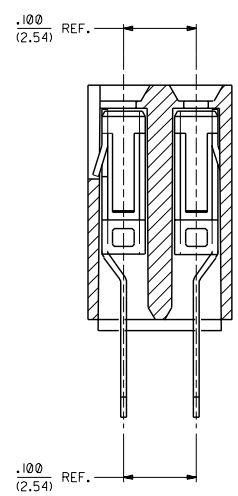
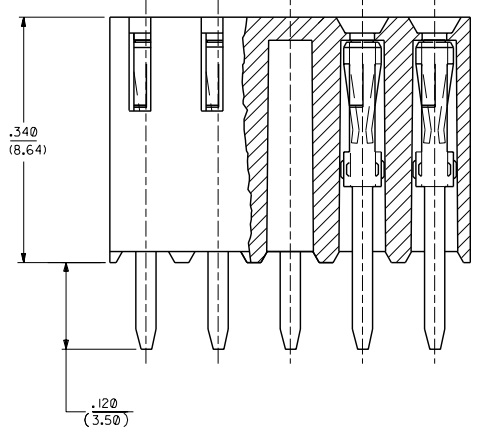
Contact us: [sales@integrated-circuit.com](mailto:sales@integrated-circuit.com) Website: [www.integrated-circuit.com](http://www.integrated-circuit.com)

NOTES:

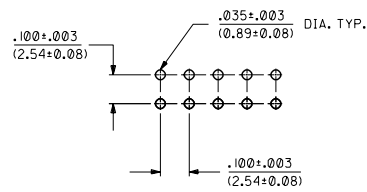
- 1 - HOUSING MATERIAL: GLASS FILLED POLYESTER, UL 94V-0. COLOR: BLACK
  - 2 - TERMINAL MATERIAL: PHOSPHOR BRONZE
  - 3 - FOR CIRCUIT SIZES, VOID LOCATIONS AND POLARIZED POSITIONS SEE CHART.
  - 4 - A VOIDED CIRCUIT IS REPRESENTED BY A REMOVED TERMINAL.  
FOR ILLUSTRATION PURPOSES CIRCUIT 'A-3' IS SHOWN VOIDED.
  - 5 - A POLARIZED POSITION IS REPRESENTED BY A MOLDED OVER PIN WINDOW.  
FOR ILLUSTRATION PURPOSES CIRCUIT 'A-3' IS SHOWN POLARIZED.
  - 6 - INDIVIDUAL CIRCUITS CAN BE VOIDED OR POLARIZED OR BOTH.
  - 7 - REFER TO PRODUCT SPECIFICATION P.S.-70181.
  - 8 - PACKAGING INFORMATION: (UNLESS OTHERWISE NOTED IN TABLES)  
PACKAGED PER PACKAGING DRAWING PK-70873-0660.
- PLATING CODES
- (164) TIN-LEAD (Sn-Pb) ALLOY OVER ENTIRE PIN; THICKNESS=(3.75 MICROMETER)/75 MICROINCH MINIMUM; NICKEL (Ni) UNDERPLATE OVER ENTIRE PIN.
  - (571) SELECTIVE GOLD (Au) IN THE CONTACT AREA; THICKNESS=(0.37 MICROMETER)/15 MICROINCH MINIMUM; SELECTIVE TIN-LEAD (Sn-Pb) ALLOY IN THE PC TAIL AREA; THICKNESS=(1.88 MICROMETER)/75 MICROINCH MINIMUM; NICKEL (Ni) UNDERPLATE OVER ENTIRE PIN.
  - (574) SELECTIVE GOLD (Au) IN THE CONTACT AREA; THICKNESS=(0.75 MICROMETER)/30 MICROINCH MINIMUM; SELECTIVE TIN-LEAD (Sn-Pb) ALLOY IN THE PC TAIL AREA; THICKNESS=(1.88 MICROMETER)/75 MICROINCH MINIMUM; NICKEL (Ni) UNDERPLATE OVER ENTIRE PIN.



SEE NOTES 4, 5 & 6



SECTION E-E



RECOMMENDED P.C. BOARD HOLE LAYOUT  
SCALE = 4:1

2	F1	E	RELEASE TO CAD PER ECR NO 0567 PM 01/27/92
1	G	I	REVISIONS
MFG. SH.	REV.	LTR.	REVISIONS

DIMENSIONS SHOWN IN METRIC INCH		UNLESS OTHERWISE SPECIFIED TOLERANCES ARE AS FOLLOWS		REVISIONS	
3 PLACES	± .010	---	---	REVISE ONLY ON CAD SYSTEM	
2 PLACES	± .014	± 0.25	---	CONNECTOR, VERT. MOUNT, DUAL ROW TOP ENTRY .100 X .100 PC TAIL GRID WITH VOIDS	
1 PLACE	---	± 0.35	---	MOLEX INCORPORATED	
DRAWING NUMBER		DATE		SHEET NO.	
SDA-70863-1		02/27/92		1 OF 2	
PART NO.		DRAWING NO.		TITLE	
SDA-70863-1		SDA-70863-1		SEE CHART	
DRG. BY		SCALE		DATE	
DJB		10:1		02/27/92	