



**Distributor of Molex Connector Corporation: Excellent Integrated System Limited**  
Datasheet of 0015446830 - Connector Receptacle 30 Position 0.100" (2.54mm) Tin Through Hole

Contact us: [sales@integrated-circuit.com](mailto:sales@integrated-circuit.com) Website: [www.integrated-circuit.com](http://www.integrated-circuit.com)

---

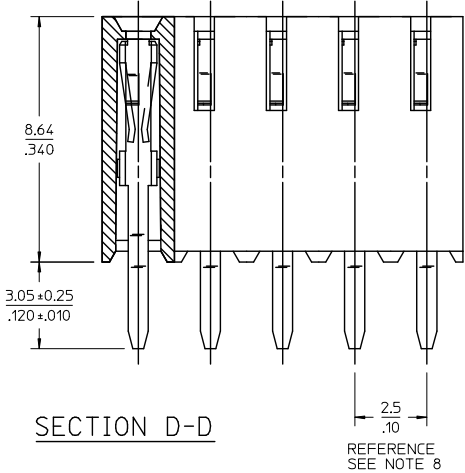
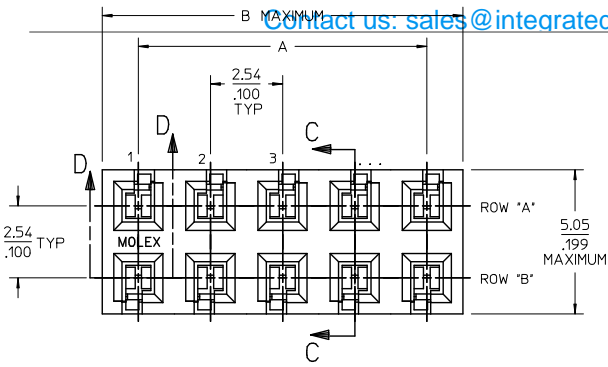
## **Excellent Integrated System Limited**

Stocking Distributor

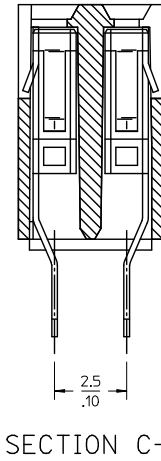
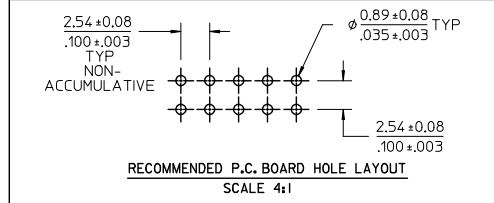
Click to view price, real time Inventory, Delivery & Lifecycle Information:

[Molex Connector Corporation](#)  
[0015446830](#)

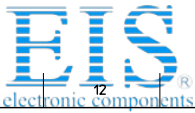
For any questions, you can email us directly:  
[sales@integrated-circuit.com](mailto:sales@integrated-circuit.com)



- NOTES:
1. HOUSING MATERIAL: GLASS FILLED LIQUID CRYSTAL POLYMER, UL 94V-0, COLOR: BLACK.
  2. TERMINAL MATERIAL: PHOSPHOR BRONZE
  3. FINISHES: SEE CHART SHEET 2.
  4. REFER TO PRODUCT SPECIFICATION PS-70181.
  5. PACKAGING IN TRAYS PER PK-70873-0660.
  6. SEE SHEET 2 FOR CIRCUIT SIZES AND OVERALL DIMENSIONS.
  7. RECOMMENDED PCB THICKNESS 1.37-1.80/.054-.071.
  8. PART COMPLIES WITH CLASS C REQUIREMENTS OF COSMETIC SPECIFICATION PS-45499-002.
  9. THE DESIGN OF THIS CONNECTOR ALLOWS THE TERMINAL TAIL TO FLOAT (MOVE). BECAUSE OF THIS, THE 2.5/.10 DIMENSION SHALL BE FOR REFERENCE ONLY.



|   |                                      |                                       |   |                          |          |               |   |                        |  |
|---|--------------------------------------|---------------------------------------|---|--------------------------|----------|---------------|---|------------------------|--|
| <b>ADD REF &amp; NOTE 8</b><br>EC NO: UCP2015-5567<br>DRAWN BY: DRWINDJORGAN<br>CHKD BY: CHKCHPOFF<br>APPR: SMILLER<br>DATE: 2015/07/29<br>DATE: 2015/07/29<br>DATE: 2016/05/17 | QUALITY SYMBOLS<br>∇=0<br>∇=0<br>∇=0 | GENERAL TOLERANCES (UNLESS SPECIFIED) |   | DIMENSION STYLE<br>MM/IN |          | SCALE<br>10:1 | DESIGN UNITS<br>INCH  | THIRD ANGLE PROJECTION |  |
|   |                                      | 4 PLACES ± --- ± ---                  | mm  | INCH                     | DRAWN BY | DATE          | TITLE<br><b>SALES VERTICAL MOUNT<br/>         DUAL ROW HIGH TEMP<br/>         .100 X .100 PC GRID</b><br><br><b>molex</b><br>DOCUMENT NO.<br><b>SDA-71850-0***</b><br>SHEET NO.<br>1 OF 2 |                        |  |
|   |                                      | 3 PLACES ± --- ± .005                 |   |                          | SKL      | 1988/02/29    |   |                        |  |
|   |                                      | 2 PLACES ± 0.13 ± .010                |   |                          | MJM      | 1988/02/29    |   |                        |  |
| 1 PLACE ± 0.25 ± ---  |                                      |                                       | WAZ   | 1988/02/29               |          |               |   |                        |  |
|   |                                      | ANGULAR ± 1/2°                        | MATERIAL NO.<br><b>SEE TABLE</b>  |                          |          |               |   |                        |  |
| DRAFT WHERE APPLICABLE MUST REMAIN WITHIN DIMENSIONS  |                                      | SIZE                                  | THIS DRAWING CONTAINS INFORMATION THAT IS PROPRIETARY TO MOLEX INCORPORATED AND SHOULD NOT BE USED WITHOUT WRITTEN PERMISSION |                          |          |               |   |                        |  |



Distributor of Molex Connector Corporation: Excellent Integrated System Limited  
 Datasheet of 0015446830 - Connector Receptacle 30 Position 0.100" (2.54mm) Tin Through

13 Hole 10 9 8 7 6 5 4 3 2 1

| PKT. SIZE | TERMINAL: 70172-0004<br>PLATING: TIN |            |              |            | TERMINAL: 70172-0006<br>PLATING: 15 GOLD |            |              |        | TERMINAL: 70172-0008<br>PLATING: 30 GOLD |        |        |        | DIM. "A" |      | DIM. "B" |      |
|-----------|--------------------------------------|------------|--------------|------------|--|------------|--------------|--------|--|--------|--------|--------|----------|------|----------|------|
|           | PER ROW                              | TOTAL      | EDP NO       | ENG NO     | EDP NO                                   | ENG NO     | EDP NO       | ENG NO | EDP NO                                   | ENG NO | EDP NO | ENG NO | MM       | INCH | MM       | INCH |
| 2         | 4                                    | 15-44-6804 | A-71850-0065 | 15-44-5804 | A-71850-0129                             | 15-44-5104 | A-71850-0193 | 2,54   | .100                                     | 5,05   | .199   |        |          |      |          |      |
| 3         | 6                                    | 15-44-6806 | A-71850-0066 | 15-44-5806 | A-71850-0130                             | 15-44-5106 | A-71850-0194 | 5,08   | .200                                     | 7,59   | .299   |        |          |      |          |      |
| 4         | 8                                    | 15-44-6808 | A-71850-0067 | 15-44-5808 | A-71850-0131                             | 15-44-5108 | A-71850-0195 | 7,62   | .300                                     | 10,13  | .399   |        |          |      |          |      |
| 5         | 10                                   | 15-44-6810 | A-71850-0068 | 15-44-5810 | A-71850-0132                             | 15-44-5110 | A-71850-0196 | 10,16  | .400                                     | 12,67  | .499   |        |          |      |          |      |
| 6         | 12                                   | 15-44-6812 | A-71850-0069 | 15-44-5812 | A-71850-0133                             | 15-44-5112 | A-71850-0197 | 12,70  | .500                                     | 15,21  | .599   |        |          |      |          |      |
| 7         | 14                                   | 15-44-6814 | A-71850-0070 | 15-44-5814 | A-71850-0134                             | 15-44-5114 | A-71850-0198 | 15,24  | .600                                     | 17,75  | .699   |        |          |      |          |      |
| 8         | 16                                   | 15-44-6816 | A-71850-0071 | 15-44-5816 | A-71850-0135                             | 15-44-5116 | A-71850-0199 | 17,78  | .700                                     | 20,29  | .799   |        |          |      |          |      |
| 9         | 18                                   | 15-44-6818 | A-71850-0072 | 15-44-5818 | A-71850-0136                             | 15-44-5118 | A-71850-0200 | 20,32  | .800                                     | 22,83  | .899   |        |          |      |          |      |
| 10        | 20                                   | 15-44-6820 | A-71850-0073 | 15-44-5820 | A-71850-0137                             | 15-44-5120 | A-71850-0201 | 22,86  | .900                                     | 25,37  | .999   |        |          |      |          |      |
| 11        | 22                                   | 15-44-6822 | A-71850-0074 | 15-44-5822 | A-71850-0138                             | 15-44-5122 | A-71850-0202 | 25,40  | 1,000                                    | 27,91  | 1,099  |        |          |      |          |      |
| 12        | 24                                   | 15-44-6824 | A-71850-0075 | 15-44-5824 | A-71850-0139                             | 15-44-5124 | A-71850-0203 | 27,94  | 1,100                                    | 30,45  | 1,199  |        |          |      |          |      |
| 13        | 26                                   | 15-44-6826 | A-71850-0076 | 15-44-5826 | A-71850-0140                             | 15-44-5126 | A-71850-0204 | 30,48  | 1,200                                    | 32,99  | 1,299  |        |          |      |          |      |
| 14        | 28                                   | 15-44-6828 | A-71850-0077 | 15-44-5828 | A-71850-0141                             | 15-44-5128 | A-71850-0205 | 33,02  | 1,300                                    | 35,53  | 1,399  |        |          |      |          |      |
| 15        | 30                                   | 15-44-6830 | A-71850-0078 | 15-44-5830 | A-71850-0142                             | 15-44-5130 | A-71850-0206 | 35,56  | 1,400                                    | 38,07  | 1,499  |        |          |      |          |      |
| 16        | 32                                   | 15-44-6832 | A-71850-0079 | 15-44-5832 | A-71850-0143                             | 15-44-5132 | A-71850-0207 | 38,10  | 1,500                                    | 40,61  | 1,599  |        |          |      |          |      |
| 17        | 34                                   | 15-44-6834 | A-71850-0080 | 15-44-5834 | A-71850-0144                             | 15-44-5134 | A-71850-0208 | 40,64  | 1,600                                    | 43,15  | 1,699  |        |          |      |          |      |
| 18        | 36                                   | 15-44-6836 | A-71850-0081 | 15-44-5836 | A-71850-0145                             | 15-44-5136 | A-71850-0209 | 43,18  | 1,700                                    | 45,69  | 1,799  |        |          |      |          |      |
| 19        | 38                                   | 15-44-6838 | A-71850-0082 | 15-44-5838 | A-71850-0146                             | 15-44-5138 | A-71850-0210 | 45,72  | 1,800                                    | 48,23  | 1,899  |        |          |      |          |      |
| 20        | 40                                   | 15-44-6840 | A-71850-0083 | 15-44-5840 | A-71850-0147                             | 15-44-5140 | A-71850-0211 | 48,26  | 1,900                                    | 50,77  | 1,999  |        |          |      |          |      |
| 21        | 42                                   | 15-44-6842 | A-71850-0084 | 15-44-5842 | A-71850-0148                             | 15-44-5142 | A-71850-0212 | 50,80  | 2,000                                    | 53,31  | 2,099  |        |          |      |          |      |
| 22        | 44                                   | 15-44-6844 | A-71850-0085 | 15-44-5844 | A-71850-0149                             | 15-44-5144 | A-71850-0213 | 53,34  | 2,100                                    | 55,85  | 2,199  |        |          |      |          |      |
| 23        | 46                                   | 15-44-6846 | A-71850-0086 | 15-44-5846 | A-71850-0150                             | 15-44-5146 | A-71850-0214 | 55,88  | 2,200                                    | 58,39  | 2,299  |        |          |      |          |      |
| 24        | 48                                   | 15-44-6848 | A-71850-0087 | 15-44-5848 | A-71850-0151                             | 15-44-5148 | A-71850-0215 | 58,42  | 2,300                                    | 60,93  | 2,399  |        |          |      |          |      |
| 25        | 50                                   | 15-44-6850 | A-71850-0088 | 15-44-5850 | A-71850-0152                             | 15-44-5150 | A-71850-0216 | 60,96  | 2,400                                    | 63,47  | 2,499  |        |          |      |          |      |
| 26        | 52                                   | 15-44-6852 | A-71850-0089 | 15-44-5852 | A-71850-0153                             | 15-44-5152 | A-71850-0217 | 63,50  | 2,500                                    | 66,01  | 2,599  |        |          |      |          |      |
| 27        | 54                                   | 15-44-6854 | A-71850-0090 | 15-44-5854 | A-71850-0154                             | 15-44-5154 | A-71850-0218 | 66,04  | 2,600                                    | 68,55  | 2,699  |        |          |      |          |      |
| 28        | 56                                   | 15-44-6856 | A-71850-0091 | 15-44-5856 | A-71850-0155                             | 15-44-5156 | A-71850-0219 | 68,58  | 2,700                                    | 71,09  | 2,799  |        |          |      |          |      |
| 29        | 58                                   | 15-44-6858 | A-71850-0092 | 15-44-5858 | A-71850-0156                             | 15-44-5158 | A-71850-0220 | 71,12  | 2,800                                    | 73,63  | 2,899  |        |          |      |          |      |
| 30        | 60                                   | 15-44-6860 | A-71850-0093 | 15-44-5860 | A-71850-0157                             | 15-44-5160 | A-71850-0221 | 73,66  | 2,900                                    | 76,17  | 2,999  |        |          |      |          |      |
| 31        | 62                                   | 15-44-6862 | A-71850-0094 | 15-44-5862 | A-71850-0158                             | 15-44-5162 | A-71850-0222 | 76,20  | 3,000                                    | 78,71  | 3,099  |        |          |      |          |      |
| 32        | 64                                   | 15-44-6864 | A-71850-0095 | 15-44-5864 | A-71850-0159                             | 15-44-5164 | A-71850-0223 | 78,74  | 3,100                                    | 81,25  | 3,199  |        |          |      |          |      |
| 33        | 66                                   | 15-44-6866 | A-71850-0096 | 15-44-5866 | A-71850-0160                             | 15-44-5166 | A-71850-0224 | 81,28  | 3,200                                    | 83,79  | 3,299  |        |          |      |          |      |
| 34        | 68                                   | 15-44-6868 | A-71850-0097 | 15-44-5868 | A-71850-0161                             | 15-44-5168 | A-71850-0225 | 83,82  | 3,300                                    | 86,33  | 3,399  |        |          |      |          |      |
| 35        | 70                                   | 15-44-6870 | A-71850-0098 | 15-44-5870 | A-71850-0162                             | 15-44-5170 | A-71850-0226 | 86,36  | 3,400                                    | 88,87  | 3,499  |        |          |      |          |      |
| 36        | 72                                   | 15-44-6872 | A-71850-0099 | 15-44-5872 | A-71850-0163                             | 15-44-5172 | A-71850-0227 | 88,90  | 3,500                                    | 91,41  | 3,599  |        |          |      |          |      |
| 37        | 74                                   | 15-44-6874 | A-71850-0100 | 15-44-5874 | A-71850-0164                             | 15-44-5174 | A-71850-0228 | 91,44  | 3,600                                    | 93,95  | 3,699  |        |          |      |          |      |
| 38        | 76                                   | 15-44-6876 | A-71850-0101 | 15-44-5876 | A-71850-0165                             | 15-44-5176 | A-71850-0229 | 93,98  | 3,700                                    | 96,49  | 3,799  |        |          |      |          |      |
| 39        | 78                                   | 15-44-6878 | A-71850-0102 | 15-44-5878 | A-71850-0166                             | 15-44-5178 | A-71850-0230 | 96,52  | 3,800                                    | 99,03  | 3,899  |        |          |      |          |      |
| 40        | 80                                   | 15-44-6880 | A-71850-0103 | 15-44-5880 | A-71850-0167                             | 15-44-5180 | A-71850-0231 | 99,06  | 3,900                                    | 101,57 | 3,999  |        |          |      |          |      |

PLATING PER ES-88-\*\*\*  
 TIN - (3.81 MICROMETERS)/150 MICRONS MINIMUM TIN OVERALL OVER NICKEL UNDERPLATE OVERALL.  
 15 GOLD - (0.38 MICROMETERS)/15 MICRONS MINIMUM GOLD PLATE IN SELECT AREA, (1.90 MICROMETERS)/75 MICRONS MINIMUM TIN IN SELECT AREA OVER NICKEL UNDERPLATE OVERALL.  
 30 GOLD - (0.76 MICROMETERS)/30 MICRONS MINIMUM GOLD PLATE IN SELECT AREA, (1.90 MICROMETERS)/75 MICRONS MINIMUM TIN IN SELECT AREA OVER NICKEL UNDERPLATE OVERALL.

|  |                     |  |   |  |   |   |
|--|---------------------|--|---|--|---|---|
| SEE SHEET 1<br>EC NO: UCP2015-5567<br>DRWINGMONGAN 2015/07/28<br>CHKDRPOFF 2015/07/28<br>APPR:SMILLER 2016/05/17 | QUALITY SYMBOLS<br> | GENERAL TOLERANCES (UNLESS SPECIFIED)<br>mm INCH<br>4 PLACES ± --- ± ---<br>3 PLACES ± --- ± .005<br>2 PLACES ± 0.13 ± .010<br>1 PLACE ± 0.25 ± ---<br>0 PLACE ± ± | DIMENSION STYLE<br>MM/IN<br>DRAWN BY SKL DATE 1988/02/29<br>CHECKED BY MJM DATE 1988/02/29<br>APPROVED BY MAZ DATE 1988/02/29 | SCALE 1:1<br>DESIGN UNITS INCH<br>THIRD ANGLE PROJECTION | SALES VERTICAL MOUNT<br>DUAL ROW HIGH TEMP<br>.100 X .100 PC GRID<br><b>molex</b> | MATERIAL NO.<br>DOCUMENT NO. SDA-71850-0***<br>SHEET NO. 2 OF 2 |
|--|---------------------|--|---|--|---|---|

DRAFT WHERE APPLICABLE MUST REMAIN WITHIN DIMENSIONS

THIS DRAWING CONTAINS INFORMATION THAT IS PROPRIETARY TO MOLEX INCORPORATED AND SHOULD NOT BE USED WITHOUT WRITTEN PERMISSION

12 11 10 9 8 7 6 5 4 3 2 1