



Distributor of Molex Connector Corporation: Excellent Integrated System Limited
Datasheet of 0015453114 - Connector Receptacle 14 Position 0.100" (2.54mm) Gold Surface Mount

Contact us: sales@integrated-circuit.com Website: www.integrated-circuit.com

Excellent Integrated System Limited

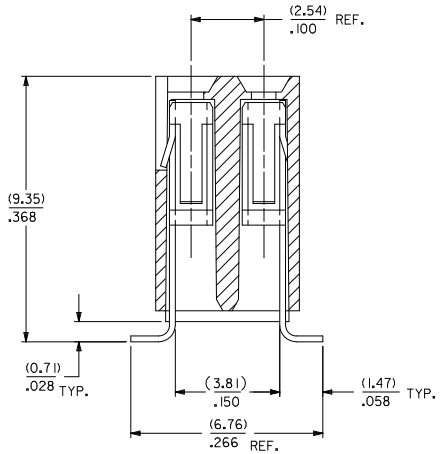
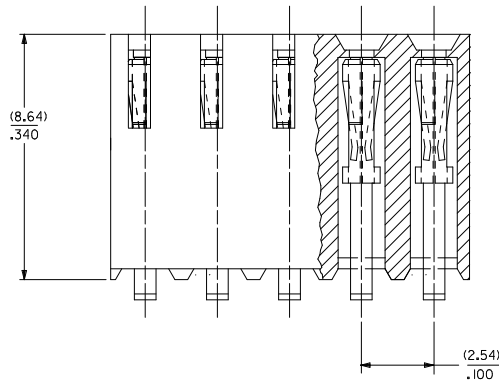
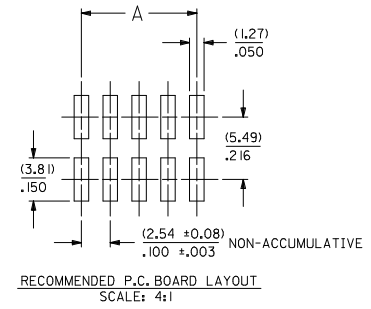
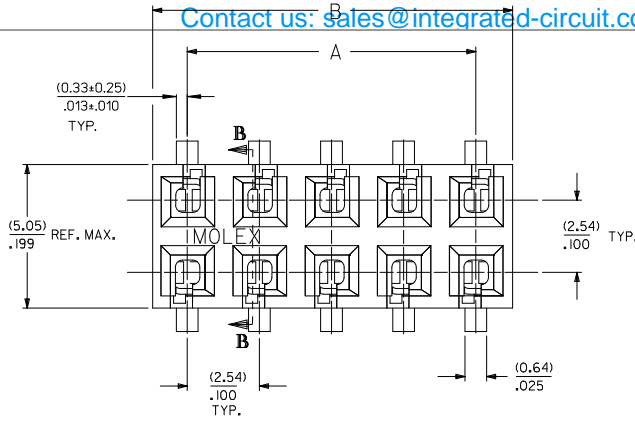
Stocking Distributor

Click to view price, real time Inventory, Delivery & Lifecycle Information:

[Molex Connector Corporation](#)
[0015453114](#)

For any questions, you can email us directly:
sales@integrated-circuit.com

Contact us: sales@integrated-circuit.com Website: www.integrated-circuit.com



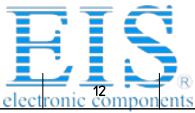
SECTION B-B

- VERSION WITHOUT PCB RETENTION PEGS -

NOTES:

- 1 - HOUSING MATERIAL: GLASS FILLED LCP (LIQUID CRYSTAL POLYMER), UL 94V-0, COLOR: BLACK.
- 2 - TERMINAL MATERIAL: (0.20)/.008 PHOSPHOR BRONZE
- 3 - SEE SHEET 2 FOR CIRCUIT SIZES AND OVER-ALL DIMENSIONS
- 4 - PART CONFORMS TO PS-71395
- 5 - PACKAGING:
FOR TRAY PACK SEE PK-70873-0304,
FOR TAPE AND REEL PACK SEE PK-71395-001.
- 6 - PRODUCT COMPLIES WITH CLASS B OF COSMETIC SPECIFICATION PS-45499-002.

| ADD 71395-5040 EC NO: UCP2010-1001 DRINKHARBARA 2009/10/14 CHIKKUMJANGAN 2009/12/01 APPASWILLER 2009/12/01 N REV | QUALITY SYMBOLS | GENERAL TOLERANCES (UNLESS SPECIFIED) | DIMENSION STYLE | SCALE | DESIGN UNITS | THIRD ANGLE PROJECTION | | | | | | | | | | | | | | | |
|--|--|---|-----------------|----------------|--------------|------------------------|------|------|----------|------|-------|----------|-------|-------|---------|-------|------|-------|--|--------|--|
| | $\nabla = 0$ $\nabla = 0$ $\nabla = 0$ | <table border="1"> <tr> <th></th> <th>mm</th> <th>INCH</th> </tr> <tr> <td>4 PLACES</td> <td>±---</td> <td>±---</td> </tr> <tr> <td>3 PLACES</td> <td>±---</td> <td>±.010</td> </tr> <tr> <td>2 PLACES</td> <td>±0.25</td> <td>±.014</td> </tr> <tr> <td>1 PLACE</td> <td>±0.35</td> <td>±---</td> </tr> </table> | | mm | INCH | 4 PLACES | ±--- | ±--- | 3 PLACES | ±--- | ±.010 | 2 PLACES | ±0.25 | ±.014 | 1 PLACE | ±0.35 | ±--- | MM/IN | | METRIC | |
| | | mm | INCH | | | | | | | | | | | | | | | | | | |
| | 4 PLACES | ±--- | ±--- | | | | | | | | | | | | | | | | | | |
| 3 PLACES | ±--- | ±.010 | | | | | | | | | | | | | | | | | | | |
| 2 PLACES | ±0.25 | ±.014 | | | | | | | | | | | | | | | | | | | |
| 1 PLACE | ±0.35 | ±--- | | | | | | | | | | | | | | | | | | | |
| | | DRAFT WHERE APPLICABLE MUST REMAIN WITHIN DIMENSIONS | SEE CHART | | | | | | | | | | | | | | | | | | |
| | | | MATERIAL NO. | DOCUMENT NO. | | SHEET NO. | | | | | | | | | | | | | | | |
| | | | 1985/12/03 | SDA-71395-1*** | | 1 OF 3 | | | | | | | | | | | | | | | |
| | | | | | | | | | | | | | | | | | | | | | |
| | | | | | | | | | | | | | | | | | | | | | |



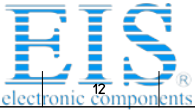
Distributor of Molex Connector Corporation: Excellent Integrated System Limited
 Datasheet of 0015453114 - Connector Receptacle 14 Position 0.100" (2.54mm) Gold Surface Mount

- VERSION WITHOUT PCB RETENTION PEGS -
 Contact us: sales@integrated-circuit.com Website: www.integrated-circuit.com

| NO. OF CKTS. | TIN PLATING | | | 15 GOLD PLATING | | | 30 GOLD PLATING | | | DIM. "A" INCH | DIM. "B" INCH | INCH | MM | |
|--------------|-------------|------------|---------------|-----------------|----------------|---------------|-----------------|----------------|---------------|------------------|------------------|-------|-------|----------|
| | PER ROW | TOTAL | E.D.P. NO. | ENG. NO. | TRAY PACKAGING | E.D.P. NO. | ENG. NO. | TRAY PACKAGING | E.D.P. NO. | | | | | ENG. NO. |
| 2 | 4 | NA | AX-71395-1004 | PK-70873-0304 | NA | AX-71395-1104 | PK-70873-0304 | NA | AX-71395-1204 | PK-70873-0304 | .200 | 2.54 | .199 | 5.05 |
| 3 | 6 | 71395-1006 | A-71395-1006 | PK-70873-0304 | NA | AX-71395-1106 | PK-70873-0304 | NA | AX-71395-1206 | PK-70873-0304 | .300 | 5.08 | .299 | 7.59 |
| 4 | 8 | 15-45-3208 | A-71395-1008 | PK-70873-0304 | 15-45-3108 | A-71395-1108 | PK-70873-0304 | 15-45-3308 | A-71395-1208 | PK-70873-0304 | .400 | 7.62 | .399 | 10.13 |
| 5 | 10 | 15-45-3210 | A-71395-1010 | PK-70873-0304 | 15-45-3110 | A-71395-1110 | PK-70873-0304 | 15-45-3310 | A-71395-1210 | PK-70873-0304 | .500 | 10.16 | .499 | 12.67 |
| 6 | 12 | 15-45-3212 | A-71395-1012 | PK-70873-0304 | 15-45-3112 | A-71395-1112 | PK-70873-0304 | 15-45-3312 | A-71395-1212 | PK-70873-0304 | .600 | 12.70 | .599 | 15.21 |
| 7 | 14 | 15-45-3214 | A-71395-1014 | PK-70873-0304 | 15-45-3114 | A-71395-1114 | PK-70873-0304 | 15-45-3314 | A-71395-1214 | PK-70873-0304 | .700 | 15.24 | .699 | 17.75 |
| 8 | 16 | 15-45-3216 | A-71395-1016 | PK-70873-0304 | 15-45-3116 | A-71395-1116 | PK-70873-0304 | 15-45-3316 | A-71395-1216 | PK-70873-0304 | .800 | 17.78 | .799 | 20.29 |
| 9 | 18 | 15-45-3218 | A-71395-1018 | PK-70873-0304 | 15-45-3118 | A-71395-1118 | PK-70873-0304 | 15-45-3318 | A-71395-1218 | PK-70873-0304 | .900 | 20.32 | .899 | 22.83 |
| 10 | 20 | 15-45-3220 | A-71395-1020 | PK-70873-0304 | 15-45-3120 | A-71395-1120 | PK-70873-0304 | 15-45-3320 | A-71395-1220 | PK-70873-0304 | 1.000 | 22.86 | .999 | 25.37 |
| 11 | 22 | 15-45-3222 | A-71395-1022 | PK-70873-0304 | 15-45-3122 | A-71395-1122 | PK-70873-0304 | 15-45-3322 | A-71395-1222 | PK-70873-0304 | 1.100 | 25.40 | 1.099 | 27.91 |
| 12 | 24 | 15-45-3224 | A-71395-1024 | PK-70873-0304 | 15-45-3124 | A-71395-1124 | PK-70873-0304 | 15-45-3324 | A-71395-1224 | PK-70873-0304 | 1.200 | 27.94 | 1.199 | 30.45 |
| 13 | 26 | 15-45-3226 | A-71395-1026 | PK-70873-0304 | 15-45-3126 | A-71395-1126 | PK-70873-0304 | 15-45-3326 | A-71395-1226 | PK-70873-0304 | 1.300 | 30.48 | 1.299 | 32.99 |
| 14 | 28 | 15-45-3228 | A-71395-1028 | PK-70873-0304 | 15-45-3128 | A-71395-1128 | PK-70873-0304 | 15-45-3328 | A-71395-1228 | PK-70873-0304 | 1.400 | 33.02 | 1.399 | 35.53 |
| 15 | 30 | 15-45-3230 | A-71395-1030 | PK-70873-0304 | 15-45-3130 | A-71395-1130 | PK-70873-0304 | 15-45-3330 | A-71395-1230 | PK-70873-0304 | 1.500 | 35.56 | 1.499 | 38.07 |
| 16 | 32 | 15-45-3232 | A-71395-1032 | PK-70873-0304 | 15-45-3132 | A-71395-1132 | PK-70873-0304 | 15-45-3332 | A-71395-1232 | PK-70873-0304 | 1.600 | 38.10 | 1.599 | 40.61 |
| 17 | 34 | 15-45-3234 | A-71395-1034 | PK-70873-0304 | 15-45-3134 | A-71395-1134 | PK-70873-0304 | 15-45-3334 | A-71395-1234 | PK-70873-0304 | 1.700 | 40.64 | 1.699 | 43.15 |
| 18 | 36 | 15-45-3236 | A-71395-1036 | PK-70873-0304 | 15-45-3136 | A-71395-1136 | PK-70873-0304 | 15-45-3336 | A-71395-1236 | PK-70873-0304 | 1.800 | 43.18 | 1.799 | 45.69 |
| 19 | 38 | 15-45-3238 | A-71395-1038 | PK-70873-0304 | 15-45-3138 | A-71395-1138 | PK-70873-0304 | 15-45-3338 | A-71395-1238 | PK-70873-0304 | 1.900 | 45.72 | 1.899 | 48.23 |
| 20 | 40 | 15-45-3240 | A-71395-1040 | PK-70873-0304 | 15-45-3140 | A-71395-1140 | PK-70873-0304 | 15-45-3340 | A-71395-1240 | PK-70873-0304 | 2.000 | 48.26 | 1.999 | 50.77 |
| 21 | 42 | 15-45-3242 | A-71395-1042 | PK-70873-0304 | 15-45-3142 | A-71395-1142 | PK-70873-0304 | 15-45-3342 | A-71395-1242 | PK-70873-0304 | 2.100 | 50.80 | 2.099 | 53.31 |
| 22 | 44 | 15-45-3244 | A-71395-1044 | PK-70873-0304 | 15-45-3144 | A-71395-1144 | PK-70873-0304 | 15-45-3344 | A-71395-1244 | PK-70873-0304 | 2.200 | 53.34 | 2.199 | 55.85 |
| 23 | 46 | 15-45-3246 | A-71395-1046 | PK-70873-0304 | 15-45-3146 | A-71395-1146 | PK-70873-0304 | 15-45-3346 | A-71395-1246 | PK-70873-0304 | 2.300 | 55.88 | 2.299 | 58.39 |
| 24 | 48 | 15-45-3248 | A-71395-1048 | PK-70873-0304 | 15-45-3148 | A-71395-1148 | PK-70873-0304 | 15-45-3348 | A-71395-1248 | PK-70873-0304 | 2.400 | 58.42 | 2.399 | 60.93 |
| 25 | 50 | 15-45-3250 | A-71395-1050 | PK-70873-0304 | 15-45-3150 | A-71395-1150 | PK-70873-0304 | 15-45-3350 | A-71395-1250 | PK-70873-0304 | 2.500 | 60.96 | 2.499 | 63.47 |
| 26 | 52 | 15-45-3252 | A-71395-1052 | PK-70873-0304 | 15-45-3152 | A-71395-1152 | PK-70873-0304 | 15-45-3352 | A-71395-1252 | PK-70873-0304 | 2.600 | 63.50 | 2.599 | 66.01 |
| 27 | 54 | 15-45-3254 | A-71395-1054 | PK-70873-0304 | 15-45-3154 | A-71395-1154 | PK-70873-0304 | 15-45-3354 | A-71395-1254 | PK-70873-0304 | 2.700 | 66.04 | 2.699 | 68.55 |
| 28 | 56 | 15-45-3256 | A-71395-1056 | PK-70873-0304 | 15-45-3156 | A-71395-1156 | PK-70873-0304 | 15-45-3356 | A-71395-1256 | PK-70873-0304 | 2.800 | 68.58 | 2.799 | 71.09 |
| 29 | 58 | 15-45-3258 | A-71395-1058 | PK-70873-0304 | 15-45-3158 | A-71395-1158 | PK-70873-0304 | 15-45-3358 | A-71395-1258 | PK-70873-0304 | 2.900 | 71.12 | 2.899 | 73.63 |
| 30 | 60 | 15-45-3260 | A-71395-1060 | PK-70873-0304 | 15-45-3160 | A-71395-1160 | PK-70873-0304 | 15-45-3360 | A-71395-1260 | PK-70873-0304 | 3.000 | 73.66 | 2.999 | 76.17 |
| 31 | 62 | 15-45-3262 | A-71395-1062 | PK-70873-0304 | 15-45-3162 | A-71395-1162 | PK-70873-0304 | 15-45-3362 | A-71395-1262 | PK-70873-0304 | 3.100 | 76.20 | 3.099 | 78.71 |
| 32 | 64 | 15-45-3264 | A-71395-1064 | PK-70873-0304 | 15-45-3164 | A-71395-1164 | PK-70873-0304 | 15-45-3364 | A-71395-1264 | PK-70873-0304 | 3.200 | 78.74 | 3.199 | 81.25 |
| 33 | 66 | 15-45-3266 | A-71395-1066 | PK-70873-0304 | 15-45-3166 | A-71395-1166 | PK-70873-0304 | 15-45-3366 | A-71395-1266 | PK-70873-0304 | 3.300 | 81.28 | 3.299 | 83.79 |
| 34 | 68 | 15-45-3268 | A-71395-1068 | PK-70873-0304 | 15-45-3168 | A-71395-1168 | PK-70873-0304 | 15-45-3368 | A-71395-1268 | PK-70873-0304 | 3.400 | 83.82 | 3.399 | 86.33 |
| 35 | 70 | 15-45-3270 | A-71395-1070 | PK-70873-0304 | 15-45-3170 | A-71395-1170 | PK-70873-0304 | 15-45-3370 | A-71395-1270 | PK-70873-0304 | 3.500 | 86.36 | 3.499 | 88.87 |
| 36 | 72 | 15-45-3272 | A-71395-1072 | PK-70873-0304 | 15-45-3172 | A-71395-1172 | PK-70873-0304 | 15-45-3372 | A-71395-1272 | PK-70873-0304 | 3.600 | 88.90 | 3.599 | 91.41 |
| 37 | 74 | 15-45-3274 | A-71395-1074 | PK-70873-0304 | 15-45-3174 | A-71395-1174 | PK-70873-0304 | 15-45-3374 | A-71395-1274 | PK-70873-0304 | 3.700 | 91.44 | 3.699 | 93.95 |
| 38 | 76 | 15-45-3276 | A-71395-1076 | PK-70873-0304 | 15-45-3176 | A-71395-1176 | PK-70873-0304 | 15-45-3376 | A-71395-1276 | PK-70873-0304 | 3.800 | 93.98 | 3.799 | 96.49 |
| 39 | 78 | 15-45-3278 | A-71395-1078 | PK-70873-0304 | 15-45-3178 | A-71395-1178 | PK-70873-0304 | 15-45-3378 | A-71395-1278 | PK-70873-0304 | 3.900 | 96.52 | 3.899 | 99.03 |
| 40 | 80 | 15-45-3280 | A-71395-1080 | PK-70873-0304 | 15-45-3180 | A-71395-1180 | PK-70873-0304 | 15-45-3380 | A-71395-1280 | PK-70873-0304 | 3.900 | 99.06 | 3.999 | 101.57 |

| | | | | | | | | | | |
|---|--|--|---------------------|---|---|--|---|-------------------------------------|--------------------------------|---------------------|
| PLATING: TIN (3.75 MICROMETER)/50 MICROINCH MINIMUM TIN OVER (1.25 MICROMETER)/50 MICROINCH MINIMUM NICKEL OVERALL. | 15 GOLD (0.37 MICROMETER)/15 MICROINCH MINIMUM SELECTIVE GOLD IN THE CONTACT AREA (1.88 MICROMETER)/75 MICROINCH MINIMUM SELECTIVE TIN IN THE PC TAIL AREA OVER (1.25 MICROMETER)/50 MICROINCH MINIMUM NICKEL OVERALL. | 30 GOLD (0.75 MICROMETER)/30 MICROINCH MINIMUM SELECTIVE GOLD IN THE CONTACT AREA (1.88 MICROMETER)/75 MICROINCH MINIMUM SELECTIVE TIN IN THE PC TAIL AREA OVER (1.25 MICROMETER)/50 MICROINCH MINIMUM NICKEL OVERALL. | QUALITY SYMBOLS | GENERAL TOLERANCES (UNLESS SPECIFIED) mm INCH 4 PLACES ± .010 ± .010 3 PLACES ± .025 ± .014 2 PLACES ± 0.25 ± .014 1 PLACE ± .375 ± .014 ANGULAR ± 1/2° | DIMENSION STYLE MM/IN DRAWN BY DATE CHECKED BY DATE RB 1985/12/03 APPROVED BY DATE | SCALE 1:1 DESIGN UNITS METRIC THIRD ANGLE PROJECTION | CONNEXOR DUAL ROW VERTICAL SURFACE MOUNT TOP ENTRY ON .100 GRID MOLEX INCORPORATED | MATERIAL NO. SEE CHART SIZE C | DOCUMENT NO. SDA-71395-1*** | SHEET NO. 2 OF 3 |
| | | | | | | | | | | |

| | | | | | | | | | | | |
|----|----|----|---|---|---|---|---|---|---|---|---|
| 12 | 11 | 10 | 9 | 8 | 7 | 6 | 5 | 4 | 3 | 2 | 1 |
|----|----|----|---|---|---|---|---|---|---|---|---|



Distributor of Molex Connector Corporation: Excellent Integrated System Limited
 Datasheet of 0015453114 - Connector Receptacle 14 Position 0.100" (2.54mm) Gold Surface Mount

Contact us: sales@integrated-circuit.com Website: www.integrated-circuit.com

| NO. OF CKTS. | TIN PLATING | | | 15 GOLD PLATING | | | 30 GOLD PLATING | | | DIM. "A" | | DIM. "B" | | | |
|--------------|-------------|-------|------------|-----------------|------------|--------------|-----------------|------------|--------------|--------------|--------------|----------|-------|-------|-------|
| | PER ROW | TOTAL | E.D.P. NO. | ENG. NO. | E.D.P. NO. | ENG. NO. | E.D.P. NO. | ENG. NO. | E.D.P. NO. | ENG. NO. | INCH | MM | INCH | MM | |
| 7 | 14 | NA | NA | NA | NA | NA | NA | NA | 71395-5114 | A-71395-5114 | PK-71395-001 | .600 | 15.24 | .699 | 17.75 |
| 8 | 16 | NA | NA | NA | 71395-5016 | A-71395-5016 | PK-71395-001 | NA | NA | NA | NA | .700 | 17.78 | .799 | 20.29 |
| 10 | 20 | NA | NA | NA | 71395-5020 | A-71395-5020 | PK-71395-001 | 71395-5120 | A-71395-5120 | PK-71395-001 | .900 | 22.86 | .999 | 25.37 | |
| 20 | 40 | NA | NA | NA | 71395-5040 | A-71395-5040 | PK-71395-001 | NA | NA | NA | 1.900 | 48.26 | 1.999 | 50.77 | |

PLATING:
 TIN (3.75 MICROMETER)/150 MICROINCH MINIMUM TIN OVER
 (1.25 MICROMETER)/50 MICROINCH MINIMUM NICKEL OVERALL.
 15 GOLD (0.37 MICROMETER)/15 MICROINCH MINIMUM SELECTIVE GOLD IN THE CONTACT AREA;
 (1.88 MICROMETER)/75 MICROINCH MINIMUM SELECTIVE TIN IN THE PC TAIL AREA OVER
 (1.25 MICROMETER)/50 MICROINCH MINIMUM NICKEL OVERALL.
 30 GOLD (0.75 MICROMETER)/30 MICROINCH MINIMUM SELECTIVE GOLD IN THE CONTACT AREA;
 (1.88 MICROMETER)/75 MICROINCH MINIMUM SELECTIVE TIN IN THE PC TAIL AREA OVER
 (1.25 MICROMETER)/50 MICROINCH MINIMUM NICKEL OVERALL.

| | | | | | | |
|--|--|---|-----------------|--|--------------|------------------------|
| ADD 71395-5040 EC NO: UCP2010-1001 2009/10/14 DRINKSI BARRA 2009/12/01 CHKOJUMJAN 2009/12/01 APPR:SMILLER 2009/12/01 REV: | QUALITY SYMBOLS | GENERAL TOLERANCES (UNLESS SPECIFIED) | DIMENSION STYLE | SCALE | DESIGN UNITS | THIRD ANGLE PROJECTION |
| | $\nabla = 0$ $\nabla = 0.010$ $\nabla = 0.014$ $\nabla = 0.035$ | 4 PLACES ± --- ± --- 3 PLACES ± --- ± .010 2 PLACES ± 0.25 ± .014 1 PLACE ± 0.35 ± --- ANGULAR ± 1/2° | MM/IN | 1:1 | METRIC | |
| | DESCRIPTION | DRAFT WHERE APPLICABLE MUST REMAIN WITHIN DIMENSIONS | SEE CHART | MOLEX INCORPORATED SDA-71395-1*** SHEET NO. 3 OF 3 | | |
| | REV | THIS DRAWING CONTAINS INFORMATION THAT IS PROPRIETARY TO MOLEX INCORPORATED AND SHOULD NOT BE USED WITHOUT WRITTEN PERMISSION | | | | |



Distributor of Molex Connector Corporation: Excellent Integrated System Limited
 Datasheet of 0015453114 - Connector Receptacle 14 Position 0.100" (2.54mm) Gold Surface Mount

Contact us: sales@integrated-circuit.com Website: www.integrated-circuit.com

| J | NO. OF CKTS. | | TIN PLATING | | | 15 GOLD PLATING | | | 30 GOLD PLATING | | | DIM. "A" | | DIM. "B" | | J |
|---|--------------|-------|-------------|---------------|----------------|-----------------|---------------|----------------|-----------------|---------------|----------------|----------|-------|----------|--------|---|
| | PER ROW | TOTAL | E.D.P. NO. | ENG. NO. | TRAY PACKAGING | E.D.P. NO. | ENG. NO. | TRAY PACKAGING | E.D.P. NO. | ENG. NO. | TRAY PACKAGING | INCH | MM | INCH | MM | |
| | 2 | 4 | NA | AX-71395-1004 | PK-70873-0304 | NA | AX-71395-1104 | PK-70873-0304 | NA | AX-71395-1204 | PK-70873-0304 | .100 | 2.54 | .199 | 5.05 | |
| | 3 | 6 | 71395-1006 | A-71395-1006 | PK-70873-0304 | NA | AX-71395-1106 | PK-70873-0304 | NA | AX-71395-1206 | PK-70873-0304 | .200 | 5.08 | .299 | 7.59 | |
| | 4 | 8 | 15-45-3208 | A-71395-1008 | PK-70873-0304 | 15-45-3108 | A-71395-1108 | PK-70873-0304 | 15-45-3308 | A-71395-1208 | PK-70873-0304 | .300 | 7.62 | .399 | 10.13 | |
| | 5 | 10 | 15-45-3210 | A-71395-1010 | PK-70873-0304 | 15-45-3110 | A-71395-1110 | PK-70873-0304 | 15-45-3310 | A-71395-1210 | PK-70873-0304 | .400 | 10.16 | .499 | 12.67 | |
| | 6 | 12 | 15-45-3212 | A-71395-1012 | PK-70873-0304 | 15-45-3112 | A-71395-1112 | PK-70873-0304 | 15-45-3312 | A-71395-1212 | PK-70873-0304 | .500 | 12.70 | .599 | 15.21 | |
| | 7 | 14 | 15-45-3214 | A-71395-1014 | PK-70873-0304 | 15-45-3114 | A-71395-1114 | PK-70873-0304 | 15-45-3314 | A-71395-1214 | PK-70873-0304 | .600 | 15.24 | .699 | 17.75 | |
| | 8 | 16 | 15-45-3216 | A-71395-1016 | PK-70873-0304 | 15-45-3116 | A-71395-1116 | PK-70873-0304 | 15-45-3316 | A-71395-1216 | PK-70873-0304 | .700 | 17.78 | .799 | 20.29 | |
| | 9 | 18 | 15-45-3218 | A-71395-1018 | PK-70873-0304 | 15-45-3118 | A-71395-1118 | PK-70873-0304 | 15-45-3318 | A-71395-1218 | PK-70873-0304 | .800 | 20.32 | .899 | 22.83 | |
| | 10 | 20 | 15-45-3220 | A-71395-1020 | PK-70873-0304 | 15-45-3120 | A-71395-1120 | PK-70873-0304 | 15-45-3320 | A-71395-1220 | PK-70873-0304 | .900 | 22.86 | .999 | 25.37 | |
| | 11 | 22 | 15-45-3222 | A-71395-1022 | PK-70873-0304 | 15-45-3122 | A-71395-1122 | PK-70873-0304 | 15-45-3322 | A-71395-1222 | PK-70873-0304 | 1.000 | 25.40 | 1.099 | 27.91 | |
| | 12 | 24 | 15-45-3224 | A-71395-1024 | PK-70873-0304 | 15-45-3124 | A-71395-1124 | PK-70873-0304 | 15-45-3324 | A-71395-1224 | PK-70873-0304 | 1.100 | 27.94 | 1.199 | 30.45 | |
| | 13 | 26 | 15-45-3226 | A-71395-1026 | PK-70873-0304 | 15-45-3126 | A-71395-1126 | PK-70873-0304 | 15-45-3326 | A-71395-1226 | PK-70873-0304 | 1.200 | 30.48 | 1.299 | 32.99 | |
| | 14 | 28 | 15-45-3228 | A-71395-1028 | PK-70873-0304 | 15-45-3128 | A-71395-1128 | PK-70873-0304 | 15-45-3328 | A-71395-1228 | PK-70873-0304 | 1.300 | 33.02 | 1.399 | 35.53 | |
| | 15 | 30 | 15-45-3230 | A-71395-1030 | PK-70873-0304 | 15-45-3130 | A-71395-1130 | PK-70873-0304 | 15-45-3330 | A-71395-1230 | PK-70873-0304 | 1.400 | 35.56 | 1.499 | 38.07 | |
| | 16 | 32 | 15-45-3232 | A-71395-1032 | PK-70873-0304 | 15-45-3132 | A-71395-1132 | PK-70873-0304 | 15-45-3332 | A-71395-1232 | PK-70873-0304 | 1.500 | 38.10 | 1.599 | 40.61 | |
| | 17 | 34 | 15-45-3234 | A-71395-1034 | PK-70873-0304 | 15-45-3134 | A-71395-1134 | PK-70873-0304 | 15-45-3334 | A-71395-1234 | PK-70873-0304 | 1.600 | 40.64 | 1.699 | 43.15 | |
| | 18 | 36 | 15-45-3236 | A-71395-1036 | PK-70873-0304 | 15-45-3136 | A-71395-1136 | PK-70873-0304 | 15-45-3336 | A-71395-1236 | PK-70873-0304 | 1.700 | 43.18 | 1.799 | 45.69 | |
| | 19 | 38 | 15-45-3238 | A-71395-1038 | PK-70873-0304 | 15-45-3138 | A-71395-1138 | PK-70873-0304 | 15-45-3338 | A-71395-1238 | PK-70873-0304 | 1.800 | 45.72 | 1.899 | 48.23 | |
| | 20 | 40 | 15-45-3240 | A-71395-1040 | PK-70873-0304 | 15-45-3140 | A-71395-1140 | PK-70873-0304 | 15-45-3340 | A-71395-1240 | PK-70873-0304 | 1.900 | 48.26 | 1.999 | 50.77 | |
| | 21 | 42 | 15-45-3242 | A-71395-1042 | PK-70873-0304 | 15-45-3142 | A-71395-1142 | PK-70873-0304 | 15-45-3342 | A-71395-1242 | PK-70873-0304 | 2.000 | 50.80 | 2.099 | 53.31 | |
| | 22 | 44 | 15-45-3244 | A-71395-1044 | PK-70873-0304 | 15-45-3144 | A-71395-1144 | PK-70873-0304 | 15-45-3344 | A-71395-1244 | PK-70873-0304 | 2.100 | 53.34 | 2.199 | 55.85 | |
| | 23 | 46 | 15-45-3246 | A-71395-1046 | PK-70873-0304 | 15-45-3146 | A-71395-1146 | PK-70873-0304 | 15-45-3346 | A-71395-1246 | PK-70873-0304 | 2.200 | 55.88 | 2.299 | 58.39 | |
| | 24 | 48 | 15-45-3248 | A-71395-1048 | PK-70873-0304 | 15-45-3148 | A-71395-1148 | PK-70873-0304 | 15-45-3348 | A-71395-1248 | PK-70873-0304 | 2.300 | 58.42 | 2.399 | 60.93 | |
| | 25 | 50 | 15-45-3250 | A-71395-1050 | PK-70873-0304 | 15-45-3150 | A-71395-1150 | PK-70873-0304 | 15-45-3350 | A-71395-1250 | PK-70873-0304 | 2.400 | 60.96 | 2.499 | 63.47 | |
| | 26 | 52 | 15-45-3252 | A-71395-1052 | PK-70873-0304 | 15-45-3152 | A-71395-1152 | PK-70873-0304 | 15-45-3352 | A-71395-1252 | PK-70873-0304 | 2.500 | 63.50 | 2.599 | 66.01 | |
| | 27 | 54 | 15-45-3254 | A-71395-1054 | PK-70873-0304 | 15-45-3154 | A-71395-1154 | PK-70873-0304 | 15-45-3354 | A-71395-1254 | PK-70873-0304 | 2.600 | 66.04 | 2.699 | 68.55 | |
| | 28 | 56 | 15-45-3256 | A-71395-1056 | PK-70873-0304 | 15-45-3156 | A-71395-1156 | PK-70873-0304 | 15-45-3356 | A-71395-1256 | PK-70873-0304 | 2.700 | 68.58 | 2.799 | 71.09 | |
| | 29 | 58 | 15-45-3258 | A-71395-1058 | PK-70873-0304 | 15-45-3158 | A-71395-1158 | PK-70873-0304 | 15-45-3358 | A-71395-1258 | PK-70873-0304 | 2.800 | 71.12 | 2.899 | 73.63 | |
| | 30 | 60 | 15-45-3260 | A-71395-1060 | PK-70873-0304 | 15-45-3160 | A-71395-1160 | PK-70873-0304 | 15-45-3360 | A-71395-1260 | PK-70873-0304 | 2.900 | 73.66 | 2.999 | 76.17 | |
| | 31 | 62 | 15-45-3262 | A-71395-1062 | PK-70873-0304 | 15-45-3162 | A-71395-1162 | PK-70873-0304 | 15-45-3362 | A-71395-1262 | PK-70873-0304 | 3.000 | 76.20 | 3.099 | 78.71 | |
| | 32 | 64 | 15-45-3264 | A-71395-1064 | PK-70873-0304 | 15-45-3164 | A-71395-1164 | PK-70873-0304 | 15-45-3364 | A-71395-1264 | PK-70873-0304 | 3.100 | 78.74 | 3.199 | 81.25 | |
| | 33 | 66 | 15-45-3266 | A-71395-1066 | PK-70873-0304 | 15-45-3166 | A-71395-1166 | PK-70873-0304 | 15-45-3366 | A-71395-1266 | PK-70873-0304 | 3.200 | 81.28 | 3.299 | 83.79 | |
| | 34 | 68 | 15-45-3268 | A-71395-1068 | PK-70873-0304 | 15-45-3168 | A-71395-1168 | PK-70873-0304 | 15-45-3368 | A-71395-1268 | PK-70873-0304 | 3.300 | 83.82 | 3.399 | 86.33 | |
| | 35 | 70 | 15-45-3270 | A-71395-1070 | PK-70873-0304 | 15-45-3170 | A-71395-1170 | PK-70873-0304 | 15-45-3370 | A-71395-1270 | PK-70873-0304 | 3.400 | 86.36 | 3.499 | 88.87 | |
| | 36 | 72 | 15-45-3272 | A-71395-1072 | PK-70873-0304 | 15-45-3172 | A-71395-1172 | PK-70873-0304 | 15-45-3372 | A-71395-1272 | PK-70873-0304 | 3.500 | 88.90 | 3.599 | 91.41 | |
| | 37 | 74 | 15-45-3274 | A-71395-1074 | PK-70873-0304 | 15-45-3174 | A-71395-1174 | PK-70873-0304 | 15-45-3374 | A-71395-1274 | PK-70873-0304 | 3.600 | 91.44 | 3.699 | 93.95 | |
| | 38 | 76 | 15-45-3276 | A-71395-1076 | PK-70873-0304 | 15-45-3176 | A-71395-1176 | PK-70873-0304 | 15-45-3376 | A-71395-1276 | PK-70873-0304 | 3.700 | 93.98 | 3.799 | 96.49 | |
| | 39 | 78 | 15-45-3278 | A-71395-1078 | PK-70873-0304 | 15-45-3178 | A-71395-1178 | PK-70873-0304 | 15-45-3378 | A-71395-1278 | PK-70873-0304 | 3.800 | 96.52 | 3.899 | 99.03 | |
| | 40 | 80 | 15-45-3280 | A-71395-1080 | PK-70873-0304 | 15-45-3180 | A-71395-1180 | PK-70873-0304 | 15-45-3380 | A-71395-1280 | PK-70873-0304 | 3.900 | 99.06 | 3.999 | 101.57 | |

| | | | | | | | | | | | | | | | | | | | | | | | | | | | | | | | | | | | | | | | | | |
|--|---|-------------------------------|--|--|-----------------|------|-------|--------------|------------------------|------|---|---|--|----------|------|------|---|---|-------------------------------|---------------------------------------|--|-----------------|--|-------|--------------|------------------------|--|---|---|--|--|--|-------|------|------|--------|------|------|----------|------|------|
| C | | | | | | | | | | | | | | | | C | | | | | | | | | | | | | | | | | | | | | | | | | |
| | | | | | | | | | | | | | | | | | | | | | | | | | | | | | | | | | | | | | | | | | |
| B | PLATING: TIN (3.75 MICROMETER)/50 MICROINCH MINIMUM TIN OVER (1.25 MICROMETER)/50 MICROINCH MINIMUM NICKEL OVERALL. 15 GOLD (0.37 MICROMETER)/15 MICROINCH MINIMUM SELECTIVE GOLD IN THE CONTACT AREA; (1.88 MICROMETER)/75 MICROINCH MINIMUM SELECTIVE TIN IN THE PC TAIL AREA OVER (1.25 MICROMETER)/50 MICROINCH MINIMUM NICKEL OVERALL. 30 GOLD (0.75 MICROMETER)/30 MICROINCH MINIMUM SELECTIVE GOLD IN THE CONTACT AREA; (1.88 MICROMETER)/75 MICROINCH MINIMUM SELECTIVE TIN IN THE PC TAIL AREA OVER (1.25 MICROMETER)/50 MICROINCH MINIMUM NICKEL OVERALL. | | | | | | | | | | | | | | | B | | | | | | | | | | | | | | | | | | | | | | | | | |
| | <table border="1"> <tr> <td rowspan="2">A</td> <td rowspan="2"> ADD: 71395-1006 EC NO: UCE2007-2946 DR: WINDMORGAN 2007/06/19 CH: KUROBARA 2007/06/19 APPR: SNILLER 2007/06/22 DESCRIPTION </td> <td rowspan="2"> QUALITY SYMBOLS ▽=0 ▽=0 </td> <td colspan="2">GENERAL TOLERANCES (UNLESS SPECIFIED)</td> <td colspan="2">DIMENSION STYLE</td> <td>SCALE</td> <td>DESIGN UNITS</td> <td colspan="2">THIRD ANGLE PROJECTION</td> <td rowspan="2"> DRAWN BY CHECKED BY DATE APPROVED BY DATE </td> <td rowspan="2"> MATERIAL NO. DOCUMENT NO. SHEET NO. </td> <td rowspan="2"> MOLEX INCORPORATED THIS DRAWING CONTAINS INFORMATION THAT IS PROPRIETARY TO MOLEX INCORPORATED AND SHOULD NOT BE USED WITHOUT WRITTEN PERMISSION </td> </tr> <tr> <td colspan="2"> 4 PLACES ±.010 ±.010 3 PLACES ±.010 ±.010 2 PLACES ±.025 ±.014 1 PLACE ±.035 ±.010 ANGULAR ±1/2° </td> <td>MM/IN</td> <td>DATE</td> <td>10:1</td> <td>METRIC</td> <td>DATE</td> <td>DATE</td> <td>12/03/85</td> <td>DATE</td> <td>DATE</td> <td>2</td> </tr> </table> | | | | | | | | | | | | | | | | A | ADD: 71395-1006 EC NO: UCE2007-2946 DR: WINDMORGAN 2007/06/19 CH: KUROBARA 2007/06/19 APPR: SNILLER 2007/06/22 DESCRIPTION | QUALITY SYMBOLS ▽=0 ▽=0 | GENERAL TOLERANCES (UNLESS SPECIFIED) | | DIMENSION STYLE | | SCALE | DESIGN UNITS | THIRD ANGLE PROJECTION | | DRAWN BY CHECKED BY DATE APPROVED BY DATE | MATERIAL NO. DOCUMENT NO. SHEET NO. | MOLEX INCORPORATED THIS DRAWING CONTAINS INFORMATION THAT IS PROPRIETARY TO MOLEX INCORPORATED AND SHOULD NOT BE USED WITHOUT WRITTEN PERMISSION | 4 PLACES ±.010 ±.010 3 PLACES ±.010 ±.010 2 PLACES ±.025 ±.014 1 PLACE ±.035 ±.010 ANGULAR ±1/2° | | MM/IN | DATE | 10:1 | METRIC | DATE | DATE | 12/03/85 | DATE | DATE |
| A | ADD: 71395-1006 EC NO: UCE2007-2946 DR: WINDMORGAN 2007/06/19 CH: KUROBARA 2007/06/19 APPR: SNILLER 2007/06/22 DESCRIPTION | QUALITY SYMBOLS ▽=0 ▽=0 | GENERAL TOLERANCES (UNLESS SPECIFIED) | | DIMENSION STYLE | | SCALE | DESIGN UNITS | THIRD ANGLE PROJECTION | | DRAWN BY CHECKED BY DATE APPROVED BY DATE | MATERIAL NO. DOCUMENT NO. SHEET NO. | MOLEX INCORPORATED THIS DRAWING CONTAINS INFORMATION THAT IS PROPRIETARY TO MOLEX INCORPORATED AND SHOULD NOT BE USED WITHOUT WRITTEN PERMISSION | | | | | | | | | | | | | | | | | | | | | | | | | | | | |
| | | | 4 PLACES ±.010 ±.010 3 PLACES ±.010 ±.010 2 PLACES ±.025 ±.014 1 PLACE ±.035 ±.010 ANGULAR ±1/2° | | MM/IN | DATE | 10:1 | METRIC | DATE | DATE | | | | 12/03/85 | DATE | DATE | 2 | | | | | | | | | | | | | | | | | | | | | | | | |
| DRAFT WHERE APPLICABLE MUST REMAIN WITHIN DIMENSIONS | | | | | | | | | | | | | | | A | | | | | | | | | | | | | | | | | | | | | | | | | | |