



**Distributor of Molex Connector Corporation: Excellent Integrated System Limited**  
Datasheet of 0015453308 - Connector Receptacle 8 Position 0.100" (2.54mm) Gold Surface  
Mount

Contact us: [sales@integrated-circuit.com](mailto:sales@integrated-circuit.com) Website: [www.integrated-circuit.com](http://www.integrated-circuit.com)

---

## **Excellent Integrated System Limited**

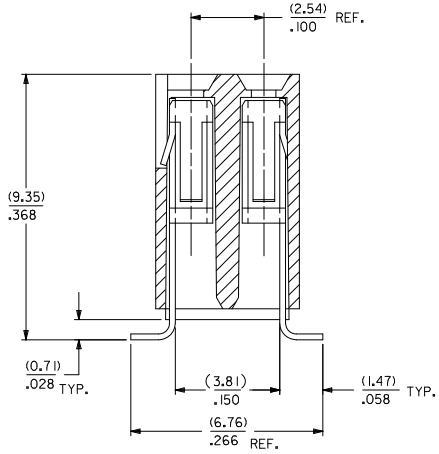
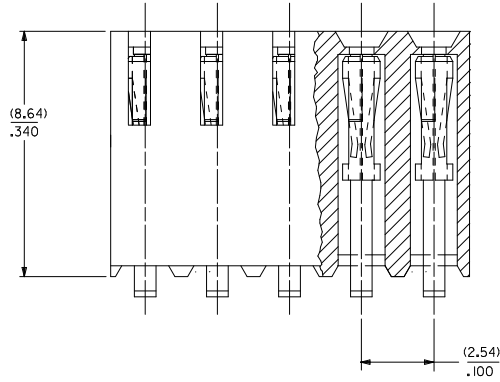
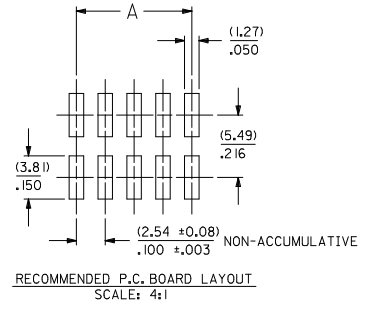
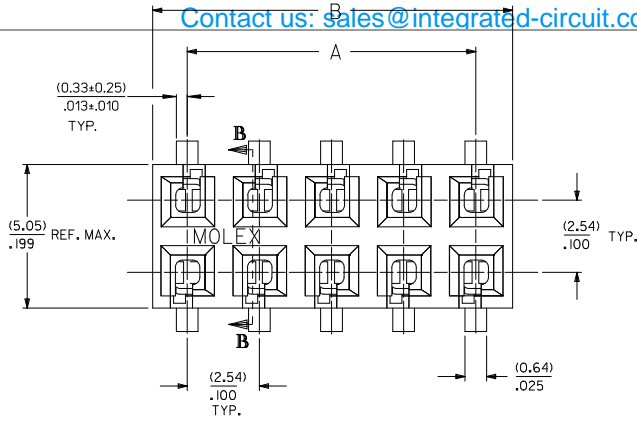
Stocking Distributor

Click to view price, real time Inventory, Delivery & Lifecycle Information:

[Molex Connector Corporation](#)  
[0015453308](#)

For any questions, you can email us directly:  
[sales@integrated-circuit.com](mailto:sales@integrated-circuit.com)

Contact us: [sales@integrated-circuit.com](mailto:sales@integrated-circuit.com) Website: [www.integrated-circuit.com](http://www.integrated-circuit.com)

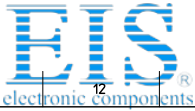


- VERSION WITHOUT PCB RETENTION PEGS -

NOTES:

- HOUSING MATERIAL: GLASS FILLED LCP (LIQUID CRYSTAL POLYMER), UL 94V-0, COLOR: BLACK.
- TERMINAL MATERIAL: (0.20)±.008 PHOSPHOR BRONZE
- SEE SHEET 2 FOR CIRCUIT SIZES AND OVER-ALL DIMENSIONS
- PART CONFORMS TO PS-71395
- PACKAGING:  
FOR TRAY PACK SEE PK-70873-0304,  
FOR TAPE AND REEL PACK SEE PK-71395-001.
- PRODUCT COMPLIES WITH CLASS B OF COSMETIC SPECIFICATION PS-45499-002.

|  |  |   |                 |              |              |   |   |
|--|--|---|-----------------|--------------|--------------|---|---|
| ADD 71395-5040<br>EC NO: UCP2010-1001<br>DRWINGST BARBARA 2009/10/14<br>CHKD BUNGAN 2009/12/01<br>APPR: SMILLER 2009/12/01<br>N<br>REV | QUALITY SYMBOLS                              | GENERAL TOLERANCES (UNLESS SPECIFIED)   | DIMENSION STYLE | SCALE        | DESIGN UNITS | THIRD ANGLE PROJECTION  |   |
|  | $\nabla = 0$<br>$\nabla = 0$<br>$\nabla = 0$ | 4 PLACES ± --- ± ---<br>3 PLACES ± --- ± .010<br>2 PLACES ± 0.25 ± .014<br>1 PLACE ± 0.35 ± ---<br>ANGULAR ± 1/2° | MM/IN           | MM/M         | METRIC       | DRAWN BY DATE<br>CHECKED BY DATE<br>RB 1985/12/03<br>APPROVED BY DATE | TITLE<br>CONNECTOR DUAL ROW<br>VERTICAL SURFACE MOUNT<br>TOP ENTRY ON .100 GRID |
|  |  | DRAFT WHERE APPLICABLE MUST REMAIN WITHIN DIMENSIONS  | SEE CHART       | MATERIAL NO. | DOCUMENT NO. | SHEET NO.   |   |
|  |  |   |                 |              |              | 1 OF 3  |   |



**Distributor of Molex Connector Corporation: Excellent Integrated System Limited**  
 Datasheet of 0015453308 - Connector Receptacle 8 Position 0.100" (2.54mm) Gold Surface Mount

- VERSION WITHOUT PCB RETENTION PEGS -  
 Contact us: sales@integrated-circuit.com Website: www.integrated-circuit.com

| NO. OF CKTS. | TIN PLATING |            |               | 15 GOLD PLATING |                |               | 30 GOLD PLATING |                |               | DIM. "A"<br>INCH | DIM. "B"<br>INCH | INCH  | MM    |          |
|--------------|-------------|------------|---------------|-----------------|----------------|---------------|-----------------|----------------|---------------|------------------|------------------|-------|-------|----------|
|              | PER ROW     | TOTAL      | E.D.P. NO.    | ENG. NO.        | TRAY PACKAGING | E.D.P. NO.    | ENG. NO.        | TRAY PACKAGING | E.D.P. NO.    |                  |                  |       |       | ENG. NO. |
| 2            | 4           | NA         | AX-71395-1004 | PK-70873-0304   | NA             | AX-71395-1104 | PK-70873-0304   | NA             | AX-71395-1204 | PK-70873-0304    | .200             | 2.54  | .199  | 5.05     |
| 3            | 6           | 71395-1006 | A-71395-1006  | PK-70873-0304   | NA             | AX-71395-1106 | PK-70873-0304   | NA             | AX-71395-1206 | PK-70873-0304    | .300             | 5.08  | .299  | 7.59     |
| 4            | 8           | 15-45-3208 | A-71395-1008  | PK-70873-0304   | 15-45-3108     | A-71395-1108  | PK-70873-0304   | 15-45-3308     | A-71395-1208  | PK-70873-0304    | .400             | 7.62  | .399  | 10.13    |
| 5            | 10          | 15-45-3210 | A-71395-1010  | PK-70873-0304   | 15-45-3110     | A-71395-1110  | PK-70873-0304   | 15-45-3310     | A-71395-1210  | PK-70873-0304    | .500             | 10.16 | .499  | 12.67    |
| 6            | 12          | 15-45-3212 | A-71395-1012  | PK-70873-0304   | 15-45-3112     | A-71395-1112  | PK-70873-0304   | 15-45-3312     | A-71395-1212  | PK-70873-0304    | .600             | 12.70 | .599  | 15.21    |
| 7            | 14          | 15-45-3214 | A-71395-1014  | PK-70873-0304   | 15-45-3114     | A-71395-1114  | PK-70873-0304   | 15-45-3314     | A-71395-1214  | PK-70873-0304    | .700             | 15.24 | .699  | 17.75    |
| 8            | 16          | 15-45-3216 | A-71395-1016  | PK-70873-0304   | 15-45-3116     | A-71395-1116  | PK-70873-0304   | 15-45-3316     | A-71395-1216  | PK-70873-0304    | .800             | 17.78 | .799  | 20.29    |
| 9            | 18          | 15-45-3218 | A-71395-1018  | PK-70873-0304   | 15-45-3118     | A-71395-1118  | PK-70873-0304   | 15-45-3318     | A-71395-1218  | PK-70873-0304    | .900             | 20.32 | .899  | 22.83    |
| 10           | 20          | 15-45-3220 | A-71395-1020  | PK-70873-0304   | 15-45-3120     | A-71395-1120  | PK-70873-0304   | 15-45-3320     | A-71395-1220  | PK-70873-0304    | 1.000            | 22.86 | .999  | 25.37    |
| 11           | 22          | 15-45-3222 | A-71395-1022  | PK-70873-0304   | 15-45-3122     | A-71395-1122  | PK-70873-0304   | 15-45-3322     | A-71395-1222  | PK-70873-0304    | 1.100            | 25.40 | 1.099 | 27.91    |
| 12           | 24          | 15-45-3224 | A-71395-1024  | PK-70873-0304   | 15-45-3124     | A-71395-1124  | PK-70873-0304   | 15-45-3324     | A-71395-1224  | PK-70873-0304    | 1.200            | 27.94 | 1.199 | 30.45    |
| 13           | 26          | 15-45-3226 | A-71395-1026  | PK-70873-0304   | 15-45-3126     | A-71395-1126  | PK-70873-0304   | 15-45-3326     | A-71395-1226  | PK-70873-0304    | 1.300            | 30.48 | 1.299 | 32.99    |
| 14           | 28          | 15-45-3228 | A-71395-1028  | PK-70873-0304   | 15-45-3128     | A-71395-1128  | PK-70873-0304   | 15-45-3328     | A-71395-1228  | PK-70873-0304    | 1.400            | 33.02 | 1.399 | 35.53    |
| 15           | 30          | 15-45-3230 | A-71395-1030  | PK-70873-0304   | 15-45-3130     | A-71395-1130  | PK-70873-0304   | 15-45-3330     | A-71395-1230  | PK-70873-0304    | 1.500            | 35.56 | 1.499 | 38.07    |
| 16           | 32          | 15-45-3232 | A-71395-1032  | PK-70873-0304   | 15-45-3132     | A-71395-1132  | PK-70873-0304   | 15-45-3332     | A-71395-1232  | PK-70873-0304    | 1.600            | 38.10 | 1.599 | 40.61    |
| 17           | 34          | 15-45-3234 | A-71395-1034  | PK-70873-0304   | 15-45-3134     | A-71395-1134  | PK-70873-0304   | 15-45-3334     | A-71395-1234  | PK-70873-0304    | 1.700            | 40.64 | 1.699 | 43.15    |
| 18           | 36          | 15-45-3236 | A-71395-1036  | PK-70873-0304   | 15-45-3136     | A-71395-1136  | PK-70873-0304   | 15-45-3336     | A-71395-1236  | PK-70873-0304    | 1.800            | 43.18 | 1.799 | 45.69    |
| 19           | 38          | 15-45-3238 | A-71395-1038  | PK-70873-0304   | 15-45-3138     | A-71395-1138  | PK-70873-0304   | 15-45-3338     | A-71395-1238  | PK-70873-0304    | 1.900            | 45.72 | 1.899 | 48.23    |
| 20           | 40          | 15-45-3240 | A-71395-1040  | PK-70873-0304   | 15-45-3140     | A-71395-1140  | PK-70873-0304   | 15-45-3340     | A-71395-1240  | PK-70873-0304    | 2.000            | 48.26 | 1.999 | 50.77    |
| 21           | 42          | 15-45-3242 | A-71395-1042  | PK-70873-0304   | 15-45-3142     | A-71395-1142  | PK-70873-0304   | 15-45-3342     | A-71395-1242  | PK-70873-0304    | 2.100            | 50.80 | 2.099 | 53.31    |
| 22           | 44          | 15-45-3244 | A-71395-1044  | PK-70873-0304   | 15-45-3144     | A-71395-1144  | PK-70873-0304   | 15-45-3344     | A-71395-1244  | PK-70873-0304    | 2.200            | 53.34 | 2.199 | 55.85    |
| 23           | 46          | 15-45-3246 | A-71395-1046  | PK-70873-0304   | 15-45-3146     | A-71395-1146  | PK-70873-0304   | 15-45-3346     | A-71395-1246  | PK-70873-0304    | 2.300            | 55.88 | 2.299 | 58.39    |
| 24           | 48          | 15-45-3248 | A-71395-1048  | PK-70873-0304   | 15-45-3148     | A-71395-1148  | PK-70873-0304   | 15-45-3348     | A-71395-1248  | PK-70873-0304    | 2.400            | 58.42 | 2.399 | 60.93    |
| 25           | 50          | 15-45-3250 | A-71395-1050  | PK-70873-0304   | 15-45-3150     | A-71395-1150  | PK-70873-0304   | 15-45-3350     | A-71395-1250  | PK-70873-0304    | 2.500            | 60.96 | 2.499 | 63.47    |
| 26           | 52          | 15-45-3252 | A-71395-1052  | PK-70873-0304   | 15-45-3152     | A-71395-1152  | PK-70873-0304   | 15-45-3352     | A-71395-1252  | PK-70873-0304    | 2.600            | 63.50 | 2.599 | 66.01    |
| 27           | 54          | 15-45-3254 | A-71395-1054  | PK-70873-0304   | 15-45-3154     | A-71395-1154  | PK-70873-0304   | 15-45-3354     | A-71395-1254  | PK-70873-0304    | 2.700            | 66.04 | 2.699 | 68.55    |
| 28           | 56          | 15-45-3256 | A-71395-1056  | PK-70873-0304   | 15-45-3156     | A-71395-1156  | PK-70873-0304   | 15-45-3356     | A-71395-1256  | PK-70873-0304    | 2.800            | 68.58 | 2.799 | 71.09    |
| 29           | 58          | 15-45-3258 | A-71395-1058  | PK-70873-0304   | 15-45-3158     | A-71395-1158  | PK-70873-0304   | 15-45-3358     | A-71395-1258  | PK-70873-0304    | 2.900            | 71.12 | 2.899 | 73.63    |
| 30           | 60          | 15-45-3260 | A-71395-1060  | PK-70873-0304   | 15-45-3160     | A-71395-1160  | PK-70873-0304   | 15-45-3360     | A-71395-1260  | PK-70873-0304    | 3.000            | 73.66 | 2.999 | 76.17    |
| 31           | 62          | 15-45-3262 | A-71395-1062  | PK-70873-0304   | 15-45-3162     | A-71395-1162  | PK-70873-0304   | 15-45-3362     | A-71395-1262  | PK-70873-0304    | 3.100            | 76.20 | 3.099 | 78.71    |
| 32           | 64          | 15-45-3264 | A-71395-1064  | PK-70873-0304   | 15-45-3164     | A-71395-1164  | PK-70873-0304   | 15-45-3364     | A-71395-1264  | PK-70873-0304    | 3.200            | 78.74 | 3.199 | 81.25    |
| 33           | 66          | 15-45-3266 | A-71395-1066  | PK-70873-0304   | 15-45-3166     | A-71395-1166  | PK-70873-0304   | 15-45-3366     | A-71395-1266  | PK-70873-0304    | 3.300            | 81.28 | 3.299 | 83.79    |
| 34           | 68          | 15-45-3268 | A-71395-1068  | PK-70873-0304   | 15-45-3168     | A-71395-1168  | PK-70873-0304   | 15-45-3368     | A-71395-1268  | PK-70873-0304    | 3.400            | 83.82 | 3.399 | 86.33    |
| 35           | 70          | 15-45-3270 | A-71395-1070  | PK-70873-0304   | 15-45-3170     | A-71395-1170  | PK-70873-0304   | 15-45-3370     | A-71395-1270  | PK-70873-0304    | 3.500            | 86.36 | 3.499 | 88.87    |
| 36           | 72          | 15-45-3272 | A-71395-1072  | PK-70873-0304   | 15-45-3172     | A-71395-1172  | PK-70873-0304   | 15-45-3372     | A-71395-1272  | PK-70873-0304    | 3.600            | 88.90 | 3.599 | 91.41    |
| 37           | 74          | 15-45-3274 | A-71395-1074  | PK-70873-0304   | 15-45-3174     | A-71395-1174  | PK-70873-0304   | 15-45-3374     | A-71395-1274  | PK-70873-0304    | 3.700            | 91.44 | 3.699 | 93.95    |
| 38           | 76          | 15-45-3276 | A-71395-1076  | PK-70873-0304   | 15-45-3176     | A-71395-1176  | PK-70873-0304   | 15-45-3376     | A-71395-1276  | PK-70873-0304    | 3.800            | 93.98 | 3.799 | 96.49    |
| 39           | 78          | 15-45-3278 | A-71395-1078  | PK-70873-0304   | 15-45-3178     | A-71395-1178  | PK-70873-0304   | 15-45-3378     | A-71395-1278  | PK-70873-0304    | 3.900            | 96.52 | 3.899 | 99.03    |
| 40           | 80          | 15-45-3280 | A-71395-1080  | PK-70873-0304   | 15-45-3180     | A-71395-1180  | PK-70873-0304   | 15-45-3380     | A-71395-1280  | PK-70873-0304    | 3.900            | 99.06 | 3.999 | 101.57   |

|   |  |  |                     |   |  |  |   |   |
|---|--|--|---------------------|---|--|--|---|---|
| PLATING:<br>TIN (3.75 MICROMETER)/50 MICROINCH MINIMUM TIN OVER<br>(1.25 MICROMETER)/50 MICROINCH MINIMUM NICKEL OVERALL. | 15 GOLD (0.37 MICROMETER)/15 MICROINCH MINIMUM SELECTIVE GOLD IN THE CONTACT AREA<br>(1.88 MICROMETER)/75 MICROINCH MINIMUM SELECTIVE TIN IN THE PC TAIL AREA OVER<br>(1.25 MICROMETER)/50 MICROINCH MINIMUM NICKEL OVERALL. | 30 GOLD (0.75 MICROMETER)/30 MICROINCH MINIMUM SELECTIVE GOLD IN THE CONTACT AREA<br>(1.88 MICROMETER)/75 MICROINCH MINIMUM SELECTIVE TIN IN THE PC TAIL AREA OVER<br>(1.25 MICROMETER)/50 MICROINCH MINIMUM NICKEL OVERALL. | QUALITY SYMBOLS<br> | GENERAL TOLERANCES (UNLESS SPECIFIED)<br>mm INCH<br>4 PLACES ±.010 ±.010<br>3 PLACES ±.025 ±.014<br>2 PLACES ±0.25 ±.014<br>1 PLACE ±.30 ±.014<br>ANGULAR ±1/2° | DIMENSION STYLE<br>MM/IN<br>DRAWN BY DATE<br>CHECKED BY DATE<br>APPROVED BY DATE | SCALE 1:1<br>DESIGN UNITS METRIC<br>THIRD ANGLE PROJECTION | CONECTOR DUAL ROW<br>VERTICAL SURFACE MOUNT<br>TOP ENTRY ON .100 GRID<br>MOLEX INCORPORATED | MATERIAL NO.<br>DOCUMENT NO.<br>SHEET NO. |
|   |  |  |                     |   |  |  |   |   |

|    |    |    |   |   |   |   |   |   |   |   |   |
|----|----|----|---|---|---|---|---|---|---|---|---|
| 12 | 11 | 10 | 9 | 8 | 7 | 6 | 5 | 4 | 3 | 2 | 1 |
|----|----|----|---|---|---|---|---|---|---|---|---|



Distributor of Molex Connector Corporation: Excellent Integrated System Limited

Datasheet of 0015453308 - Connector Receptacle 8 Position 0.100" (2.54mm) Gold Surface

Mount

13 12 11 10 9 8 7 6 5 4 3 2 1

Contact us: sales@integrated-circuit.com Website: www.integrated-circuit.com

| NO. OF CKTS. | TIN PLATING |       |            | 15 GOLD PLATING |            |              | 30 GOLD PLATING |              |              | DIM. "A"     |       | DIM. "B" |       |       |
|--------------|-------------|-------|------------|-----------------|------------|--------------|-----------------|--------------|--------------|--------------|-------|----------|-------|-------|
|              | PER ROW     | TOTAL | E.D.P. NO. | ENG. NO.        | E.D.P. NO. | ENG. NO.     | E.D.P. NO.      | ENG. NO.     | E.D.P. NO.   | ENG. NO.     | INCH  | MM       | INCH  | MM    |
| 7            | 14          | NA    | NA         | NA              | NA         | NA           | 71395-5114      | A-71395-5114 | PK-71395-001 | .600         | 15.24 | .699     | 17.75 |       |
| 8            | 16          | NA    | NA         | NA              | 71395-5016 | A-71395-5016 | PK-71395-001    | NA           | NA           | NA           | .700  | 17.78    | .799  | 20.29 |
| 10           | 20          | NA    | NA         | NA              | 71395-5020 | A-71395-5020 | PK-71395-001    | 71395-5120   | A-71395-5120 | PK-71395-001 | .900  | 22.86    | .999  | 25.37 |
| 20           | 40          | NA    | NA         | NA              | 71395-5040 | A-71395-5040 | PK-71395-001    | NA           | NA           | NA           | 1.900 | 48.26    | 1.999 | 50.77 |

PLATING:

TIN (3.75 MICROMETER)/150 MICROINCH MINIMUM TIN OVER  
(1.25 MICROMETER)/50 MICROINCH MINIMUM NICKEL OVERALL.

15 GOLD (0.37 MICROMETER)/15 MICROINCH MINIMUM SELECTIVE GOLD IN THE CONTACT AREA;  
(1.88 MICROMETER)/75 MICROINCH MINIMUM SELECTIVE TIN IN THE PC TAIL AREA OVER  
(1.25 MICROMETER)/50 MICROINCH MINIMUM NICKEL OVERALL.

30 GOLD (0.75 MICROMETER)/30 MICROINCH MINIMUM SELECTIVE GOLD IN THE CONTACT AREA;  
(1.88 MICROMETER)/75 MICROINCH MINIMUM SELECTIVE TIN IN THE PC TAIL AREA OVER  
(1.25 MICROMETER)/50 MICROINCH MINIMUM NICKEL OVERALL.

|  |  |   |                 |  |              |   |
|--|--|---|-----------------|--|--------------|---|
| ADD 71395-5040<br>EC NO: UCP2010-1001<br>2009/10/14<br>DRINKHIS BARRA<br>2009/12/01<br>CHKOJUMJAN<br>2009/12/01<br>APPR:SMILLER<br>2009/12/01<br>REV | QUALITY SYMBOLS  | GENERAL TOLERANCES (UNLESS SPECIFIED)   | DIMENSION STYLE | SCALE  | DESIGN UNITS | THIRD ANGLE PROJECTION  |
|  | $\nabla = 0$<br>$\nabla = 0.010$<br>$\nabla = 0.014$<br>$\nabla = 0.035$ | 4 PLACES ± --- ± ---<br>3 PLACES ± --- ± .010<br>2 PLACES ± 0.25 ± .014<br>1 PLACE ± 0.35 ± ---<br>ANGULAR ± 1/2°             | MM/IN           | 1:1  | METRIC       | DRAWN BY DATE<br>CHECKED BY DATE<br>RB 1985/12/03<br>APPROVED BY DATE |
|  |  | DRAFT WHERE APPLICABLE MUST REMAIN WITHIN DIMENSIONS  | SEE CHART       | MOLEX INCORPORATED<br>SDA-71395-1***<br>SHEET NO. 3 OF 3 |              |   |
|  |  | THIS DRAWING CONTAINS INFORMATION THAT IS PROPRIETARY TO MOLEX INCORPORATED AND SHOULD NOT BE USED WITHOUT WRITTEN PERMISSION |                 |  |              |   |

12 11 10 9 8 7 6 5 4 3 2 1



**Distributor of Molex Connector Corporation: Excellent Integrated System Limited**  
 Datasheet of 0015453308 - Connector Receptacle 8 Position 0.100" (2.54mm) Gold Surface Mount

Contact us: sales@integrated-circuit.com Website: www.integrated-circuit.com

| J | NO. OF CKTS. |       | TIN PLATING |               |                | 15 GOLD PLATING |               |                | 30 GOLD PLATING |               |                | DIM. "A" |       | DIM. "B" |        | J |
|---|--------------|-------|-------------|---------------|----------------|-----------------|---------------|----------------|-----------------|---------------|----------------|----------|-------|----------|--------|---|
|   | PER ROW      | TOTAL | E.D.P. NO.  | ENG. NO.      | TRAY PACKAGING | E.D.P. NO.      | ENG. NO.      | TRAY PACKAGING | E.D.P. NO.      | ENG. NO.      | TRAY PACKAGING | INCH     | MM    | INCH     | MM     |   |
|   | 2            | 4     | NA          | AX-71395-1004 | PK-70873-0304  | NA              | AX-71395-1104 | PK-70873-0304  | NA              | AX-71395-1204 | PK-70873-0304  | .100     | 2.54  | .199     | 5.05   |   |
|   | 3            | 6     | 71395-1006  | A-71395-1006  | PK-70873-0304  | NA              | AX-71395-1106 | PK-70873-0304  | NA              | AX-71395-1206 | PK-70873-0304  | .200     | 5.08  | .299     | 7.59   |   |
|   | 4            | 8     | 15-45-3208  | A-71395-1008  | PK-70873-0304  | 15-45-3108      | A-71395-1108  | PK-70873-0304  | 15-45-3308      | A-71395-1208  | PK-70873-0304  | .300     | 7.62  | .399     | 10.13  |   |
| I | 5            | 10    | 15-45-3210  | A-71395-1010  | PK-70873-0304  | 15-45-3110      | A-71395-1110  | PK-70873-0304  | 15-45-3310      | A-71395-1210  | PK-70873-0304  | .400     | 10.16 | .499     | 12.67  |   |
|   | 6            | 12    | 15-45-3212  | A-71395-1012  | PK-70873-0304  | 15-45-3112      | A-71395-1112  | PK-70873-0304  | 15-45-3312      | A-71395-1212  | PK-70873-0304  | .500     | 12.70 | .599     | 15.21  |   |
|   | 7            | 14    | 15-45-3214  | A-71395-1014  | PK-70873-0304  | 15-45-3114      | A-71395-1114  | PK-70873-0304  | 15-45-3314      | A-71395-1214  | PK-70873-0304  | .600     | 15.24 | .699     | 17.75  |   |
|   | 8            | 16    | 15-45-3216  | A-71395-1016  | PK-70873-0304  | 15-45-3116      | A-71395-1116  | PK-70873-0304  | 15-45-3316      | A-71395-1216  | PK-70873-0304  | .700     | 17.78 | .799     | 20.29  |   |
|   | 9            | 18    | 15-45-3218  | A-71395-1018  | PK-70873-0304  | 15-45-3118      | A-71395-1118  | PK-70873-0304  | 15-45-3318      | A-71395-1218  | PK-70873-0304  | .800     | 20.32 | .899     | 22.83  |   |
|   | 10           | 20    | 15-45-3220  | A-71395-1020  | PK-70873-0304  | 15-45-3120      | A-71395-1120  | PK-70873-0304  | 15-45-3320      | A-71395-1220  | PK-70873-0304  | .900     | 22.86 | .999     | 25.37  |   |
| H | 11           | 22    | 15-45-3222  | A-71395-1022  | PK-70873-0304  | 15-45-3122      | A-71395-1122  | PK-70873-0304  | 15-45-3322      | A-71395-1222  | PK-70873-0304  | 1.000    | 25.40 | 1.099    | 27.91  |   |
|   | 12           | 24    | 15-45-3224  | A-71395-1024  | PK-70873-0304  | 15-45-3124      | A-71395-1124  | PK-70873-0304  | 15-45-3324      | A-71395-1224  | PK-70873-0304  | 1.100    | 27.94 | 1.199    | 30.45  |   |
|   | 13           | 26    | 15-45-3226  | A-71395-1026  | PK-70873-0304  | 15-45-3126      | A-71395-1126  | PK-70873-0304  | 15-45-3326      | A-71395-1226  | PK-70873-0304  | 1.200    | 30.48 | 1.299    | 32.99  |   |
|   | 14           | 28    | 15-45-3228  | A-71395-1028  | PK-70873-0304  | 15-45-3128      | A-71395-1128  | PK-70873-0304  | 15-45-3328      | A-71395-1228  | PK-70873-0304  | 1.300    | 33.02 | 1.399    | 35.53  |   |
|   | 15           | 30    | 15-45-3230  | A-71395-1030  | PK-70873-0304  | 15-45-3130      | A-71395-1130  | PK-70873-0304  | 15-45-3330      | A-71395-1230  | PK-70873-0304  | 1.400    | 35.56 | 1.499    | 38.07  |   |
|   | 16           | 32    | 15-45-3232  | A-71395-1032  | PK-70873-0304  | 15-45-3132      | A-71395-1132  | PK-70873-0304  | 15-45-3332      | A-71395-1232  | PK-70873-0304  | 1.500    | 38.10 | 1.599    | 40.61  |   |
|   | 17           | 34    | 15-45-3234  | A-71395-1034  | PK-70873-0304  | 15-45-3134      | A-71395-1134  | PK-70873-0304  | 15-45-3334      | A-71395-1234  | PK-70873-0304  | 1.600    | 40.64 | 1.699    | 43.15  |   |
| G | 18           | 36    | 15-45-3236  | A-71395-1036  | PK-70873-0304  | 15-45-3136      | A-71395-1136  | PK-70873-0304  | 15-45-3336      | A-71395-1236  | PK-70873-0304  | 1.700    | 43.18 | 1.799    | 45.69  |   |
|   | 19           | 38    | 15-45-3238  | A-71395-1038  | PK-70873-0304  | 15-45-3138      | A-71395-1138  | PK-70873-0304  | 15-45-3338      | A-71395-1238  | PK-70873-0304  | 1.800    | 45.72 | 1.899    | 48.23  |   |
|   | 20           | 40    | 15-45-3240  | A-71395-1040  | PK-70873-0304  | 15-45-3140      | A-71395-1140  | PK-70873-0304  | 15-45-3340      | A-71395-1240  | PK-70873-0304  | 1.900    | 48.26 | 1.999    | 50.77  |   |
|   | 21           | 42    | 15-45-3242  | A-71395-1042  | PK-70873-0304  | 15-45-3142      | A-71395-1142  | PK-70873-0304  | 15-45-3342      | A-71395-1242  | PK-70873-0304  | 2.000    | 50.80 | 2.099    | 53.31  |   |
|   | 22           | 44    | 15-45-3244  | A-71395-1044  | PK-70873-0304  | 15-45-3144      | A-71395-1144  | PK-70873-0304  | 15-45-3344      | A-71395-1244  | PK-70873-0304  | 2.100    | 53.34 | 2.199    | 55.85  |   |
|   | 23           | 46    | 15-45-3246  | A-71395-1046  | PK-70873-0304  | 15-45-3146      | A-71395-1146  | PK-70873-0304  | 15-45-3346      | A-71395-1246  | PK-70873-0304  | 2.200    | 55.88 | 2.299    | 58.39  |   |
| F | 24           | 48    | 15-45-3248  | A-71395-1048  | PK-70873-0304  | 15-45-3148      | A-71395-1148  | PK-70873-0304  | 15-45-3348      | A-71395-1248  | PK-70873-0304  | 2.300    | 58.42 | 2.399    | 60.93  |   |
|   | 25           | 50    | 15-45-3250  | A-71395-1050  | PK-70873-0304  | 15-45-3150      | A-71395-1150  | PK-70873-0304  | 15-45-3350      | A-71395-1250  | PK-70873-0304  | 2.400    | 60.96 | 2.499    | 63.47  |   |
|   | 26           | 52    | 15-45-3252  | A-71395-1052  | PK-70873-0304  | 15-45-3152      | A-71395-1152  | PK-70873-0304  | 15-45-3352      | A-71395-1252  | PK-70873-0304  | 2.500    | 63.50 | 2.599    | 66.01  |   |
|   | 27           | 54    | 15-45-3254  | A-71395-1054  | PK-70873-0304  | 15-45-3154      | A-71395-1154  | PK-70873-0304  | 15-45-3354      | A-71395-1254  | PK-70873-0304  | 2.600    | 66.04 | 2.699    | 68.55  |   |
|   | 28           | 56    | 15-45-3256  | A-71395-1056  | PK-70873-0304  | 15-45-3156      | A-71395-1156  | PK-70873-0304  | 15-45-3356      | A-71395-1256  | PK-70873-0304  | 2.700    | 68.58 | 2.799    | 71.09  |   |
|   | 29           | 58    | 15-45-3258  | A-71395-1058  | PK-70873-0304  | 15-45-3158      | A-71395-1158  | PK-70873-0304  | 15-45-3358      | A-71395-1258  | PK-70873-0304  | 2.800    | 71.12 | 2.899    | 73.63  |   |
|   | 30           | 60    | 15-45-3260  | A-71395-1060  | PK-70873-0304  | 15-45-3160      | A-71395-1160  | PK-70873-0304  | 15-45-3360      | A-71395-1260  | PK-70873-0304  | 2.900    | 73.66 | 2.999    | 76.17  |   |
| E | 31           | 62    | 15-45-3262  | A-71395-1062  | PK-70873-0304  | 15-45-3162      | A-71395-1162  | PK-70873-0304  | 15-45-3362      | A-71395-1262  | PK-70873-0304  | 3.000    | 76.20 | 3.099    | 78.71  |   |
|   | 32           | 64    | 15-45-3264  | A-71395-1064  | PK-70873-0304  | 15-45-3164      | A-71395-1164  | PK-70873-0304  | 15-45-3364      | A-71395-1264  | PK-70873-0304  | 3.100    | 78.74 | 3.199    | 81.25  |   |
|   | 33           | 66    | 15-45-3266  | A-71395-1066  | PK-70873-0304  | 15-45-3166      | A-71395-1166  | PK-70873-0304  | 15-45-3366      | A-71395-1266  | PK-70873-0304  | 3.200    | 81.28 | 3.299    | 83.79  |   |
|   | 34           | 68    | 15-45-3268  | A-71395-1068  | PK-70873-0304  | 15-45-3168      | A-71395-1168  | PK-70873-0304  | 15-45-3368      | A-71395-1268  | PK-70873-0304  | 3.300    | 83.82 | 3.399    | 86.33  |   |
|   | 35           | 70    | 15-45-3270  | A-71395-1070  | PK-70873-0304  | 15-45-3170      | A-71395-1170  | PK-70873-0304  | 15-45-3370      | A-71395-1270  | PK-70873-0304  | 3.400    | 86.36 | 3.499    | 88.87  |   |
|   | 36           | 72    | 15-45-3272  | A-71395-1072  | PK-70873-0304  | 15-45-3172      | A-71395-1172  | PK-70873-0304  | 15-45-3372      | A-71395-1272  | PK-70873-0304  | 3.500    | 88.90 | 3.599    | 91.41  |   |
|   | 37           | 74    | 15-45-3274  | A-71395-1074  | PK-70873-0304  | 15-45-3174      | A-71395-1174  | PK-70873-0304  | 15-45-3374      | A-71395-1274  | PK-70873-0304  | 3.600    | 91.44 | 3.699    | 93.95  |   |
|   | 38           | 76    | 15-45-3276  | A-71395-1076  | PK-70873-0304  | 15-45-3176      | A-71395-1176  | PK-70873-0304  | 15-45-3376      | A-71395-1276  | PK-70873-0304  | 3.700    | 93.98 | 3.799    | 96.49  |   |
|   | 39           | 78    | 15-45-3278  | A-71395-1078  | PK-70873-0304  | 15-45-3178      | A-71395-1178  | PK-70873-0304  | 15-45-3378      | A-71395-1278  | PK-70873-0304  | 3.800    | 96.52 | 3.899    | 99.03  |   |
|   | 40           | 80    | 15-45-3280  | A-71395-1080  | PK-70873-0304  | 15-45-3180      | A-71395-1180  | PK-70873-0304  | 15-45-3380      | A-71395-1280  | PK-70873-0304  | 3.900    | 99.06 | 3.999    | 101.57 |   |

|   |  |                               |  |  |  |                    |            |   |                        |
|---|--|-------------------------------|--|--|--|--------------------|------------|---|------------------------|
| PLATING:<br>TIN (3.75 MICROMETER)/50 MICROINCH MINIMUM TIN OVER<br>(1.25 MICROMETER)/50 MICROINCH MINIMUM NICKEL OVERALL.<br><br>15 GOLD (0.37 MICROMETER)/15 MICROINCH MINIMUM SELECTIVE GOLD IN THE CONTACT AREA;<br>(1.88 MICROMETER)/75 MICROINCH MINIMUM SELECTIVE TIN IN THE PC TAIL AREA OVER<br>(1.25 MICROMETER)/50 MICROINCH MINIMUM NICKEL OVERALL.<br><br>30 GOLD (0.75 MICROMETER)/30 MICROINCH MINIMUM SELECTIVE GOLD IN THE CONTACT AREA;<br>(1.88 MICROMETER)/75 MICROINCH MINIMUM SELECTIVE TIN IN THE PC TAIL AREA OVER<br>(1.25 MICROMETER)/50 MICROINCH MINIMUM NICKEL OVERALL. | ADD: 71395-1006<br>EC NO: UCE2007-2946<br>DR: WINDMORGAN 2007/06/19<br>CH: KUDRIS BARHA 2007/06/19<br>APPR: SMI LLER 2007/06/22<br>DESCRIPTION | QUALITY SYMBOLS<br>▽=0<br>▽=0 | GENERAL TOLERANCES (UNLESS SPECIFIED)  |  | DIMENSION STYLE MM/IN  |                    | SCALE 10:1 | DESIGN UNITS METRIC   | THIRD ANGLE PROJECTION |
|   |  |                               | 4 PLACES ±.010 ±.010<br>3 PLACES ±.010 ±.010<br>2 PLACES ±.025 ±.014<br>1 PLACE ±.035 ±.010<br>ANGULAR ±1/2° | DRAWN BY DATE<br>CHECKED BY DATE<br>APPROVED BY DATE | MATERIAL NO. SEE TABLE<br>DOCUMENT NO. SDA-71395-1***<br>SHEET NO. 2 | MOLEX INCORPORATED |            | THIS DRAWING CONTAINS INFORMATION THAT IS PROPRIETARY TO MOLEX INCORPORATED AND SHOULD NOT BE USED WITHOUT WRITTEN PERMISSION |                        |