



Distributor of Molex Connector Corporation: Excellent Integrated System Limited
Datasheet of 0015453608 - Connector Receptacle 8 Position 0.100" (2.54mm) Gold Surface
Mount

Contact us: sales@integrated-circuit.com Website: www.integrated-circuit.com

Excellent Integrated System Limited

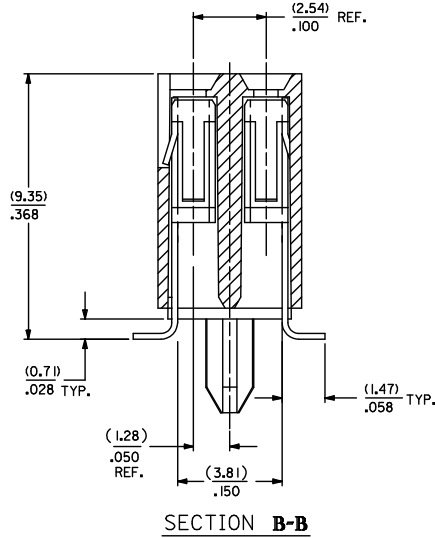
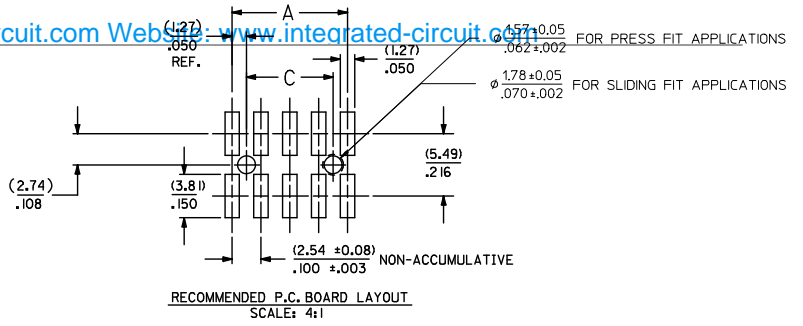
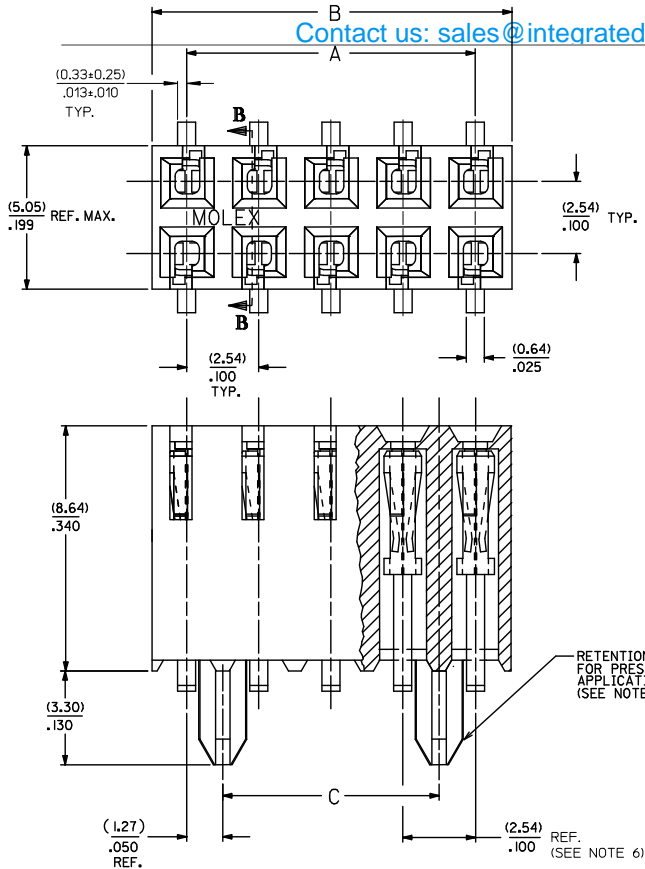
Stocking Distributor

Click to view price, real time Inventory, Delivery & Lifecycle Information:

[Molex Connector Corporation](#)
[0015453608](#)

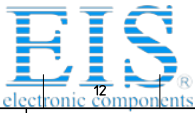
For any questions, you can email us directly:
sales@integrated-circuit.com

Contact us: sales@integrated-circuit.com Website: www.integrated-circuit.com



- NOTES:
- 1 - HOUSING MATERIAL: GLASS FILLED LIQUID CRYSTAL POLYMER; UL94-V0, COLOR: BLACK.
 - 2 - TERMINAL MATERIAL: PHOSPHOR BRONZE.
 - 3 - SEE SHEET 2 FOR CIRCUIT SIZES AND OVERALL DIMENSIONS.
 - 4 - SEE PRODUCT SPECIFICATION PS-71395 FOR PERFORMANCE CRITERIA.
 - 5 - STANDARD PACKAGING PER PK70873-0662 (TRAY PACK).
 - 6 - THE DESIGN OF THIS CONNECTOR ALLOWS THE TERMINAL SMT TAIL TO FLOAT (MOVE). BECAUSE OF THIS, THE (2.54)/.100 DIMENSION SHALL BE FOR REFERENCE ONLY.

| | | | | | | | | | |
|---|--------------------------------------|--|--|---|--|--|--------------|------------------------|--|
| ADD SLIDING FIT DIM. EC NO: UCP2019-5567 DRAWING NO: 2013/07/23 CHKDR/KJAIN 2013/07/23 APPR/S MILLER 2016/03/17 | QUALITY SYMBOLS ∇=0 ∇=0 ∇=0 | GENERAL TOLERANCES (UNLESS SPECIFIED) | | DIMENSION STYLE | | SCALE | DESIGN UNITS | THIRD ANGLE PROJECTION | |
| | | | | MM/IN | | 10:1 | INCH | | |
| | | | | DRAWN BY DATE | | TITLE | | | |
| | | | | CHECKED BY DATE | | CONNECTOR DUAL ROW VERTICAL SURFACE MOUNT TOP ENTRY ON .100 GRID | | | |
| | | APPROVED BY DATE | | MATERIAL NO. | | DOCUMENT NO. | | SHEET NO. | |
| | | SMILLER 2016/03/17 | | SEE TABLE | | SDA-71395-0*** | | 1 OF 2 | |
| | | DRAFT WHERE APPLICABLE MUST REMAIN WITHIN DIMENSIONS | | THIS DRAWING CONTAINS INFORMATION THAT IS PROPRIETARY TO MOLEX INCORPORATED AND SHOULD NOT BE USED WITHOUT WRITTEN PERMISSION | | | | | |



Distributor of Molex Connector Corporation: Excellent Integrated System Limited

Datasheet of 0015453608 - Connector Receptacle 8 Position 0.100" (2.54mm) Gold Surface Mount

| NO. OF CKTS. | | TIN PLATING | | | | 15 GOLD PLATING | | | | 30 GOLD PLATING | | | | | | |
|--------------|-------|-------------|--------------|--------------------|------------|-----------------|--------------------|------------|--------------|--------------------|------------|----------|--------------------|--------|-------|-------|
| PER ROW | TOTAL | E.D.P. NO. | ENG. NO. | STANDARD PACKAGING | E.D.P. NO. | ENG. NO. | STANDARD PACKAGING | E.D.P. NO. | ENG. NO. | STANDARD PACKAGING | E.D.P. NO. | ENG. NO. | STANDARD PACKAGING | | | |
| 4 | 8 | 15-45-3408 | A-71395-0008 | PK-70873-0662 | 15-45-3508 | A-71395-0108 | PK-70873-0662 | 15-45-3608 | A-71395-0208 | PK-70873-0662 | .300 | 7.62 | .399 | 10.13 | .200 | 5.08 |
| 5 | 10 | 15-45-3410 | A-71395-0010 | PK-70873-0662 | 15-45-3510 | A-71395-0110 | PK-70873-0662 | 15-45-3610 | A-71395-0210 | PK-70873-0662 | .400 | 10.16 | .499 | 12.67 | .300 | 7.62 |
| 6 | 12 | 15-45-3412 | A-71395-0012 | PK-70873-0662 | 15-45-3512 | A-71395-0112 | PK-70873-0662 | 15-45-3612 | A-71395-0212 | PK-70873-0662 | .500 | 12.70 | .599 | 15.21 | .400 | 10.16 |
| 7 | 14 | 15-45-3414 | A-71395-0014 | PK-70873-0662 | 15-45-3514 | A-71395-0114 | PK-70873-0662 | 15-45-3614 | A-71395-0214 | PK-70873-0662 | .600 | 15.24 | .699 | 17.75 | .500 | 12.70 |
| 8 | 16 | 15-45-3416 | A-71395-0016 | PK-70873-0662 | 15-45-3516 | A-71395-0116 | PK-70873-0662 | 15-45-3616 | A-71395-0216 | PK-70873-0662 | .700 | 17.78 | .799 | 20.29 | .600 | 15.24 |
| 9 | 18 | 15-45-3418 | A-71395-0018 | PK-70873-0662 | 15-45-3518 | A-71395-0118 | PK-70873-0662 | 15-45-3618 | A-71395-0218 | PK-70873-0662 | .800 | 20.32 | .899 | 22.83 | .700 | 17.78 |
| 10 | 20 | 15-45-3420 | A-71395-0020 | PK-70873-0662 | 15-45-3520 | A-71395-0120 | PK-70873-0662 | 15-45-3620 | A-71395-0220 | PK-70873-0662 | .900 | 22.86 | .999 | 25.37 | .800 | 20.32 |
| 11 | 22 | 15-45-3422 | A-71395-0022 | PK-70873-0662 | 15-45-3522 | A-71395-0122 | PK-70873-0662 | 15-45-3622 | A-71395-0222 | PK-70873-0662 | 1.000 | 25.40 | 1.099 | 27.91 | .900 | 22.86 |
| 12 | 24 | 15-45-3424 | A-71395-0024 | PK-70873-0662 | 15-45-3524 | A-71395-0124 | PK-70873-0662 | 15-45-3624 | A-71395-0224 | PK-70873-0662 | 1.100 | 27.94 | 1.199 | 30.45 | 1.000 | 25.40 |
| 13 | 26 | 15-45-3426 | A-71395-0026 | PK-70873-0662 | 15-45-3526 | A-71395-0126 | PK-70873-0662 | 15-45-3626 | A-71395-0226 | PK-70873-0662 | 1.200 | 30.48 | 1.299 | 32.99 | 1.100 | 27.94 |
| 14 | 28 | 15-45-3428 | A-71395-0028 | PK-70873-0662 | 15-45-3528 | A-71395-0128 | PK-70873-0662 | 15-45-3628 | A-71395-0228 | PK-70873-0662 | 1.300 | 33.02 | 1.399 | 35.53 | 1.200 | 30.48 |
| 15 | 30 | 15-45-3430 | A-71395-0030 | PK-70873-0662 | 15-45-3530 | A-71395-0130 | PK-70873-0662 | 15-45-3630 | A-71395-0230 | PK-70873-0662 | 1.400 | 35.56 | 1.499 | 38.07 | 1.300 | 33.02 |
| 16 | 32 | 15-45-3432 | A-71395-0032 | PK-70873-0662 | 15-45-3532 | A-71395-0132 | PK-70873-0662 | 15-45-3632 | A-71395-0232 | PK-70873-0662 | 1.500 | 38.10 | 1.599 | 40.61 | 1.400 | 35.56 |
| 17 | 34 | 15-45-3434 | A-71395-0034 | PK-70873-0662 | 15-45-3534 | A-71395-0134 | PK-70873-0662 | 15-45-3634 | A-71395-0234 | PK-70873-0662 | 1.600 | 40.64 | 1.699 | 43.15 | 1.500 | 38.10 |
| 18 | 36 | 15-45-3436 | A-71395-0036 | PK-70873-0662 | 15-45-3536 | A-71395-0136 | PK-70873-0662 | 15-45-3636 | A-71395-0236 | PK-70873-0662 | 1.700 | 43.18 | 1.799 | 45.69 | 1.600 | 40.64 |
| 19 | 38 | 15-45-3438 | A-71395-0038 | PK-70873-0662 | 15-45-3538 | A-71395-0138 | PK-70873-0662 | 15-45-3638 | A-71395-0238 | PK-70873-0662 | 1.800 | 45.72 | 1.899 | 48.23 | 1.700 | 43.18 |
| 20 | 40 | 15-45-3440 | A-71395-0040 | PK-70873-0662 | 15-45-3540 | A-71395-0140 | PK-70873-0662 | 15-45-3640 | A-71395-0240 | PK-70873-0662 | 1.900 | 48.26 | 1.999 | 50.77 | 1.800 | 45.72 |
| 21 | 42 | 15-45-3442 | A-71395-0042 | PK-70873-0662 | 15-45-3542 | A-71395-0142 | PK-70873-0662 | 15-45-3642 | A-71395-0242 | PK-70873-0662 | 2.000 | 50.80 | 2.099 | 53.31 | 1.900 | 48.26 |
| 22 | 44 | 15-45-3444 | A-71395-0044 | PK-70873-0662 | 15-45-3544 | A-71395-0144 | PK-70873-0662 | 15-45-3644 | A-71395-0244 | PK-70873-0662 | 2.100 | 53.34 | 2.199 | 55.85 | 2.000 | 50.80 |
| 23 | 46 | 15-45-3446 | A-71395-0046 | PK-70873-0662 | 15-45-3546 | A-71395-0146 | PK-70873-0662 | 15-45-3646 | A-71395-0246 | PK-70873-0662 | 2.200 | 55.88 | 2.299 | 58.39 | 2.100 | 53.34 |
| 24 | 48 | 15-45-3448 | A-71395-0048 | PK-70873-0662 | 15-45-3548 | A-71395-0148 | PK-70873-0662 | 15-45-3648 | A-71395-0248 | PK-70873-0662 | 2.300 | 58.42 | 2.399 | 60.93 | 2.200 | 55.88 |
| 25 | 50 | 15-45-3450 | A-71395-0050 | PK-70873-0662 | 15-45-3550 | A-71395-0150 | PK-70873-0662 | 15-45-3650 | A-71395-0250 | PK-70873-0662 | 2.400 | 60.96 | 2.499 | 63.47 | 2.300 | 58.42 |
| 26 | 52 | 15-45-3452 | A-71395-0052 | PK-70873-0662 | 15-45-3552 | A-71395-0152 | PK-70873-0662 | 15-45-3652 | A-71395-0252 | PK-70873-0662 | 2.500 | 63.50 | 2.599 | 66.01 | 2.400 | 60.96 |
| 27 | 54 | 15-45-3454 | A-71395-0054 | PK-70873-0662 | 15-45-3554 | A-71395-0154 | PK-70873-0662 | 15-45-3654 | A-71395-0254 | PK-70873-0662 | 2.600 | 66.04 | 2.699 | 68.55 | 2.500 | 63.50 |
| 28 | 56 | 15-45-3456 | A-71395-0056 | PK-70873-0662 | 15-45-3556 | A-71395-0156 | PK-70873-0662 | 15-45-3656 | A-71395-0256 | PK-70873-0662 | 2.700 | 68.58 | 2.799 | 71.09 | 2.600 | 66.04 |
| 29 | 58 | 15-45-3458 | A-71395-0058 | PK-70873-0662 | 15-45-3558 | A-71395-0158 | PK-70873-0662 | 15-45-3658 | A-71395-0258 | PK-70873-0662 | 2.800 | 71.12 | 2.899 | 73.63 | 2.700 | 68.58 |
| 30 | 60 | 15-45-3460 | A-71395-0060 | PK-70873-0662 | 15-45-3560 | A-71395-0160 | PK-70873-0662 | 15-45-3660 | A-71395-0260 | PK-70873-0662 | 2.900 | 73.66 | 2.999 | 76.17 | 2.800 | 71.12 |
| 31 | 62 | 15-45-3462 | A-71395-0062 | PK-70873-0662 | 15-45-3562 | A-71395-0162 | PK-70873-0662 | 15-45-3662 | A-71395-0262 | PK-70873-0662 | 3.000 | 76.20 | 3.099 | 78.71 | 2.900 | 73.66 |
| 32 | 64 | 15-45-3464 | A-71395-0064 | PK-70873-0662 | 15-45-3564 | A-71395-0164 | PK-70873-0662 | 15-45-3664 | A-71395-0264 | PK-70873-0662 | 3.100 | 78.74 | 3.199 | 81.25 | 3.000 | 76.20 |
| 33 | 66 | 15-45-3466 | A-71395-0066 | PK-70873-0662 | 15-45-3566 | A-71395-0166 | PK-70873-0662 | 15-45-3666 | A-71395-0266 | PK-70873-0662 | 3.200 | 81.28 | 3.299 | 83.79 | 3.100 | 78.74 |
| 34 | 68 | 15-45-3468 | A-71395-0068 | PK-70873-0662 | 15-45-3568 | A-71395-0168 | PK-70873-0662 | 15-45-3668 | A-71395-0268 | PK-70873-0662 | 3.300 | 83.82 | 3.399 | 86.33 | 3.200 | 81.28 |
| 35 | 70 | 15-45-3470 | A-71395-0070 | PK-70873-0662 | 15-45-3570 | A-71395-0170 | PK-70873-0662 | 15-45-3670 | A-71395-0270 | PK-70873-0662 | 3.400 | 86.36 | 3.499 | 88.87 | 3.300 | 83.82 |
| 36 | 72 | 15-45-3472 | A-71395-0072 | PK-70873-0662 | 15-45-3572 | A-71395-0172 | PK-70873-0662 | 15-45-3672 | A-71395-0272 | PK-70873-0662 | 3.500 | 88.90 | 3.599 | 91.41 | 3.400 | 86.36 |
| 37 | 74 | 15-45-3474 | A-71395-0074 | PK-70873-0662 | 15-45-3574 | A-71395-0174 | PK-70873-0662 | 15-45-3674 | A-71395-0274 | PK-70873-0662 | 3.600 | 91.44 | 3.699 | 93.95 | 3.500 | 88.90 |
| 38 | 76 | 15-45-3476 | A-71395-0076 | PK-70873-0662 | 15-45-3576 | A-71395-0176 | PK-70873-0662 | 15-45-3676 | A-71395-0276 | PK-70873-0662 | 3.700 | 93.98 | 3.799 | 96.49 | 3.600 | 91.44 |
| 39 | 78 | 15-45-3478 | A-71395-0078 | PK-70873-0662 | 15-45-3578 | A-71395-0178 | PK-70873-0662 | 15-45-3678 | A-71395-0278 | PK-70873-0662 | 3.800 | 96.52 | 3.899 | 99.03 | 3.700 | 93.98 |
| 40 | 80 | 15-45-3480 | A-71395-0080 | PK-70873-0662 | 15-45-3580 | A-71395-0180 | PK-70873-0662 | 15-45-3680 | A-71395-0280 | PK-70873-0662 | 3.900 | 99.06 | 3.999 | 101.57 | 3.800 | 96.52 |

PLATING:
 TIN (3.75 MICROMETER)/150 MICROINCH MINIMUM TIN OVER (1.25 MICROMETER)/50 MICROINCH MINIMUM NICKEL OVERALL.
 15 GOLD (0.37 MICROMETER)/15 MICROINCH MINIMUM SELECTIVE GOLD IN THE CONTACT AREA; (1.88 MICROMETER)/75 MICROINCH MINIMUM SELECTIVE TIN IN THE PC TAIL AREA OVER (1.25 MICROMETER)/50 MICROINCH MINIMUM NICKEL OVERALL.
 30 GOLD (0.75 MICROMETER)/30 MICROINCH MINIMUM SELECTIVE GOLD IN THE CONTACT AREA; (1.88 MICROMETER)/75 MICROINCH MINIMUM SELECTIVE TIN IN THE PC TAIL AREA OVER (1.25 MICROMETER)/50 MICROINCH MINIMUM NICKEL OVERALL.

*THE PRIMARY SHIPPING CARTON WILL BE LABELED "COMPLIANT TO RoHS DIRECTIVE 2002/95/EC AND ELV ANNEX II OF DIRECTIVE 2000/53/EC". CARTONS WITHOUT THIS LABEL MAY CONTAIN PRODUCT WITH LEAD.

- VERSION WITH PCB RETENTION PEGS -

| | | | | | | |
|--|--------------------------------------|---|-----------------|--|--------------|------------------------|
| SEE SHEET 1 EC NO: UCP2013-5567 2013/07/23 DRAWN BY: DMORGAN CHKD BY: MORGAN APPROV: MILLER 2016/03/17 | QUALITY SYMBOLS ▽=0 ▽=0 ▽=0 | GENERAL TOLERANCES (UNLESS SPECIFIED) | DIMENSION STYLE | SCALE | DESIGN UNITS | THIRD ANGLE PROJECTION |
| | | mm INCH | MM/IN | 1:1 | INCH | |
| | | 4 PLACES ± --- ± --- | DRAWN BY DATE | TITLE | | |
| | | 3 PLACES ± --- ± .010 | CHECKED BY DATE | CONNECTOR DUAL ROW VERTICAL SURFACE MOUNT TOP ENTRY ON .100 GRID | | |
| 2 PLACES ± 0.25 ± .014 | APPROVED BY DATE | molex | | | | |
| 1 PLACE ± 0.35 ± --- | MATERIAL NO. | DOCUMENT NO. | SHEET NO. | | | |
| 0 PLACE ± --- ± --- | ANGULAR ±1/2° | SEE TABLE | SDA-71395-0*** | | | |
| DRAFT WHERE APPLICABLE MUST REMAIN WITHIN DIMENSIONS | | THIS DRAWING CONTAINS INFORMATION THAT IS PROPRIETARY TO MOLEX INCORPORATED AND SHOULD NOT BE USED WITHOUT WRITTEN PERMISSION | | | | |

| | | | | | | | | | | | |
|----|----|----|---|---|---|---|---|---|---|---|---|
| 12 | 11 | 10 | 9 | 8 | 7 | 6 | 5 | 4 | 3 | 2 | 1 |
|----|----|----|---|---|---|---|---|---|---|---|---|



Distributor of Molex Connector Corporation: Excellent Integrated System Limited

Datasheet of 0015453608 - Connector Receptacle 8 Position 0.100" (2.54mm) Gold Surface Mount

Mount

Contact us: sales@integrated-circuit.com Website: www.integrated-circuit.com

| NO. OF KCTS. | | TIN PLATING | | | 15 GOLD PLATING | | | 30 GOLD PLATING | | | DIM. "A" | | DIM. "B" | | DIM. "C" | |
|--------------|-------|-------------|--------------|--------------------|-----------------|--------------|--------------------|-----------------|--------------|--------------------|----------|-------|----------|--------|----------|-------|
| PER ROW | TOTAL | E.D.P. NO. | ENG. NO. | STANDARD PACKAGING | E.D.P. NO. | ENG. NO. | STANDARD PACKAGING | E.D.P. NO. | ENG. NO. | STANDARD PACKAGING | INCH | MM | INCH | MM | INCH | MM |
| 4 | 8 | 15-45-3408 | A-71395-0008 | PK-70873-0662 | 15-45-3508 | A-71395-0108 | PK-70873-0662 | 15-45-3608 | A-71395-0208 | PK-70873-0662 | .300 | 7.62 | .399 | 10.13 | .200 | 5.08 |
| 5 | 10 | 15-45-3410 | A-71395-0010 | PK-70873-0662 | 15-45-3510 | A-71395-0110 | PK-70873-0662 | 15-45-3610 | A-71395-0210 | PK-70873-0662 | .400 | 10.16 | .499 | 12.67 | .300 | 7.62 |
| 6 | 12 | 15-45-3412 | A-71395-0012 | PK-70873-0662 | 15-45-3512 | A-71395-0112 | PK-70873-0662 | 15-45-3612 | A-71395-0212 | PK-70873-0662 | .500 | 12.70 | .599 | 15.21 | .400 | 10.16 |
| 7 | 14 | 15-45-3414 | A-71395-0014 | PK-70873-0662 | 15-45-3514 | A-71395-0114 | PK-70873-0662 | 15-45-3614 | A-71395-0214 | PK-70873-0662 | .600 | 15.24 | .699 | 17.75 | .500 | 12.70 |
| 8 | 16 | 15-45-3416 | A-71395-0016 | PK-70873-0662 | 15-45-3516 | A-71395-0116 | PK-70873-0662 | 15-45-3616 | A-71395-0216 | PK-70873-0662 | .700 | 17.78 | .799 | 20.29 | .600 | 15.24 |
| 9 | 18 | 15-45-3418 | A-71395-0018 | PK-70873-0662 | 15-45-3518 | A-71395-0118 | PK-70873-0662 | 15-45-3618 | A-71395-0218 | PK-70873-0662 | .800 | 20.32 | .899 | 22.83 | .700 | 17.78 |
| 10 | 20 | 15-45-3420 | A-71395-0020 | PK-70873-0662 | 15-45-3520 | A-71395-0120 | PK-70873-0662 | 15-45-3620 | A-71395-0220 | PK-70873-0662 | .900 | 22.86 | .999 | 25.37 | .800 | 20.32 |
| 11 | 22 | 15-45-3422 | A-71395-0022 | PK-70873-0662 | 15-45-3522 | A-71395-0122 | PK-70873-0662 | 15-45-3622 | A-71395-0222 | PK-70873-0662 | 1.000 | 25.40 | 1.099 | 27.91 | .900 | 22.86 |
| 12 | 24 | 15-45-3424 | A-71395-0024 | PK-70873-0662 | 15-45-3524 | A-71395-0124 | PK-70873-0662 | 15-45-3624 | A-71395-0224 | PK-70873-0662 | 1.100 | 27.94 | 1.199 | 30.45 | 1.000 | 25.40 |
| 13 | 26 | 15-45-3426 | A-71395-0026 | PK-70873-0662 | 15-45-3526 | A-71395-0126 | PK-70873-0662 | 15-45-3626 | A-71395-0226 | PK-70873-0662 | 1.200 | 30.48 | 1.299 | 32.99 | 1.100 | 27.94 |
| 14 | 28 | 15-45-3428 | A-71395-0028 | PK-70873-0662 | 15-45-3528 | A-71395-0128 | PK-70873-0662 | 15-45-3628 | A-71395-0228 | PK-70873-0662 | 1.300 | 33.02 | 1.399 | 35.53 | 1.200 | 30.48 |
| 15 | 30 | 15-45-3430 | A-71395-0030 | PK-70873-0662 | 15-45-3530 | A-71395-0130 | PK-70873-0662 | 15-45-3630 | A-71395-0230 | PK-70873-0662 | 1.400 | 35.56 | 1.499 | 38.07 | 1.300 | 33.02 |
| 16 | 32 | 15-45-3432 | A-71395-0032 | PK-70873-0662 | 15-45-3532 | A-71395-0132 | PK-70873-0662 | 15-45-3632 | A-71395-0232 | PK-70873-0662 | 1.500 | 38.10 | 1.599 | 40.61 | 1.400 | 35.56 |
| 17 | 34 | 15-45-3434 | A-71395-0034 | PK-70873-0662 | 15-45-3534 | A-71395-0134 | PK-70873-0662 | 15-45-3634 | A-71395-0234 | PK-70873-0662 | 1.600 | 40.64 | 1.699 | 43.15 | 1.500 | 38.10 |
| 18 | 36 | 15-45-3436 | A-71395-0036 | PK-70873-0662 | 15-45-3536 | A-71395-0136 | PK-70873-0662 | 15-45-3636 | A-71395-0236 | PK-70873-0662 | 1.700 | 43.18 | 1.799 | 45.69 | 1.600 | 40.64 |
| 19 | 38 | 15-45-3438 | A-71395-0038 | PK-70873-0662 | 15-45-3538 | A-71395-0138 | PK-70873-0662 | 15-45-3638 | A-71395-0238 | PK-70873-0662 | 1.800 | 45.72 | 1.899 | 48.23 | 1.700 | 43.18 |
| 20 | 40 | 15-45-3440 | A-71395-0040 | PK-70873-0662 | 15-45-3540 | A-71395-0140 | PK-70873-0662 | 15-45-3640 | A-71395-0240 | PK-70873-0662 | 1.900 | 48.26 | 1.999 | 50.77 | 1.800 | 45.72 |
| 21 | 42 | 15-45-3442 | A-71395-0042 | PK-70873-0662 | 15-45-3542 | A-71395-0142 | PK-70873-0662 | 15-45-3642 | A-71395-0242 | PK-70873-0662 | 2.000 | 50.80 | 2.099 | 53.31 | 1.900 | 48.26 |
| 22 | 44 | 15-45-3444 | A-71395-0044 | PK-70873-0662 | 15-45-3544 | A-71395-0144 | PK-70873-0662 | 15-45-3644 | A-71395-0244 | PK-70873-0662 | 2.100 | 53.34 | 2.199 | 55.85 | 2.000 | 50.80 |
| 23 | 46 | 15-45-3446 | A-71395-0046 | PK-70873-0662 | 15-45-3546 | A-71395-0146 | PK-70873-0662 | 15-45-3646 | A-71395-0246 | PK-70873-0662 | 2.200 | 55.88 | 2.299 | 58.39 | 2.100 | 53.34 |
| 24 | 48 | 15-45-3448 | A-71395-0048 | PK-70873-0662 | 15-45-3548 | A-71395-0148 | PK-70873-0662 | 15-45-3648 | A-71395-0248 | PK-70873-0662 | 2.300 | 58.42 | 2.399 | 60.93 | 2.200 | 55.88 |
| 25 | 50 | 15-45-3450 | A-71395-0050 | PK-70873-0662 | 15-45-3550 | A-71395-0150 | PK-70873-0662 | 15-45-3650 | A-71395-0250 | PK-70873-0662 | 2.400 | 60.96 | 2.499 | 63.47 | 2.300 | 58.42 |
| 26 | 52 | 15-45-3452 | A-71395-0052 | PK-70873-0662 | 15-45-3552 | A-71395-0152 | PK-70873-0662 | 15-45-3652 | A-71395-0252 | PK-70873-0662 | 2.500 | 63.50 | 2.599 | 66.01 | 2.400 | 60.96 |
| 27 | 54 | 15-45-3454 | A-71395-0054 | PK-70873-0662 | 15-45-3554 | A-71395-0154 | PK-70873-0662 | 15-45-3654 | A-71395-0254 | PK-70873-0662 | 2.600 | 66.04 | 2.699 | 68.55 | 2.500 | 63.50 |
| 28 | 56 | 15-45-3456 | A-71395-0056 | PK-70873-0662 | 15-45-3556 | A-71395-0156 | PK-70873-0662 | 15-45-3656 | A-71395-0256 | PK-70873-0662 | 2.700 | 68.58 | 2.799 | 71.09 | 2.600 | 66.04 |
| 29 | 58 | 15-45-3458 | A-71395-0058 | PK-70873-0662 | 15-45-3558 | A-71395-0158 | PK-70873-0662 | 15-45-3658 | A-71395-0258 | PK-70873-0662 | 2.800 | 71.12 | 2.899 | 73.63 | 2.700 | 68.58 |
| 30 | 60 | 15-45-3460 | A-71395-0060 | PK-70873-0662 | 15-45-3560 | A-71395-0160 | PK-70873-0662 | 15-45-3660 | A-71395-0260 | PK-70873-0662 | 2.900 | 73.66 | 2.999 | 76.17 | 2.800 | 71.12 |
| 31 | 62 | 15-45-3462 | A-71395-0062 | PK-70873-0662 | 15-45-3562 | A-71395-0162 | PK-70873-0662 | 15-45-3662 | A-71395-0262 | PK-70873-0662 | 3.000 | 76.20 | 3.099 | 78.71 | 2.900 | 73.66 |
| 32 | 64 | 15-45-3464 | A-71395-0064 | PK-70873-0662 | 15-45-3564 | A-71395-0164 | PK-70873-0662 | 15-45-3664 | A-71395-0264 | PK-70873-0662 | 3.100 | 78.74 | 3.199 | 81.25 | 3.000 | 76.20 |
| 33 | 66 | 15-45-3466 | A-71395-0066 | PK-70873-0662 | 15-45-3566 | A-71395-0166 | PK-70873-0662 | 15-45-3666 | A-71395-0266 | PK-70873-0662 | 3.200 | 81.28 | 3.299 | 83.79 | 3.100 | 78.74 |
| 34 | 68 | 15-45-3468 | A-71395-0068 | PK-70873-0662 | 15-45-3568 | A-71395-0168 | PK-70873-0662 | 15-45-3668 | A-71395-0268 | PK-70873-0662 | 3.300 | 83.82 | 3.399 | 86.33 | 3.200 | 81.28 |
| 35 | 70 | 15-45-3470 | A-71395-0070 | PK-70873-0662 | 15-45-3570 | A-71395-0170 | PK-70873-0662 | 15-45-3670 | A-71395-0270 | PK-70873-0662 | 3.400 | 86.36 | 3.499 | 88.87 | 3.300 | 83.82 |
| 36 | 72 | 15-45-3472 | A-71395-0072 | PK-70873-0662 | 15-45-3572 | A-71395-0172 | PK-70873-0662 | 15-45-3672 | A-71395-0272 | PK-70873-0662 | 3.500 | 88.90 | 3.599 | 91.41 | 3.400 | 86.36 |
| 37 | 74 | 15-45-3474 | A-71395-0074 | PK-70873-0662 | 15-45-3574 | A-71395-0174 | PK-70873-0662 | 15-45-3674 | A-71395-0274 | PK-70873-0662 | 3.600 | 91.44 | 3.699 | 93.95 | 3.500 | 88.90 |
| 38 | 76 | 15-45-3476 | A-71395-0076 | PK-70873-0662 | 15-45-3576 | A-71395-0176 | PK-70873-0662 | 15-45-3676 | A-71395-0276 | PK-70873-0662 | 3.700 | 93.98 | 3.799 | 96.49 | 3.600 | 91.44 |
| 39 | 78 | 15-45-3478 | A-71395-0078 | PK-70873-0662 | 15-45-3578 | A-71395-0178 | PK-70873-0662 | 15-45-3678 | A-71395-0278 | PK-70873-0662 | 3.800 | 96.52 | 3.899 | 99.03 | 3.700 | 93.98 |
| 40 | 80 | 15-45-3480 | A-71395-0080 | PK-70873-0662 | 15-45-3580 | A-71395-0180 | PK-70873-0662 | 15-45-3680 | A-71395-0280 | PK-70873-0662 | 3.900 | 99.06 | 3.999 | 101.57 | 3.800 | 96.52 |

PLATING:

- TIN (3.75 MICROMETER)/50 MICROINCH MINIMUM TIN OVER (1.25 MICROMETER)/50 MICROINCH MINIMUM NICKEL OVERALL.
- 15 GOLD (0.37 MICROMETER)/15 MICROINCH MINIMUM SELECTIVE GOLD IN THE CONTACT AREA; (1.88 MICROMETER)/75 MICROINCH MINIMUM SELECTIVE TIN IN THE PC TAIL AREA OVER (1.25 MICROMETER)/50 MICROINCH MINIMUM NICKEL OVERALL.
- 30 GOLD (0.75 MICROMETER)/30 MICROINCH MINIMUM SELECTIVE GOLD IN THE CONTACT AREA; (1.88 MICROMETER)/75 MICROINCH MINIMUM SELECTIVE TIN IN THE PC TAIL AREA OVER (1.25 MICROMETER)/50 MICROINCH MINIMUM NICKEL OVERALL.

*THE PRIMARY SHIPPING CARTON WILL BE LABELED "COMPLIANT TO RoHS DIRECTIVE 2002/95/EC AND ELV ANNEX II OF DIRECTIVE 2000/53/EC". CARTONS WITHOUT THIS LABEL MAY CONTAIN PRODUCT WITH LEAD.

- VERSION WITH PCB RETENTION PEGS -

| | | | | | |
|-------------|-------------|--|--|---|--|
| SEE SHEET I | | DIMENSIONS SHOWN (METRIC) INCH (UNLESS OTHERWISE SPECIFIED) DECIMALS INCH = 1/100" | | ▽ = 0 ▽ = 0 REVISE ONLY ON CAD SYSTEM | |
| J | SEE SHEET I | INCH METRIC | | TITLE | |
| H | SEE SHEET I | 1 PLACE ± --- --- | | CONNECTOR | |
| G | SEE SHEET I | 2 PLACE ± --- ± --- | | DUAL ROW VERTICAL SURFACE MOUNT | |
| E | SEE SHEET I | 3 PLACE ± --- ± --- | | TOP ENTRY ON .100 GRID | |
| B | SEE SHEET I | DRIFT WHERE APPLICABLE MUST REMAIN WITHIN DIMENSIONS | | MOLEX INCORPORATED SHEET NO. 2 DATE 12 / 18 / 85 | |
| A | SEE SHEET I | DRG. J L CHG. R B | | PART NO. SEE CHART DRG. NO. 0015453608-0 | |
| LTR. | REVISIONS | APPD. BY | | FILE NAME SGT1395X08 THIS DRAWING CONTAINS INFORMATION THAT IS PROPRIETARY TO MOLEX INC. AND SHOULD NOT BE USED WITHOUT WRITTEN PERMISSION. TFC | |

| | | | | | | | | | | | | |
|----|----|----|----|---|---|---|---|---|---|---|---|---|
| 13 | 12 | 11 | 10 | 9 | 8 | 7 | 6 | 5 | 4 | 3 | 2 | 1 |
|----|----|----|----|---|---|---|---|---|---|---|---|---|