



Distributor of Molex Connector Corporation: Excellent Integrated System Limited
Datasheet of 0015453636 - Connector Receptacle 36 Position 0.100" (2.54mm) Gold Surface
Mount

Contact us: sales@integrated-circuit.com Website: www.integrated-circuit.com

Excellent Integrated System Limited

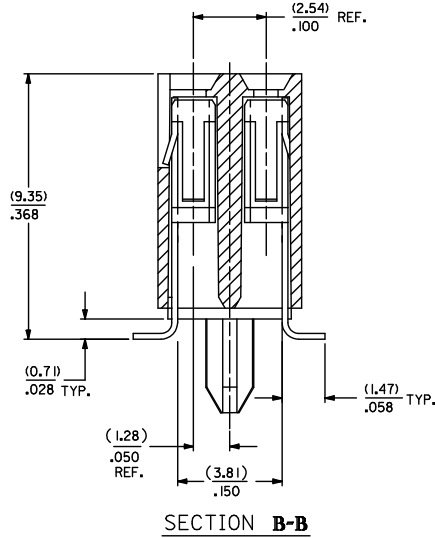
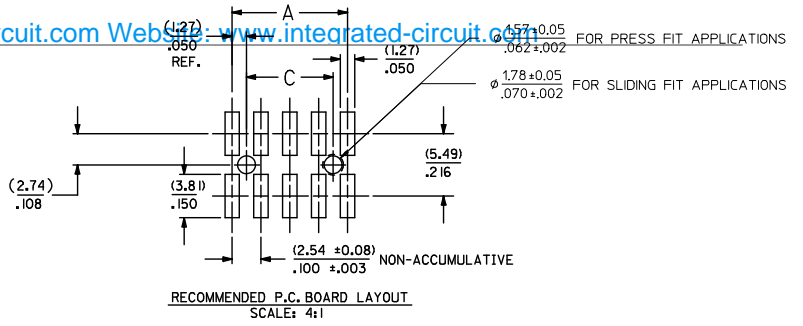
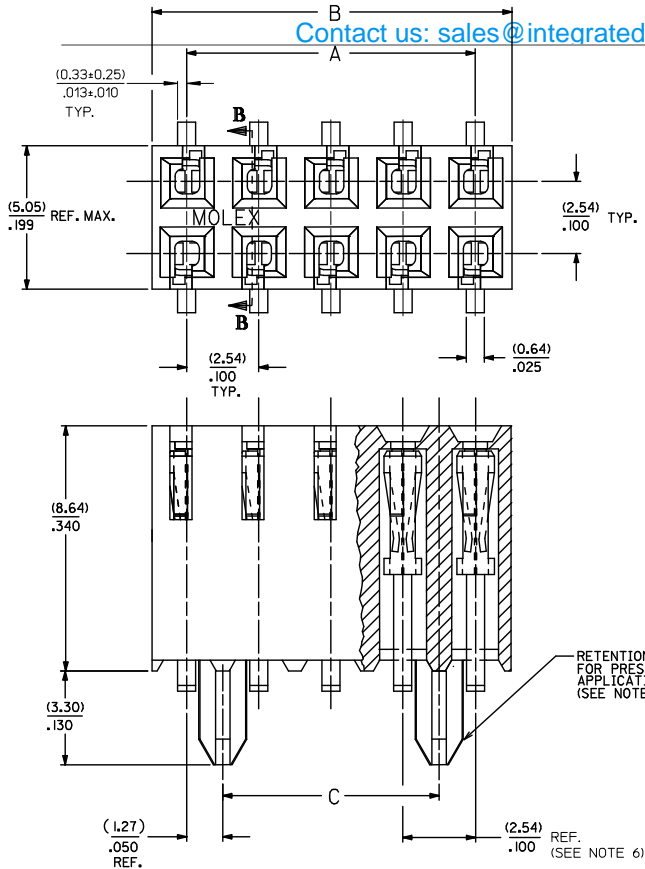
Stocking Distributor

Click to view price, real time Inventory, Delivery & Lifecycle Information:

[Molex Connector Corporation](#)
[0015453636](#)

For any questions, you can email us directly:
sales@integrated-circuit.com

Contact us: sales@integrated-circuit.com Website: www.integrated-circuit.com



- NOTES:
- HOUSING MATERIAL: GLASS FILLED LIQUID CRYSTAL POLYMER; UL94-V0; COLOR: BLACK.
 - TERMINAL MATERIAL: PHOSPHOR BRONZE.
 - SEE SHEET 2 FOR CIRCUIT SIZES AND OVERALL DIMENSIONS.
 - SEE PRODUCT SPECIFICATION PS-71395 FOR PERFORMANCE CRITERIA.
 - STANDARD PACKAGING PER PK70873-0662 (TRAY PACK).
 - THE DESIGN OF THIS CONNECTOR ALLOWS THE TERMINAL SMT TAIL TO FLOAT (MOVE). BECAUSE OF THIS, THE (2.54)/.100 DIMENSION SHALL BE FOR REFERENCE ONLY.

ADD SLIDING FIT DIM. EC NO: UCP2019-5567 DRAWN BY: DRWDMORGAN 2013/07/23 CHECKED BY: CHKDKRCAIN 2013/07/23 APPROVED BY: APPRSMILLER 2016/03/17	QUALITY SYMBOLS	GENERAL TOLERANCES (UNLESS SPECIFIED)	DIMENSION STYLE	SCALE	DESIGN UNITS	THIRD ANGLE PROJECTION
	▽=0	4 PLACES ± --- ± ---	MM/IN	10:1	INCH	☉
	▽=0	3 PLACES ± --- ± .010	DRAWN BY: DMORGAN 2013/07/23	DATE	TITLE	CONNECTOR DUAL ROW VERTICAL SURFACE MOUNT TOP ENTRY ON .100 GRID
	▽=0	2 PLACES ± 0.25 ± .014	CHECKED BY: RB 12/03/1985	DATE	APPROVED BY: SMILLER 2016/03/17	molex
		1 PLACE ± 0.35 ± ---				
		0 PLACE ± --- ± ---				
		ANGULAR ± 1/2°	MATERIAL NO.	DOCUMENT NO.	SHEET NO.	
		DRAFT WHERE APPLICABLE MUST REMAIN WITHIN DIMENSIONS	SEE TABLE	SDA-71395-0***	1 OF 2	
			THIS DRAWING CONTAINS INFORMATION THAT IS PROPRIETARY TO MOLEX INCORPORATED AND SHOULD NOT BE USED WITHOUT WRITTEN PERMISSION			



Distributor of Molex Connector Corporation: Excellent Integrated System Limited

Datasheet of 0015453636 - Connector Receptacle 36 Position 0.100" (2.54mm) Gold Surface

Mount

Table with columns: NO. OF CKTS., TIN PLATING, IS GOLD PLATING, 30 GOLD PLATING, DIM. 'A', DIM. 'B', DIM. 'C'. Rows 4-40.

PLATING:
TIN (3.75 MICROMETER)/150 MICROINCH MINIMUM TIN OVER
(1.25 MICROMETER)/50 MICROINCH MINIMUM NICKEL OVERALL.
IS GOLD (0.37 MICROMETER)/15 MICROINCH MINIMUM SELECTIVE GOLD IN THE CONTACT AREA;
(1.88 MICROMETER)/75 MICROINCH MINIMUM SELECTIVE TIN IN THE PC TAIL AREA OVER
(1.25 MICROMETER)/50 MICROINCH MINIMUM NICKEL OVERALL.
30 GOLD (0.75 MICROMETER)/30 MICROINCH MINIMUM SELECTIVE GOLD IN THE CONTACT AREA;
(1.88 MICROMETER)/75 MICROINCH MINIMUM SELECTIVE TIN IN THE PC TAIL AREA OVER
(1.25 MICROMETER)/50 MICROINCH MINIMUM NICKEL OVERALL.

*THE PRIMARY SHIPPING CARTON WILL BE LABELED 'COMPLIANT TO RoHS DIRECTIVE 2002/95/EC AND ELV ANNEX II OF DIRECTIVE 2000/53/EC'. CARTONS WITHOUT THIS LABEL MAY CONTAIN PRODUCT WITH LEAD.

- VERSION WITH PCB RETENTION PEGS -

Technical drawing area containing: SEE SHEET 1, QUALITY SYMBOLS, GENERAL TOLERANCES, DIMENSION STYLE, SCALE 1:1, DESIGN UNITS INCH, THIRD ANGLE PROJECTION, DRAWN BY DMORGAN, CHECKED BY RB, APPROVED BY SMILLER, MATERIAL NO. SEE TABLE, DOCUMENT NO. SDA-71395-0***, SHEET NO. 2 OF 2.



Distributor of Molex Connector Corporation: Excellent Integrated System Limited

Datasheet of 0015453636 - Connector Receptacle 36 Position 0.100" (2.54mm) Gold Surface Mount

Mount

Contact us: sales@integrated-circuit.com Website: www.integrated-circuit.com

Table with columns: NO. OF KCTS., TIN PLATING, 15 GOLD PLATING, 30 GOLD PLATING. Rows 4-40 listing part numbers and dimensions.

PLATING: TIN (3.75 MICROMETER)/50 MICROINCH MINIMUM TIN OVER (1.25 MICROMETER)/50 MICROINCH MINIMUM NICKEL OVERALL. 15 GOLD (0.37 MICROMETER)/15 MICROINCH MINIMUM SELECTIVE GOLD IN THE CONTACT AREA; (1.88 MICROMETER)/75 MICROINCH MINIMUM SELECTIVE TIN IN THE PC TAIL AREA OVER (1.25 MICROMETER)/50 MICROINCH MINIMUM NICKEL OVERALL. 30 GOLD (0.75 MICROMETER)/30 MICROINCH MINIMUM SELECTIVE GOLD IN THE CONTACT AREA; (1.88 MICROMETER)/75 MICROINCH MINIMUM SELECTIVE TIN IN THE PC TAIL AREA OVER (1.25 MICROMETER)/50 MICROINCH MINIMUM NICKEL OVERALL.

*THE PRIMARY SHIPPING CARTON WILL BE LABELED "COMPLIANT TO RoHS DIRECTIVE 2002/95/EC AND ELV ANNEX II OF DIRECTIVE 2000/53/EC". CARTONS WITHOUT THIS LABEL MAY CONTAIN PRODUCT WITH LEAD.

- VERSION WITH PCB RETENTION PEGS -

Technical drawing area containing a revision table, dimensions table, and title block with part number SEE CHART SDA-71395-0 and date 12/18/85.

Bottom row of the grid with columns numbered 13 to 1.