

## Excellent Integrated System Limited

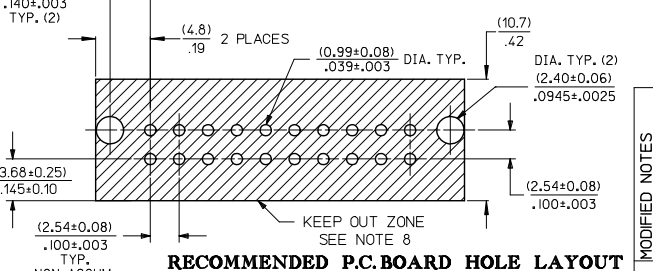
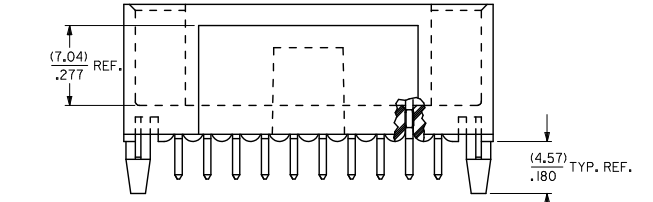
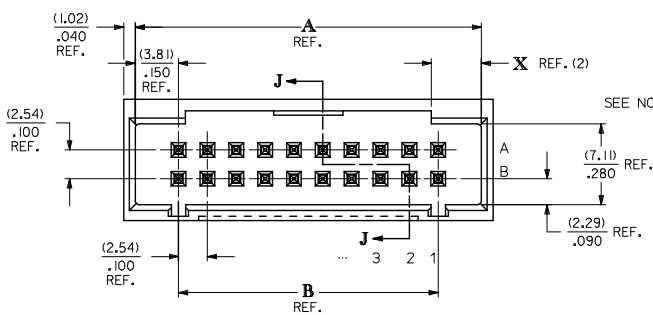
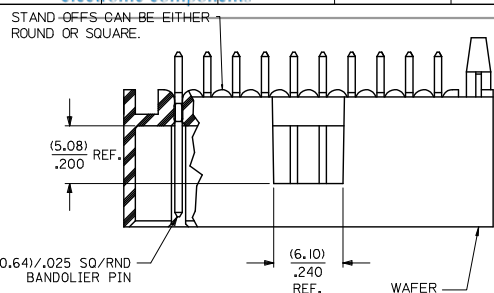
Stocking Distributor

Click to view price, real time Inventory, Delivery & Lifecycle Information:

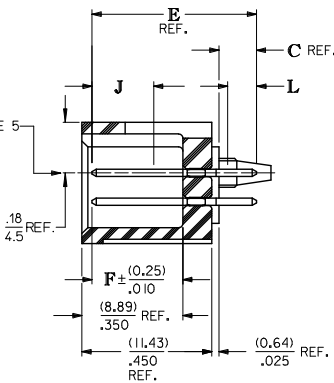
[Molex Connector Corporation](#)  
[0015477520](#)

For any questions, you can email us directly:

[sales@integrated-circuit.com](mailto:sales@integrated-circuit.com)



- NOTES:
1. MATERIAL: WAFER - GLASS FILLED LIQUID CRYSTAL POLYMER, UL 94V-0, COLOR: BLACK, PIN: COPPER ALLOY, TIN(S) ALLOY OVER ENTIRE PIN. THICKNESS = (3.81 MICROMETER)/ 150 MICRONCH MINIMUM, NICKEL (Ni) UNDERPLATE OVER ENTIRE PIN.
  2. PLATING: 15 GOLD SELECTIVE GOLD (Au) IN THE CONTACT AREA: THICKNESS = (0.38 MICROMETER)/ 15 MICRONCH MINIMUM, SELECTIVE TIN (Sn) ALLOY IN THE PC TAIL AREA: THICKNESS = (1.91 MICROMETER)/ 75 MICRONCH MINIMUM, NICKEL (Ni) UNDERPLATE OVER ENTIRE PIN. 30 GOLD SELECTIVE GOLD (Au) IN THE CONTACT AREA: THICKNESS = (0.76 MICROMETER)/ 30 MICRONCH MINIMUM, SELECTIVE TIN (Sn) ALLOY IN THE PC TAIL AREA: THICKNESS = (1.91 MICROMETER)/ 75 MICRONCH MINIMUM, NICKEL (Ni) UNDERPLATE OVER ENTIRE PIN. \* THE PRIMARY SHIPPING CARTON WILL BE LABELED "COMPLIANT TO R0HS DIRECTIVE 2002/95/EC AND ELV ANNEX II OF DIRECTIVE 2000/53/EC. CARTONS WITHOUT THIS LABEL MAY CONTAIN PRODUCT WITH LEAD.
  3. PRODUCT SPECIFICATION: PS-70567.
  4. PACKAGING: SEE CHARTS
  5. PIN PUSHOUT FORCE: 4 LS. MIN. IN DIRECTION INDICATED.
  6. FOR ILLUSTRATION PURPOSES, 20 (DUAL 10) CIRCUIT SIZE IS SHOWN.
  7. PINS MUST MEET SOLDERABILITY SPEC. SMES-152.
  8. EXCEPT Voids ARE PERMISSIBLE AT BANDOLIER PIN FAYING SURFACE. (APPROX. (0.64)/.025 LNX X (0.15)/.006 WD. REF.) - 2 LOCATIONS
  9. NO FEATURES WHICH RISE ABOVE THE PCB SURFACE ALLOWED IN THIS AREA.
  10. THIS PART CONFORMS TO CLASS B REQUIREMENTS OF COSMETIC SPEC PS-45499-002.



CKT. SIZE	DIM. A REF.		DIM. B REF.		DIM. X REF.	
	(MM)	INCH	(MM)	INCH	(MM)	INCH
6	(12.70)	.500	(5.08)	.200	(3.18)	.125
8	(15.24)	.600	(7.62)	.300	(4.42)	.174
10	(17.78)	.700	(10.16)	.400	(4.42)	.174
12	(20.32)	.800	(12.70)	.500	(4.42)	.174
14	(22.86)	.900	(15.24)	.600	(4.42)	.174
16	(25.40)	1.000	(17.78)	.700	(4.42)	.174
18	(27.94)	1.100	(20.32)	.800	(4.42)	.174
20	(30.48)	1.200	(22.86)	.900	(4.42)	.174
22	(33.02)	1.300	(25.40)	1.000	(4.42)	.174
24	(35.56)	1.400	(27.94)	1.100	(4.42)	.174
26	(38.10)	1.500	(30.48)	1.200	(4.42)	.174
28	(40.64)	1.600	(33.02)	1.300	(4.42)	.174
30	(43.18)	1.700	(35.56)	1.400	(4.42)	.174
32	(45.72)	1.800	(38.10)	1.500	(4.42)	.174
34	(48.26)	1.900	(40.64)	1.600	(4.42)	.174
36	(50.80)	2.000	(43.18)	1.700	(4.42)	.174
38	(53.34)	2.100	(45.72)	1.800	(4.42)	.174
40	(55.88)	2.200	(48.26)	1.900	(4.42)	.174
42	(58.42)	2.300	(50.80)	2.000	(4.42)	.174
44	(60.96)	2.400	(53.34)	2.100	(4.42)	.174
46	(63.50)	2.500	(55.88)	2.200	(4.42)	.174
48	(66.04)	2.600	(58.42)	2.300	(4.42)	.174
50	(68.58)	2.700	(60.96)	2.400	(4.42)	.174
52	(71.12)	2.800	(63.50)	2.500	(4.42)	.174
54	(73.66)	2.900	(66.04)	2.600	(4.42)	.174
56	(76.20)	3.000	(68.58)	2.700	(4.42)	.174
58	(78.74)	3.100	(71.12)	2.800	(4.42)	.174
60	(81.28)	3.200	(73.66)	2.900	(4.42)	.174
62	(83.82)	3.300	(76.20)	3.000	(4.42)	.174
64	(86.36)	3.400	(78.74)	3.100	(4.42)	.174
66	(88.90)	3.500	(81.28)	3.200	(4.42)	.174
68	(91.44)	3.600	(83.82)	3.300	(4.42)	.174
70	(93.98)	3.700	(86.36)	3.400	(4.42)	.174
72	(96.52)	3.800	(88.90)	3.500	(4.42)	.174

**MODIFIED NOTES**  
 EC NO: UCP/2009-0336  
 DRAWN: J. CLUSTE (E) 2008/09/23  
 CHKD: BELL 2008/09/24  
 APPR: SMITH 2008/09/25

**QUALITY SYMBOLS**  
 ▽=0  
 ▽=0

**GENERAL TOLERANCES (UNLESS SPECIFIED)**

	mm	INCH
4 PLACES ±	---	---
3 PLACES ±	---	±.005
2 PLACES ±	0.13	±.01
1 PLACE ±	0.25	±---

ANGULAR ±1/2°

**DRAFT WHERE APPLICABLE MUST REMAIN WITHIN DIMENSIONS**

**GENERAL TOLERANCES (UNLESS SPECIFIED)**

DIMENSION STYLE	SCALE	DESIGN UNITS	THIRD ANGLE PROJECTION
MM/IN	4:1	INCH	<input checked="" type="checkbox"/>

**DRAWN BY** SMR **DATE** 1993/11/10  
**CHECKED BY** SMR **DATE** 1993/11/10  
**APPROVED BY** \_\_\_\_\_ **DATE** \_\_\_\_\_

**MATERIAL NO.** SEE TABLE **DOCUMENT NO.** SDA-70568-\*\*\*\* **SHEET NO.** 1 OF 2

**SALES ASSY - DUAL ROW SHROUDED WAFER/HI TEMP .25SQ/RND PINS .100 GRID**

**MOLEX INCORPORATED**

THIS DRAWING CONTAINS INFORMATION THAT IS PROPRIETARY TO MOLEX INCORPORATED AND SHOULD NOT BE USED WITHOUT WRITTEN PERMISSION

