

Excellent Integrated System Limited

Stocking Distributor

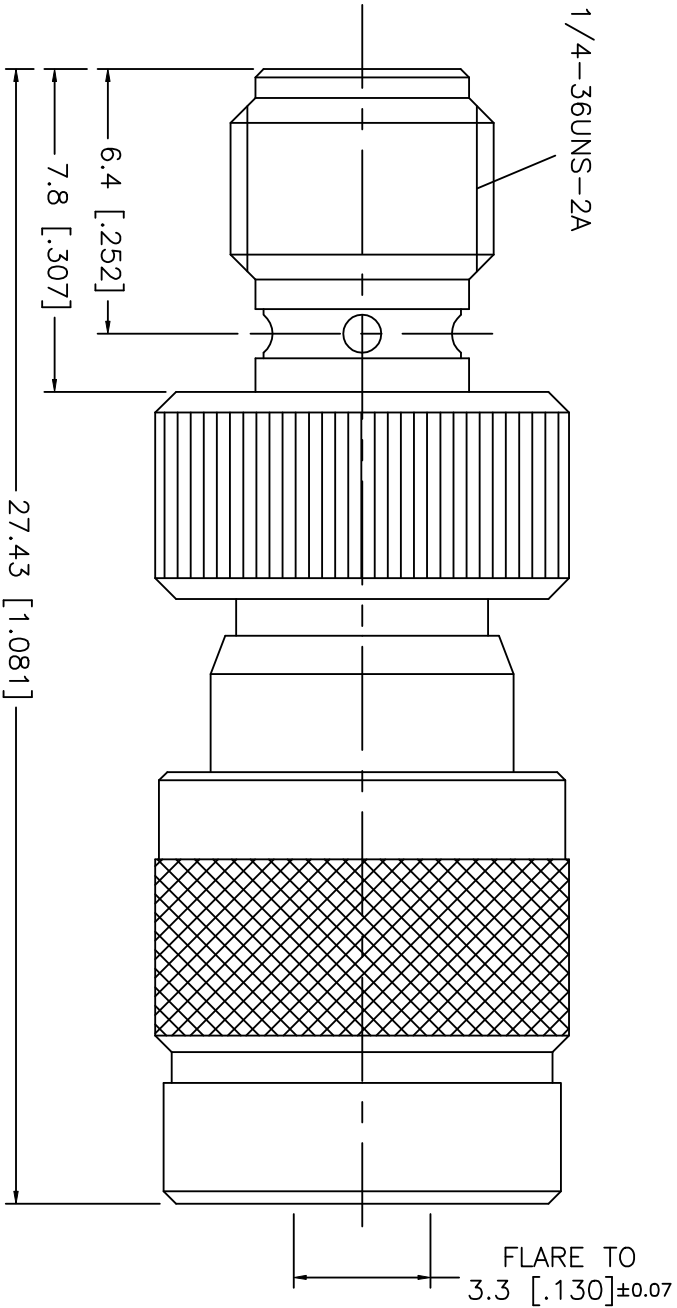
Click to view price, real time Inventory, Delivery & Lifecycle Information:

[Amphenol RF](#)
[242179](#)

For any questions, you can email us directly:

sales@integrated-circuit.com

REV.	DATE	DESCRIPTION
NC	02/19/02	INITIAL RELEASE



8	SHELL	BRASS	NICKEL	UNLESS OTHERWISE SPECIFIED DIMENSIONS ARE IN MILLIMETERS DIMENSIONS IN [] ARE IN INCHES FOR CUSTOMER REFERENCE ONLY	APPROVALS	DATE	<p>Amphenol - Connex CONNECTOR CORPORATION</p> <p>SMA JACK TO 1.0/2.3 PLUG ADAPTOR</p>	TITLE	SIZE	FSCM NO.	99001	DWG. NO.	242179.DWG	REV.	NC
7	SPRING	BER. COPPER	NATURAL												
6	BODY	BRASS	NICKEL												
5	CONTACT PIN	BER. COPPER	GOLD												
4	INSULATOR	TEFLON	NATURAL												
3	INSULATOR	TEFLON	NATURAL												
2	OUT CONTACT	PHOS. BRONZE	GOLD												
1	HOUSING	BRASS	GOLD												
DESCRIPTION				DO NOT SCALE DRAWING				<p>UNLESS OTHERWISE SPECIFIED TOLERANCES FOR MILLIMETERS ARE:</p> <p>0.5-6 = ± 0.2 6-30 = ± 0.4 30-120 = ± 0.6 120-315 = ± 1 315-1000 = ± 1.6 1000-2000 = ± 2.4</p>							
				DRAWN		G.R.S.		02/19/02		CHECKED		ISSUED			
				SCALE		NA		PART NO.		242179		SHEET		1 OF 1	