

Excellent Integrated System Limited

Stocking Distributor

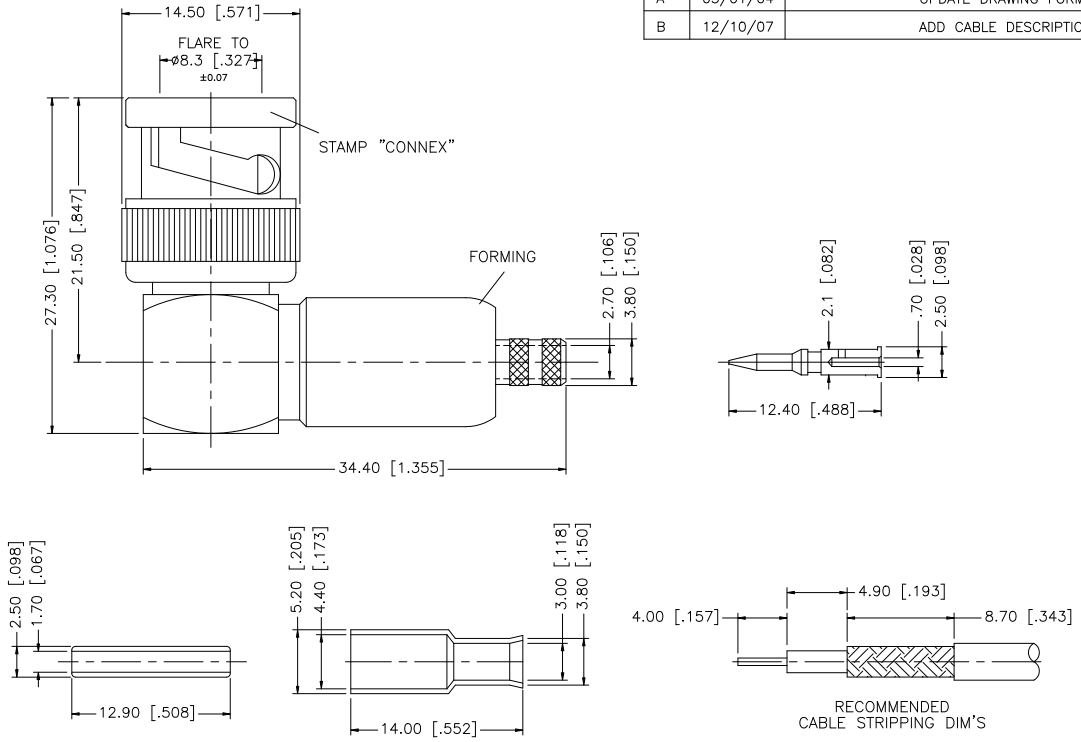
Click to view price, real time Inventory, Delivery & Lifecycle Information:

[Amphenol RF](#)
[112198](#)

For any questions, you can email us directly:

sales@integrated-circuit.com

REV.	DATE	DESCRIPTION
NC	07/15/02	INITIAL RELEASE
A	05/01/04	UPDATE DRAWING FORMAT
B	12/10/07	ADD CABLE DESCRIPTION



DESCRIPTION	MATERIAL	FINISH	QTY	DO NOT SCALE DRAWING	APPROVALS	DATE	<h1 style="color: blue; margin: 0;">Amphenol Connex</h1>
8				UNLESS OTHERWISE SPECIFIED DIMENSIONS ARE IN MILLIMETERS. DIMENSIONS IN [] ARE IN INCHES AND FOR CUSTOMER REFERENCE ONLY.			
7	FERRULE	BRASS	NICKEL	1	UNLESS OTHERWISE SPECIFIED TOLERANCES FOR MILLIMETERS ARE: 0.5 - 8mm ± 0.20mm 8 - 30mm ± 0.40mm 30 - 120mm ± 0.50mm	12/10/07	PART NO. 112198
6	SLEEVE	DELTRIN	NATURAL	1	UNLESS OTHERWISE SPECIFIED TOLERANCES FOR INCHES ARE: .020 - .315 = ± 0.007" .315 - 1.180 = ± 0.015" 1.180 - 4.724 = ± 0.020"		
5	CONTACT PIN	BRASS	GOLD	1			
4	CONTACT PIN	BRASS	GOLD	1			
3	CONTACT PIN	PHOS. BRONZE	GOLD	1			
2	INSULATOR	DELTRIN	NATURAL	1			
1	BODY	BRASS	NICKEL	1			
					CAD FILE	C:/112/112198.DWG	