

Excellent Integrated System Limited

Stocking Distributor

Click to view price, real time Inventory, Delivery & Lifecycle Information:

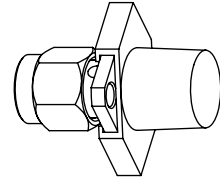
[Amphenol RF](#)
[132164](#)

For any questions, you can email us directly:
sales@integrated-circuit.com

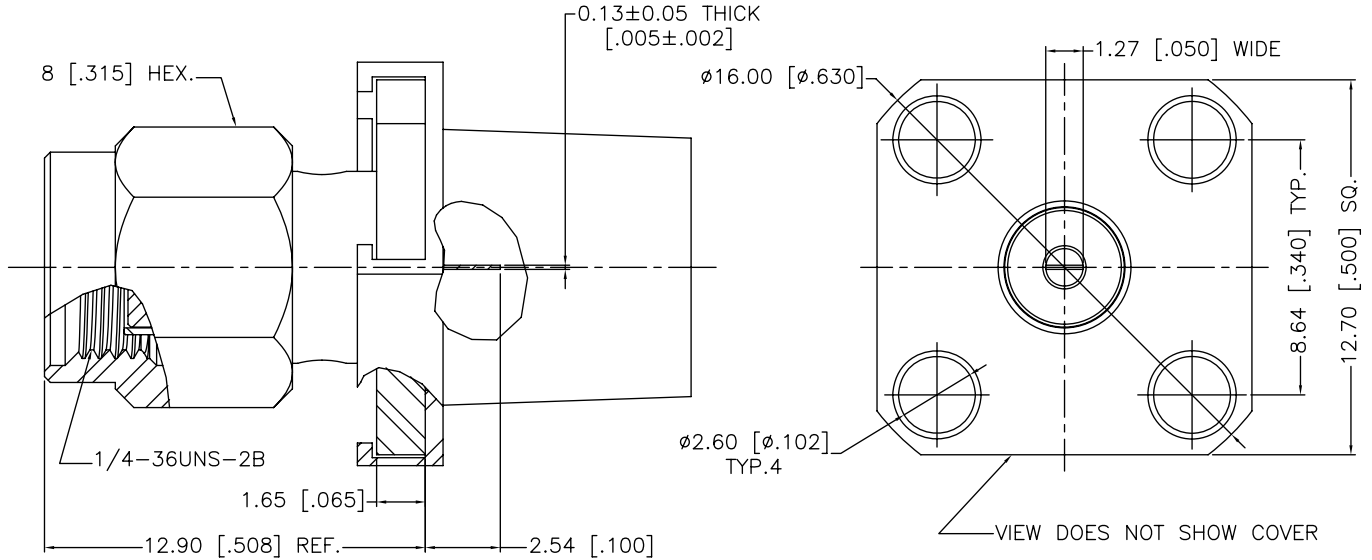
REV.	DATE	ECR NO.	DESCRIPTION
A	05/02/12	2309	UPDATE DRAWING FORMAT

NOTES:

1. IMPEDANCE: 50 OHM
2. FREQUENCY RANGE: 0-18 GHz.
3. DIELECTRIC WITHSTANDING VOLTAGE: 1000 VRMS. MIN.
4. DURABILITY:500 CYCLES MIN.
5. TEMPERATURE RANGE:-65°C TO +165°C



SCALE 0.300



VIEW DOES NOT SHOW COVER

UNLESS OTHERWISE SPECIFIED DIMENSIONS ARE IN MILLIMETERS. DIMENSIONS IN [] ARE IN INCHES AND FOR CUSTOMER REFERENCE ONLY.				APPROVALS	DATE	<h2 style="color: blue; margin: 0;">Amphenol Connex</h2>				
7	COVER	PE	NATURAL	1	DRAWN		S.LI	05/02/12		
6	GASKET	SILICON RUBBER	RED	1	CHECKED					
5	RETAINER RING	SUS 304	NATURAL	1	ISSUED					
4	CONTACT PIN	BERYLLIUM COPPER	GOLD	1	SHEET	1 OF 1				
3	INSULATOR	PTFE	NATURAL	1	PART DESCRIPTION SMA PANEL RECEPT. PLUG					
2	BODY	BRASS	GOLD	1	PART NO. 132164					
1	SHELL	BRASS	GOLD	1	DWG. NO. 132164.DWG <table style="float: right; border: none;"> <tr> <td>REV. A</td> <td>SIZE A</td> <td>SCALE NA</td> </tr> </table>			REV. A	SIZE A	SCALE NA
REV. A	SIZE A	SCALE NA								
	DESCRIPTION	MATERIAL	FINISH	QTY	CAD FILE F:\DWG\CONNEX\132164.DWG					

UNLESS OTHERWISE SPECIFIED TOLERANCES FOR MILLIMETERS ARE:
 0.5 - 8mm ± 0.20mm
 8 - 30mm ± 0.40mm
 30 - 120mm ± 0.50mm

UNLESS OTHERWISE SPECIFIED TOLERANCES FOR INCHES ARE:
 .020 - .315 = ± 0.007"
 .315 - 1.180 = ± 0.015"
 1.180 - 4.724 = ± 0.020"

DO NOT SCALE DRAWING