

Excellent Integrated System Limited

Stocking Distributor

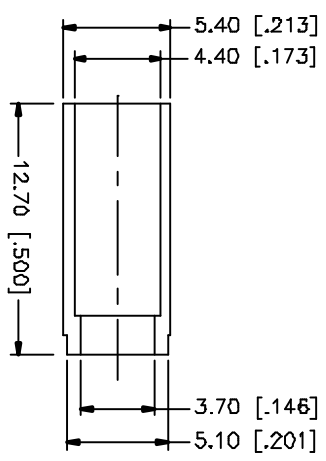
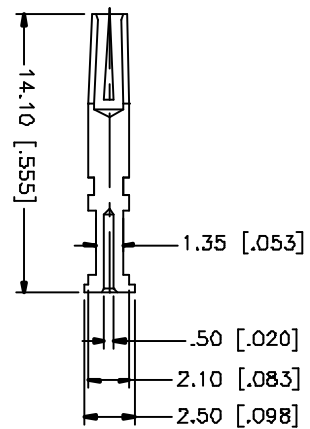
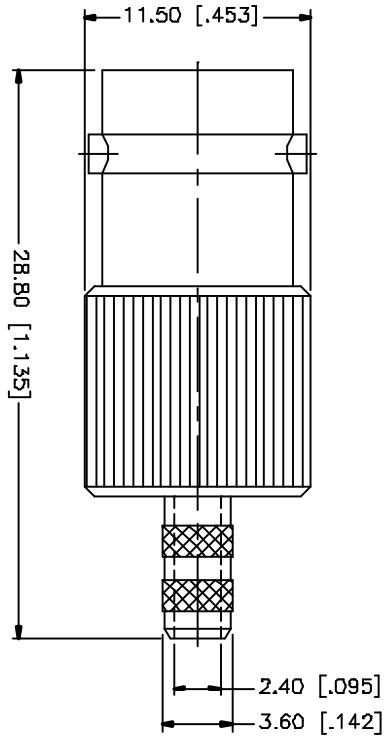
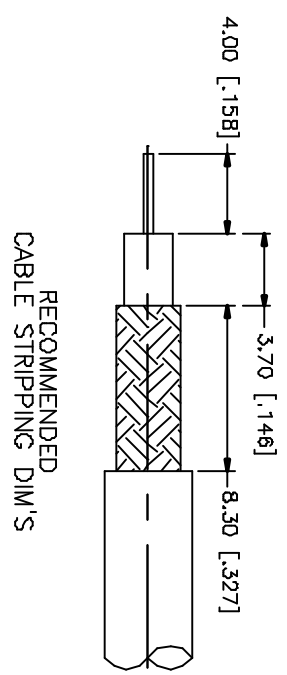
Click to view price, real time Inventory, Delivery & Lifecycle Information:

[Amphenol RF](#)
[112974](#)

For any questions, you can email us directly:

sales@integrated-circuit.com

REV.	DATE	DESCRIPTION
A	03/18/05	UPDATE DRAWING FORMAT



QTY	FINISH	MATERIAL	DESCRIPTION
1	NICKEL	BRASS	BODY
1	NATURAL	TEFLON	INSULATOR
1	GOLD	PHOS. BRONZE	CONTACT PIN
1	NICKEL	COPPER	FERRULE

APPROVALS	DATE
DRAWN: G.R.S.	03/18/05
CHECKED:	
ISSUED:	
SHEET: 1 OF 1	

PART NO.	DWG. NO.	REV.	SIZE	SCALE
112974	112974.DWG	A	A	N/A

Amphenol Connex

BNC CRIMP JACK
(FOR AT&T 735A - 75ohm)

UNLESS OTHERWISE SPECIFIED DIMENSIONS ARE IN MILLIMETERS. DIMENSIONS IN INCHES ARE NOT TO BE USED FOR FABRICATING PURPOSES. TOLERANCES FOR MILLIMETER ARE:
 0.15 - 30mm ± 0.20mm
 30 - 120mm ± 0.30mm
 UNLESS OTHERWISE SPECIFIED DIMENSIONS ARE IN MILLIMETERS. DIMENSIONS IN INCHES ARE NOT TO BE USED FOR FABRICATING PURPOSES. TOLERANCES FOR MILLIMETER ARE:
 0.15 - 30mm ± 0.20mm
 30 - 120mm ± 0.30mm
 UNLESS OTHERWISE SPECIFIED DIMENSIONS ARE IN MILLIMETERS. DIMENSIONS IN INCHES ARE NOT TO BE USED FOR FABRICATING PURPOSES. TOLERANCES FOR MILLIMETER ARE:
 .020 - .315 = ± 0.007"
 .315 - 1.180 = ± 0.015"
 1.180 - 4.724 = ± 0.020"

DO NOT SCALE DRAWING

CAD FILE: C:/112/112974.DWG