

Excellent Integrated System Limited

Stocking Distributor

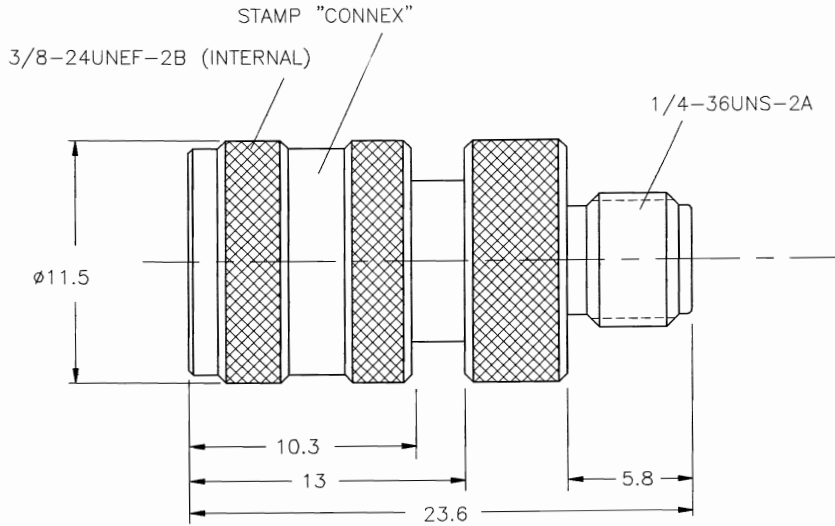
Click to view price, real time Inventory, Delivery & Lifecycle Information:

[Amphenol RF](#)
[242117](#)

For any questions, you can email us directly:

sales@integrated-circuit.com

REV.	DATE	DESCRIPTION
NC	1/8/97	INITIAL RELEASE



DESCRIPTION	MATERIAL	FINISH	DIMENSIONS ARE IN MILLIMETERS UNLESS OTHERWISE SPECIFIED TOLERANCES ARE:	APPROVALS	DATE				
1 BODY	BRASS	NICKEL		0.5-6 = ± 0.2	DRAWN G.R.S.				
2 CONTACT PIN	PHOS. BRONZE	GOLD	6-30 = ± 0.4	CHECKED		SCALE 4:1 PART NO. 242117 SHEET 1 OF 1			
3 INSULATOR	TEFLON	NATURAL	30-120 = ± 0.6	ISSUED					
4			120-315 = ± 1						
5			315-1000 = ± 1.6						
6			1000-2000 = ± 2.4						
7			DO NOT SCALE DRAWING						
8									