

Excellent Integrated System Limited

Stocking Distributor

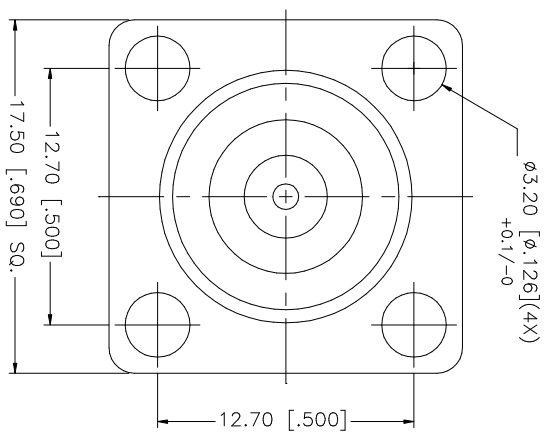
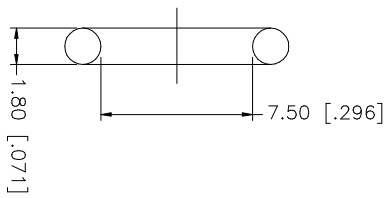
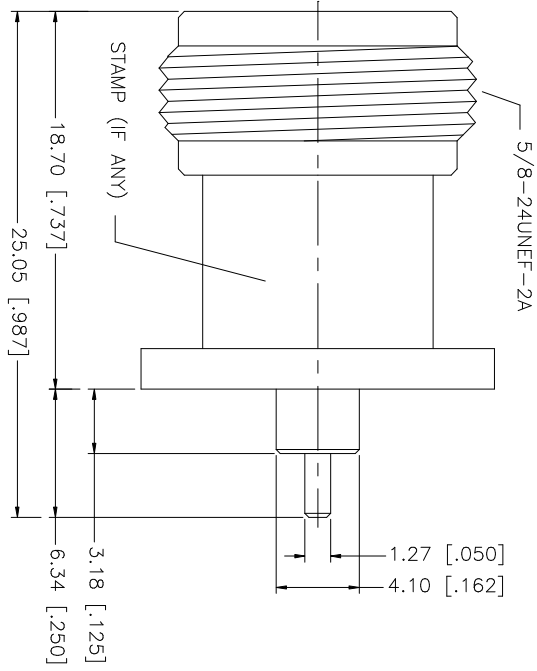
Click to view price, real time Inventory, Delivery & Lifecycle Information:

[Amphenol RF](#)
[172117-30](#)

For any questions, you can email us directly:

sales@integrated-circuit.com

REV.	DATE	DESCRIPTION
NC	10/30/05	UPDATE DRAWING FORMAT



NO.	DESCRIPTION	MATERIAL	FINISH	QTY	DO NOT SCALE DRAWING
8					
7					
6					
5					
4	GASKET	SILICONE	RED	1	
3	CONTACT PIN	PHOS. BRONZE	GOLD	1	
2	INSULATOR	TEFLON	NATURAL	1	
1	BODY	BRASS	NEXCOITE	1	
	DESCRIPTION	MATERIAL	FINISH	QTY	DO NOT SCALE DRAWING

UNLESS OTHERWISE SPECIFIED DIMENSIONS ARE IN INCHES AND FOR CUSTOMER REFERENCE ONLY.	UNLESS OTHERWISE SPECIFIED DIMENSIONS ARE IN MILLIMETERS.
TOLERANCES FOR MILLIMETERS ARE:	TOLERANCES FOR INCHES ARE:
0.5 - .8mm ± 0.20mm	.020 - .315 = ± 0.0075"
.8 - .30mm ± 0.40mm	.315 - 1.180 = ± 0.015"
30 - 120mm ± 0.50mm	1.180 - 4.724 = ± 0.020"

APPROVALS	DATE
DRAWN G.R.S.	10/30/05
CHECKED	
ISSUED	
SHEET 1 OF 1	

CAD FILE	DWG. NO.	REV.	SIZE	SCALE
C:/172/172117-30.DWG	172117-30.DWG	NC	A	NA

PART DESCRIPTION	PART NO.
N PANEL RECEPTACLE EXTENDED TEFLON (.125/.250)	172117-30

