

## Excellent Integrated System Limited

Stocking Distributor

Click to view price, real time Inventory, Delivery & Lifecycle Information:

[EPCOS \(TDK\)](#)  
[B85321A6304B201](#)

For any questions, you can email us directly:  
[sales@integrated-circuit.com](mailto:sales@integrated-circuit.com)



Electronic Parts and Components

**Feedthrough Filter B85321-A6304-B201**

**FEATURES:**

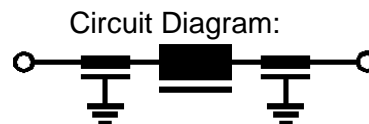
Metallized (selfhealing) film capacitors. High insertion loss up to the GHz range.  
 Metal case, resin sealed, plastic insulating bush.

**RATINGS AND CHARACTERISTICS:**

Rated Capacitance	2 x 0,15 $\mu$ F
Capacitance Tolerance	$\pm$ 20%
Rated Voltage	600 VAC / 750 VDC
Rated Current ( $T_{amb.60^{\circ}C}$ )	200 A
Test Voltage (Terminal-Case)	4000 VDC / 2s
Climatic Category	40/085/56
Approx.Weight	750 g
Mounting Thread	M32 x 1,5
Terminal Thread	M10

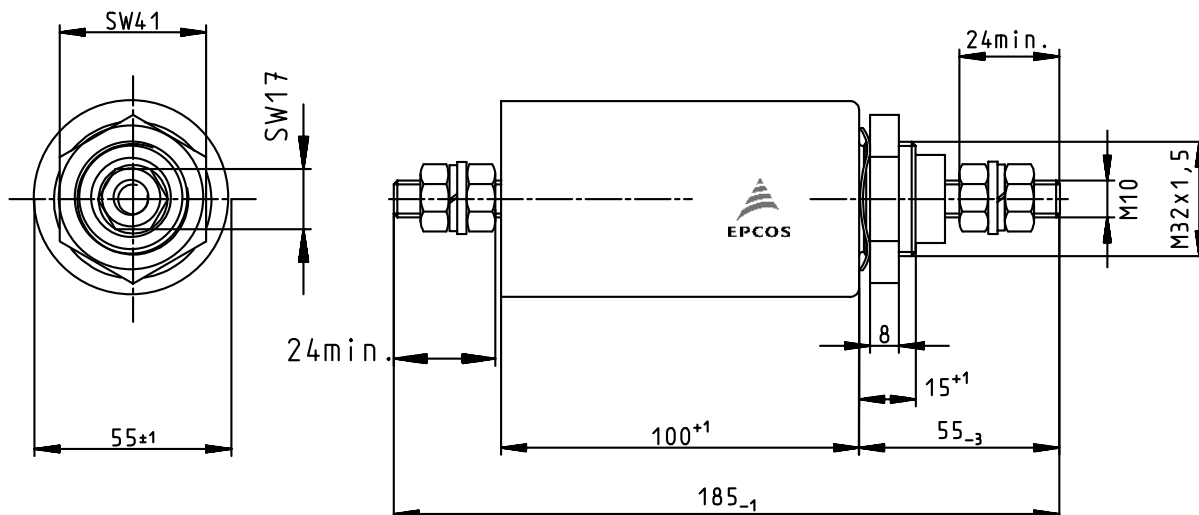
**TYPICAL INSERTION LOSS (50 $\Omega$ ):**

f	10	100	1	10	100	1
	kHz	kHz	MHz	MHz	MHz	GHz
dB	1	10	50	90	100	100



**MATERIAL:**

Metal case, nickel plated. UL-listed material for resin and plastic insulating bush.  
 Terminals, nuts and washers are nickel- or tin plated.



**Published by EPCOS AG**

**Corporate Communications, P.O. Box 80 17 09, 81617 Munich, GERMANY**

**☎ ++49 89 636 09, FAX (0 89) 636-2 26 89**

© EPCOS AG 2002. Reproduction, publication and dissemination of this brochure and the information contained therein without EPCOS' prior express consent is prohibited.

Purchase orders are subject to the General Conditions for the Supply of Products and Services of the Electrical and Electronics Industry recommended by the ZVEI (German Electrical and Electronic Manufacturers' Association), unless otherwise agreed.

This brochure replaces the previous edition.

For questions on technology, prices and delivery please contact the Sales Offices of EPCOS AG or the international Representatives.

Due to technical requirements components may contain dangerous substances. For information on the type in question please also contact one of our Sales Offices.