

Excellent Integrated System Limited

Stocking Distributor

Click to view price, real time Inventory, Delivery & Lifecycle Information:

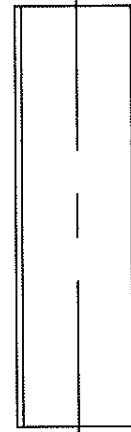
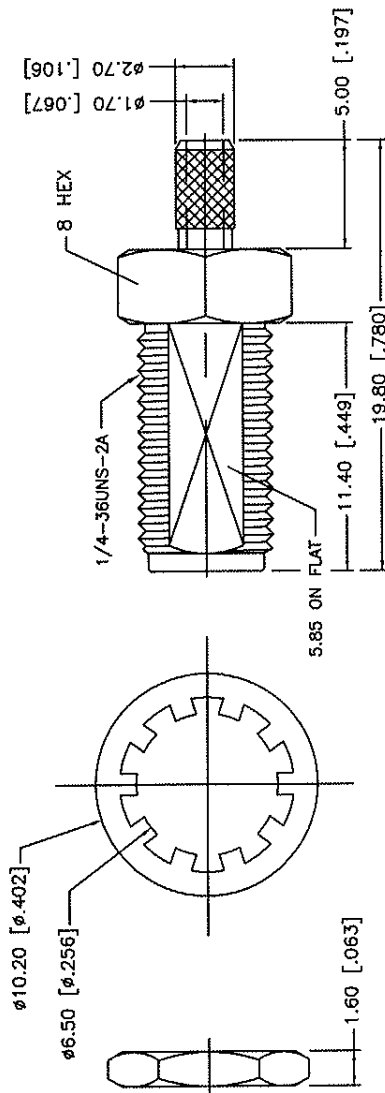
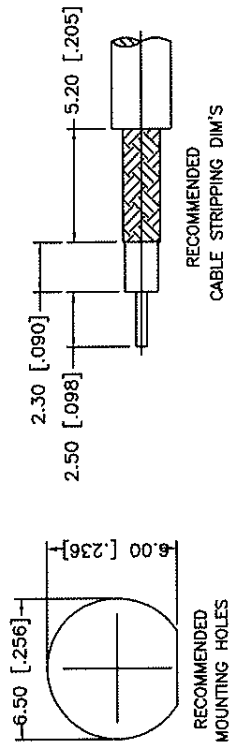
[Amphenol RF](#)
[132176RP](#)

For any questions, you can email us directly:

sales@integrated-circuit.com



REV.	DATE	ECR NO.	DESCRIPTION
A	04/27/99	-	MODIFY FERRULE/ ADD NOTES 1 AND 2
B	09/29/04	-	MODIFY FERRULE AND CRIMP NOTES
C	09/17/08	-	ADD FLAT TO BODY/ REVISE FERRULE DIMENSIONS/ ADD NOTE 3 REVISE CABLE DESCRIPTION TO 316/U DB CABLE



NOTE:
 1. CRIMPED FERRULE HEX CRIMP SIZE .151" [3.83]
 2. CONTACT PIN TO SOLDER.
 3. MAX. PANEL THICKNESS OF 3.20 [1.26"]

APPROVALS		DATE
DRAWN	GRS	09/17/08
CHECKED		
ISSUED		
SHEET	1 OF 1	
CAD FILE C:/132/132176RP.DWG		

UNLESS OTHERWISE SPECIFIED, DIMENSIONS ARE IN INCHES AND FOR CUSTOMER REFERENCE ONLY.	
TOLERANCES FOR DIMENSIONS:	
0.5 - 8mm ± 0.20mm	
8 - 30mm ± 0.40mm	
30 - 120mm ± 0.50mm	
UNLESS OTHERWISE SPECIFIED, TOLERANCES FOR INCHES ARE:	
.020 - .315 = ± 0.007"	
.315 - 1.180 = ± 0.015"	
1.180 - 4.724 = ± 0.020"	

DESCRIPTION	MATERIAL	FINISH	QTY
8 HEAT SHRINK TUBING	BLK	A/R	
7 FERRULE	COPPER	GOLD	1
6 HEX NUT	BRASS	GOLD	1
5 LOCK WASHER	BRASS	GOLD	1
4 CONTACT PIN	BRASS	GOLD	1
3 INSULATOR	PITE	NATURAL	1
2 BODY	BRASS	GOLD	1
DESCRIPTION	MATERIAL	FINISH	QTY

REV.	NC	SIZE	A	SCALE	NA
132176RP					

REV.	NC	SIZE	A	SCALE	NA
132176RP.DWG					

Amphenol Connex

PART DESCRIPTION
**SMA REVERSE POLARITY BULKHEAD
 CRIMP JACK (FOR 316/U DOUBLE BRAID CABLE)**

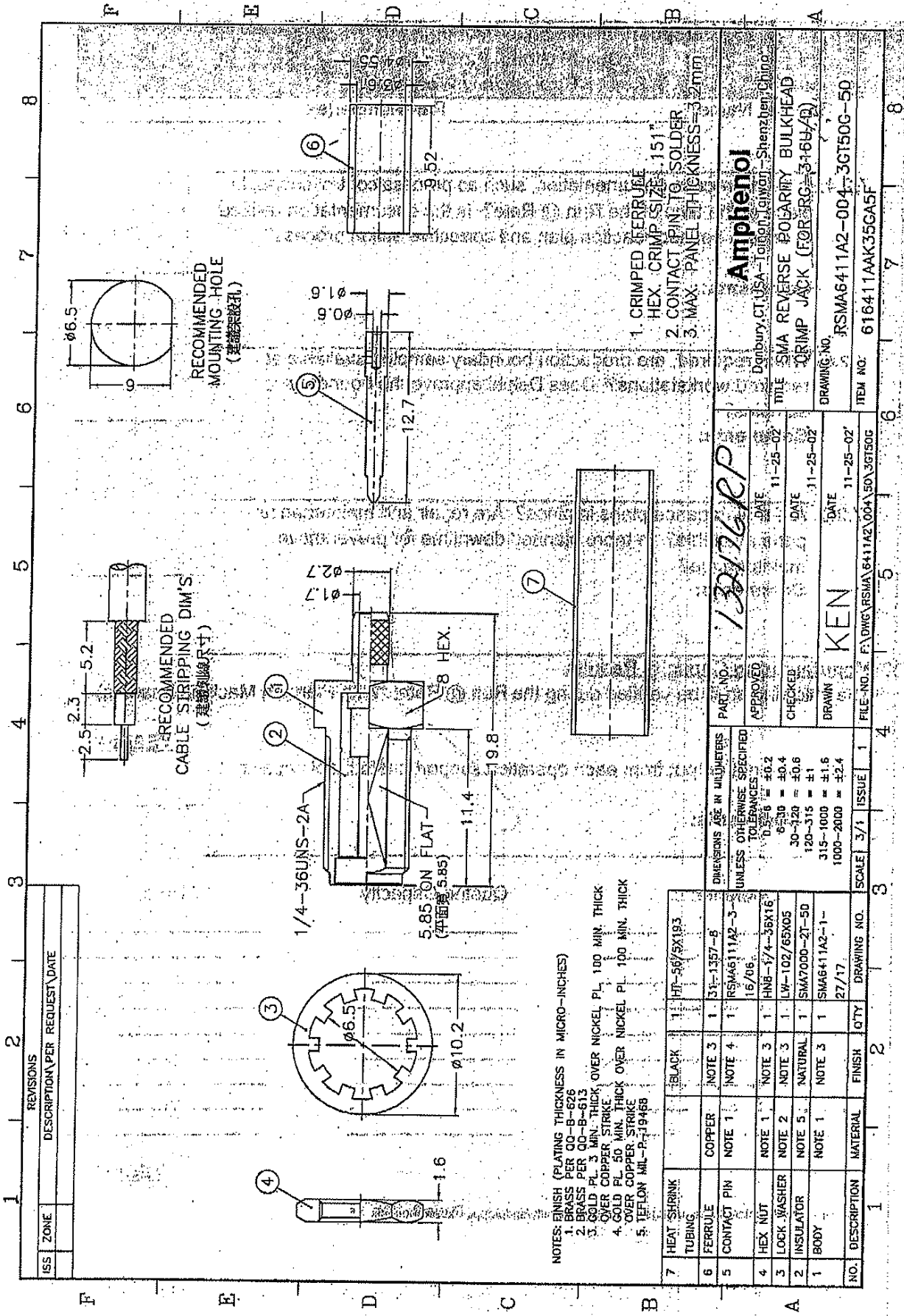
PART NO.
132176RP

DWG. NO. 132176RP.DWG

SCALE NA



9/16/08



Amphenol
 Danbury, CT, USA - Jiaison, (Guangzhou) - Shenzhen, China

132176RP

DATE: 11-25-02
 DATE: 11-25-02
 DATE: 11-25-02

KEN

FILE NO.: F:\DWG\RF\SMA6411A2\00A\50\3GT50G

SCALE: 3/1 ISSUE: 1

NO. DESCRIPTION MATERIAL FINISH QTY DRAWING NO.

1 3GT50G-50

ITEM NO: 616411AAK35CA5F

8

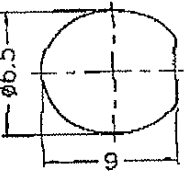
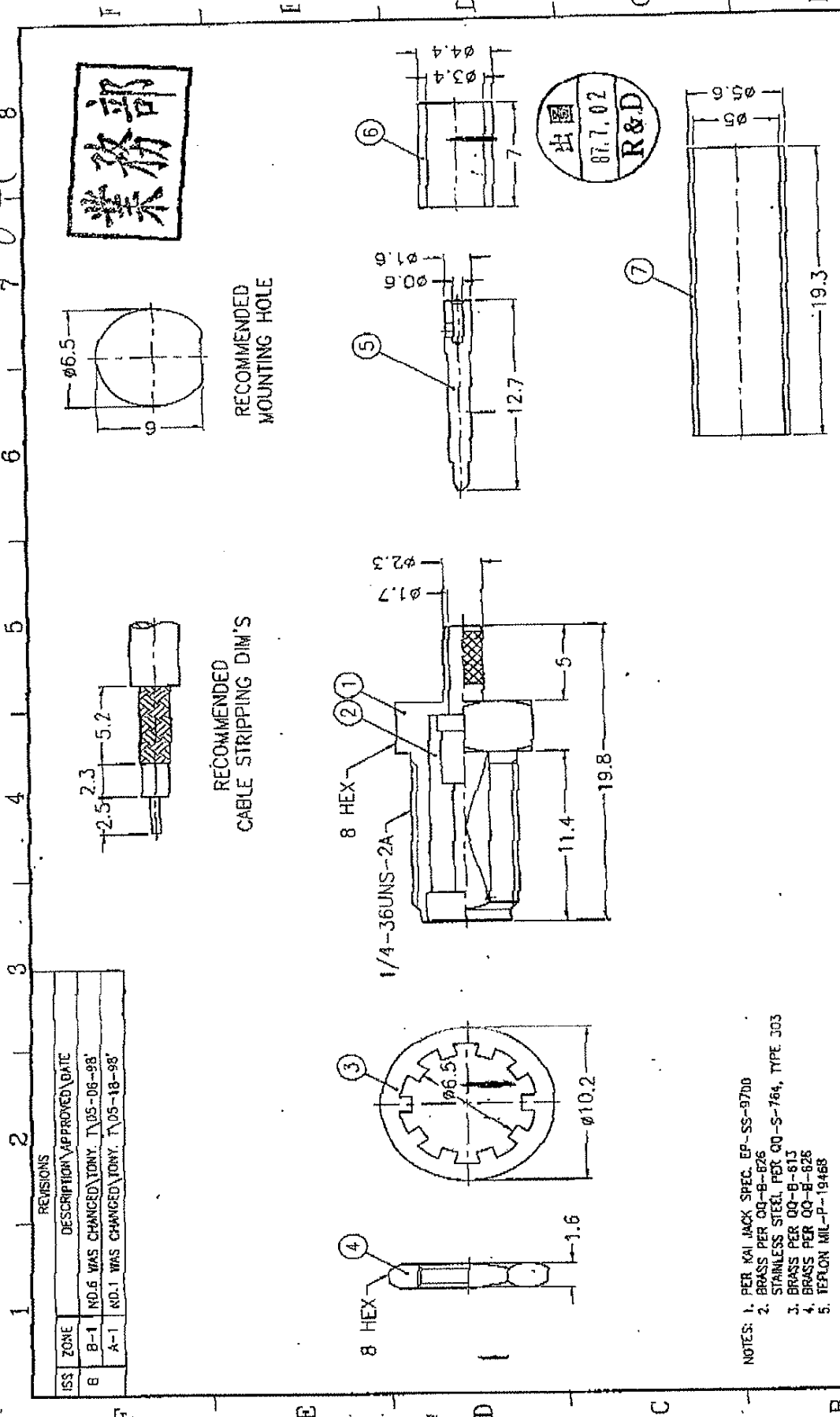
25. JAN. 2000 18:21

NO. 235

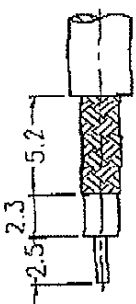
P. 3
A. 3

Old

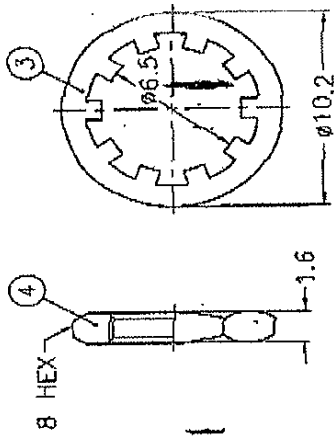
8 SMA-RP59



RECOMMENDED MOUNTING HOLE



RECOMMENDED CABLE STRIPPING DIM'S



- NOTES:
1. PER KAI JACK SPEC. EP-SS-9700
 2. BRASS PER QQ-B-626
 3. STAINLESS STEEL PER QQ-S-764, TYPE 303
 4. BRASS PER QQ-B-613
 5. TEFLON MIL-P-19468

REVISIONS	
ISS	DESCRIPTION \ APPROVED \ DATE
B	NO.6 WAS CHANGED \ TONY. \ 05-06-98'
A-1	NO.1 WAS CHANGED \ TONY. \ 05-18-98'

NO.	DESCRIPTION	MATERIAL	FINISH	QTY	DRAWING NO.
7	HEAT SHRINK TUBING	COPPER		1	HT-56/5X193
8	FERRULE	NOTE 1		1	FR-4/34X70
5	CONTACT PIN	NOTE 4		1	RSMAS11A2-3-15/06
4	HEX NUT	NOTE 2		1	RNB-1/4-36X16
3	LOCK WASHER	NOTE 3		1	LW-102/65X05
2	INSULATOR	NOTE 5	NATURAL	1	SMA7000-2T-50
1	BODY	NOTE 2		1	SMA641A2-1-23/17-C

PART NO. 132176 RP

APPROVED	DATE	07-01-98'
CHECKED	DATE	07-01-98'
DRAWN	DATE	07-01-98'

KAI JACK INDUSTRIAL CO., LTD.
TAINAN TAIWAN R.O.C.

TITLE	CRIMP PEEK REVERSE POLARIZED SMA REVERSE BULKHEAD CRIMP JACK 3.16 DBL BULG HEAD
DRAWING NO.	132176 RP
FILE NO.	E:\DIP\RSMA\641A2\316UD-50