



## Excellent Integrated System Limited

Stocking Distributor

Click to view price, real time Inventory, Delivery & Lifecycle Information:

[Molex Connector Corporation](#)

[14-60-0171](#)

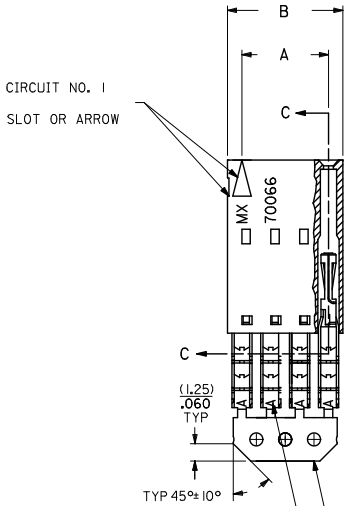
For any questions, you can email us directly:

[sales@integrated-circuit.com](mailto:sales@integrated-circuit.com)

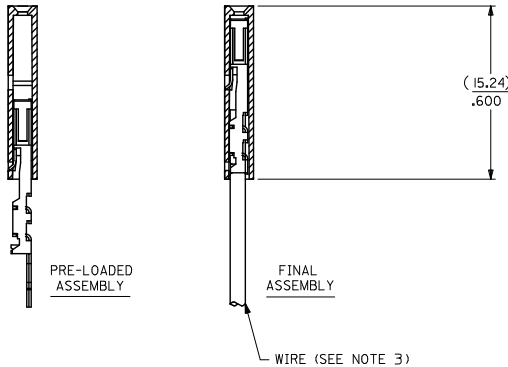
**OPTION A**

**NOTES:**

1. MATERIAL:  
HOUSING: POLYESTER(PBT), GLASS FILLED, UL94 V-0,  
COLOR: BLACK  
TERMINAL: PHOSPHOR BRONZE
2. FINISH:  
TIN: 3.81 MICROMETERS/150 MICROINCHES MINIMUM TIN  
OVER NICKEL UNDERPLATE OVERALL
3. TO BE USED WITH 24 AWG STRANDED WIRE WITH (1.35)/.053  
DIAMETER MAXIMUM INSULATION
4. SEE TABLE FOR AVAILABLE CIRCUIT SIZES
5. STANDARD PACKAGING PER PK-70873-0001, OPTIONAL PACKAGING  
MAY BE AVAILABLE, REQUEST DRAWING PK-70400
6. PARTS STACKABLE END TO END ON (2.54)/.100 CENTERS
7. PRODUCT SPECIFICATION: PS-70400
8. SEE DRAWING SDA-70400-\*\*\*\* (SHEET 3) FOR OPTIONAL  
HOUSING DETAILS
9. 4 CIRCUIT SHOWN
10. TO MATE WITH MOLEX 2.54/.100 CENTERLINE HEADERS
11. 2 CIRCUIT ASSEMBLIES SUPPLIED AS GROUPED PAIRS



**SECTION C-C**



I.D. SLOT CODE TO WIRE GAUGE CHART	
I.D. SLOT CODE	WIRE GAUGE
A	24 AWG.

PLATING CODE (STRIPE ON CARRIER STRIP)	
PLATING	COLOR
TIN	NONE

REMOVE ENG NO. EC NO. UC2010-110 DRAWN BY MSIBARRA 2010/10/19 CHECKED BY CHKGDJORGAN 2010/10/19 APPROVED BY WAZ 1984/10/09 DATE 2010/11/24	DESCRIPTION	QUALITY SYMBOLS	GENERAL TOLERANCES (UNLESS SPECIFIED)		DIMENSION STYLE		SCALE	DESIGN UNITS	THIRD ANGLE PROJECTION
			mm	INCH	MM/IN	INCH	INCH	INCH	
			4 PLACES ± .010	± .010	DRAWN BY MSIBARRA	DATE 2010/10/19	TITLE ASSEMBLY, SL CONNECTOR SINGLE ROW 2.54/.100 GRID		
			3 PLACES ± .025	± .014	CHECKED BY WAZ	DATE 1984/10/09	MOLEX INCORPORATED		
			1 PLACE ± 0.35	± .010	APPROVED BY MILLER	DATE 2010/11/24	SDA-70400-0001-0024		
DRAFT WHERE APPLICABLE MUST REMAIN WITHIN DIMENSIONS			SEE TABLE		MATERIAL NO. DOCUMENT NO.		SHEET NO. 1 OF 1		
			SIZE C		THIS DRAWING CONTAINS INFORMATION THAT IS PROPRIETARY TO MOLEX INCORPORATED AND SHOULD NOT BE USED WITHOUT WRITTEN PERMISSION				

CKT. SIZE	A	B	EDP. NO.
2	( 2.54 ) .100	( 5.05 ) .199	I4-60-0021
3	( 5.08 ) .200	( 7.59 ) .299	I4-60-0031
4	( 7.62 ) .300	( 10.13 ) .399	I4-60-0041
5	( 10.16 ) .400	( 12.67 ) .499	I4-60-0051
6	( 12.70 ) .500	( 15.21 ) .599	I4-60-0061
7	( 15.24 ) .600	( 17.75 ) .699	I4-60-0071
8	( 17.78 ) .700	( 20.29 ) .799	I4-60-0081
9	( 20.32 ) .800	( 22.83 ) .899	I4-60-0091
10	( 22.86 ) .900	( 25.37 ) .999	I4-60-0101
11	( 25.40 ) 1.000	( 27.91 ) 1.099	I4-60-0111
12	( 27.94 ) 1.100	( 30.45 ) 1.199	I4-60-0121
13	( 30.48 ) 1.200	( 32.99 ) 1.299	I4-60-0131
14	( 33.02 ) 1.300	( 35.53 ) 1.399	I4-60-0141
15	( 35.56 ) 1.400	( 38.07 ) 1.499	I4-60-0151
16	( 38.10 ) 1.500	( 40.61 ) 1.599	I4-60-0161
17	( 40.64 ) 1.600	( 43.15 ) 1.699	I4-60-0171
18	( 43.18 ) 1.700	( 45.69 ) 1.799	I4-60-0181
19	( 45.72 ) 1.800	( 48.23 ) 1.899	I4-60-0191
20	( 48.26 ) 1.900	( 50.77 ) 1.999	I4-60-0201
21	( 50.80 ) 2.000	( 53.31 ) 2.099	I4-60-0211
22	( 53.34 ) 2.100	( 55.85 ) 2.199	I4-60-0221
23	( 55.88 ) 2.200	( 58.39 ) 2.299	I4-60-0231
24	( 58.42 ) 2.300	( 60.93 ) 2.399	I4-60-0241
25	( 60.96 ) 2.400	( 63.47 ) 2.499	I4-60-0251