

Excellent Integrated System Limited

Stocking Distributor

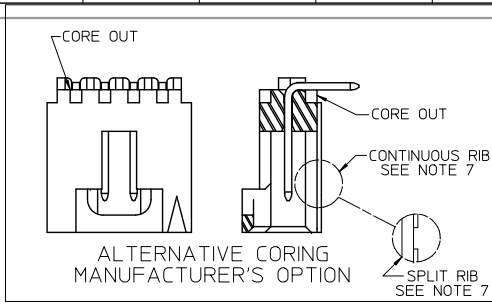
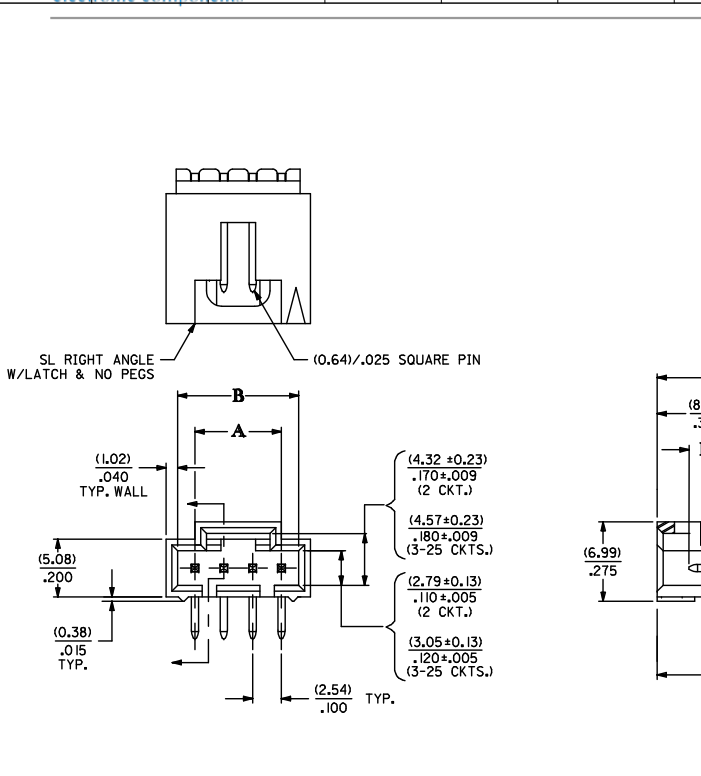
Click to view price, real time Inventory, Delivery & Lifecycle Information:

[Molex Connector Corporation](#)
[70553-0057](#)

For any questions, you can email us directly:

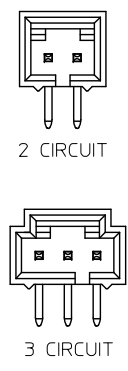
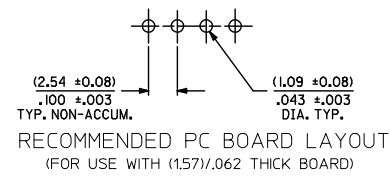
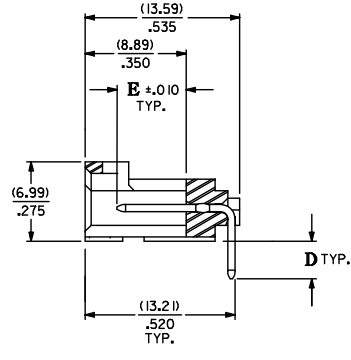
sales@integrated-circuit.com

13 12 11 10 9 8 7 6 5 4 3 2 1



| CKT. SIZE | DIM. "A" | | DIM. "B" | |
|-----------|----------|-------|----------|-------|
| | MM | IN. | MM | IN. |
| 2 | 2.54 | .100 | 5.33 | .210 |
| 3 | 5.08 | .200 | 8.13 | .320 |
| 4 | 7.62 | .300 | 10.67 | .420 |
| 5 | 10.16 | .400 | 13.21 | .520 |
| 6 | 12.70 | .500 | 15.75 | .620 |
| 7 | 15.24 | .600 | 18.29 | .720 |
| 8 | 17.78 | .700 | 20.83 | .820 |
| 9 | 20.32 | .800 | 23.37 | .920 |
| 10 | 22.86 | .900 | 25.91 | 1.020 |
| 11 | 25.40 | 1.000 | 28.45 | 1.120 |
| 12 | 27.94 | 1.100 | 30.99 | 1.220 |
| 13 | 30.48 | 1.200 | 33.53 | 1.320 |
| 14 | 33.02 | 1.300 | 36.07 | 1.420 |
| 15 | 35.56 | 1.400 | 38.61 | 1.520 |
| 16 | 38.10 | 1.500 | 41.15 | 1.620 |
| 17 | 40.64 | 1.600 | 43.69 | 1.720 |
| 18 | 43.18 | 1.700 | 46.23 | 1.820 |
| 19 | 45.72 | 1.800 | 48.77 | 1.920 |
| 20 | 48.26 | 1.900 | 51.31 | 2.020 |
| 21 | 50.80 | 2.000 | 53.85 | 2.120 |
| 22 | 53.34 | 2.100 | 56.39 | 2.220 |
| 23 | 55.88 | 2.200 | 58.93 | 2.320 |
| 24 | 58.42 | 2.300 | 61.47 | 2.420 |
| 25 | 60.96 | 2.400 | 64.01 | 2.520 |

- NOTES:
- HEADER MATERIAL: GLASS FILLED POLYESTER, UL 94V-0, COLOR: BLACK
PIN MATERIAL: PHOSPHOR BRONZE
 - FINISH:
TIN: 3.81 MICROMETERS/150 MICROINCHES MINIMUM TIN PLATE OVERALL
OVER NICKEL UNDERPLATE OVERALL
15 GOLD: 0.38 MICROMETERS/15 MICROINCHES MINIMUM GOLD PLATE IN CONTACT AREA
1.91 MICROMETERS/75 MICROINCHES MINIMUM TIN PLATE IN TAIL AREA
OVER NICKEL UNDERPLATE OVERALL
30 GOLD: 0.76 MICROMETERS/30 MICROINCHES MINIMUM GOLD PLATE IN CONTACT AREA
1.91 MICROMETERS/75 MICROINCHES MINIMUM TIN PLATE IN TAIL AREA
OVER NICKEL UNDERPLATE OVERALL
 - HEADER TO BE USED WITH OPTION 'G' 70400 AND 70430 SERIES SL CONNECTORS
 - REFER TO MOLEX PRODUCT SPECIFICATION PS-70541 & PS-70400
 - STANDARD PACKAGING IN TUBES PER PK-70873-0015 OR OPTIONAL PACKAGING IN BAGS PER PK-70873-0535. OPTION PACK NOT AVAILABLE FOR ALL CKT SIZES.
 - ALTERNATIVE RIB, MAY BE SPLIT OR CONTINUOUS. EITHER OPTION DOES NOT IMPACT FUNCTION OF THE ASSEMBLY.



| | | | | | | | | | |
|--|-------------|-----------------|---------------------------------------|------|---|------------|--|--------------|------------------------|
| REVISION REV | DESCRIPTION | QUALITY SYMBOLS | GENERAL TOLERANCES (UNLESS SPECIFIED) | | DIMENSION STYLE | | SCALE | DESIGN UNITS | THIRD ANGLE PROJECTION |
| | | | mm | INCH | MM/IN | 4:1 | INCH | | |
| 4 | PLACES | ± --- | ± --- | AAB | DATE | 1993/05/13 | SALES ASSY, SL RIGHT ANGLE HDR W/LATCH (2.54)/.100 CENTERS molex | | |
| 3 | PLACES | ± --- | ± .005 | AAB | DATE | 1993/05/13 | | | |
| 2 | PLACES | ± 0.13 | ± .010 | AAB | DATE | 1993/05/13 | | | |
| 1 | PLACE | ± 0.25 | ± --- | WAZ | DATE | 1993/05/13 | | | |
| 0 | PLACE | ± --- | ± --- | WAZ | DATE | 1993/05/13 | DOCUMENT NO. SDA-70553-**** | | |
| DRAFT WHERE APPLICABLE MUST REMAIN WITHIN DIMENSIONS | | | ANGULAR ± 1/2° | | MATERIAL NO. | | SHEET NO. | | 1 OF 3 |
| | | | SEE TABLE | | THIS DRAWING CONTAINS INFORMATION THAT IS PROPRIETARY TO MOLEX INCORPORATED AND SHOULD NOT BE USED WITHOUT WRITTEN PERMISSION | | | | |

ib_frame_C_P_AM.T Rev. G 2012/01/11 12 11 10 9 8 7 6 5 4 3 2 1

| CIRCUIT SIZE | ENGINEERING NUMBER A-70553 | D REF. | E ± .010 | MATING AREA FINISH | PC TAIL AREA FINISH | SEE PACK INFORMATION DRAWING PK-70873 |
|--------------|----------------------------|----------------|----------------|--------------------|---------------------|---------------------------------------|
| 2-10 | -0001-0009 | (3,30) .130 | (6,10) .240 | 15 GOLD | TIN | -0015 (TUBES) |
| 11-25 | -0010-0024 | (3,30) .130 | (6,10) .240 | 15 GOLD | TIN | -0015 (TUBES) |
| 2-10 | -0036-0044 | (3,30) .130 | (6,10) .240 | TIN | TIN | -0015 (TUBES) |
| 11-25 | -0045-0059 | (3,30) .130 | (6,10) .240 | TIN | TIN | -0015 (TUBES) |
| 2-10 | -0106-0114 | (3,30) .130 | (6,10) .240 | 30 GOLD | TIN | -0015 (TUBES) |
| 11-25 | -0115-0129 | (3,30) .130 | (6,10) .240 | 30 GOLD | TIN | -0015 (TUBES) |
| 2-10 | -0141-0149 | (2,67) .105 | (6,10) .240 | 15 GOLD | TIN | -0015 (TUBES) |
| 11-25 | -0150-0164 | (2,67) .105 | (6,10) .240 | 15 GOLD | TIN | -0015 (TUBES) |
| 2-10 | | | | | | |
| 11-25 | | | | | | |

| CIRCUIT SIZE | ASSEMBLY ITEM NUMBER | ASSEMBLY ITEM NUMBER | ASSEMBLY ITEM NUMBER | ASSEMBLY ITEM NUMBER | ASSEMBLY ITEM NUMBER | ASSEMBLY ITEM NUMBER |
|--------------|----------------------|----------------------|----------------------|----------------------|----------------------|----------------------|
| 2 | 70553-0001 | 70553-0036 | 70553-0106 | 70553-0141 | | |
| 3 | 70553-0002 | 70553-0037 | 70553-0107 | 70553-0142 | | |
| 4 | 70553-0003 | 70553-0038 | 70553-0108 | 70553-0143 | | |
| 5 | 70553-0004 | 70553-0039 | 70553-0109 | 70553-0144 | | |
| 6 | 70553-0005 | 70553-0040 | 70553-0110 | 70553-0145 | | |
| 7 | 70553-0006 | 70553-0041 | 70553-0111 | 70553-0146 | | |
| 8 | 70553-0007 | 70553-0042 | 70553-0112 | 70553-0147 | | |
| 9 | 70553-0008 | 70553-0043 | 70553-0113 | 70553-0148 | | |
| 10 | 70553-0009 | 70553-0044 | 70553-0114 | 70553-0149 | | |
| 11 | 70553-0010 | 70553-0045 | 70553-0115 | 70553-0150 | | |
| 12 | 70553-0011 | 70553-0046 | 70553-0116 | 70553-0151 | | |
| 13 | 70553-0012 | 70553-0047 | 70553-0117 | 70553-0152 | | |
| 14 | 70553-0013 | 70553-0048 | 70553-0118 | 70553-0153 | | |
| 15 | 70553-0014 | 70553-0049 | 70553-0119 | 70553-0154 | | |
| 16 | 70553-0015 | 70553-0050 | 70553-0120 | 70553-0155 | | |
| 17 | 70553-0016 | 70553-0051 | 70553-0121 | 70553-0156 | | |
| 18 | 70553-0017 | 70553-0052 | 70553-0122 | 70553-0157 | | |
| 19 | 70553-0018 | 70553-0053 | 70553-0123 | 70553-0158 | | |
| 20 | 70553-0019 | 70553-0054 | 70553-0124 | 70553-0159 | | |
| 21 | 70553-0020 | 70553-0055 | 70553-0125 | 70553-0160 | | |
| 22 | 70553-0021 | 70553-0056 | 70553-0126 | 70553-0161 | | |
| 23 | 70553-0022 | 70553-0057 | 70553-0127 | 70553-0162 | | |
| 24 | 70553-0023 | 70553-0058 | 70553-0128 | 70553-0163 | | |
| 25 | 70553-0024 | 70553-0059 | 70553-0129 | 70553-0164 | | |

X IN COLUMN UNDER *ASSEMBLY ITEM NUMBER * HEADING DENOTES TOOLING NOT AVAILABLE

| | | | | | | | | |
|---|--------------------------------------|--|--|---|--------------|------------------------------------|------------------------|---|
| SEE SHEET 1 EC NO: UCP2016-0427 DRW: SANGOT 2015/07/29 CHK: DORNGAN 2015/07/29 APPR: MILLER 2016/02/19 REV | QUALITY SYMBOLS ∇=0 ∇=0 ∇=0 | GENERAL TOLERANCES (UNLESS SPECIFIED) mm INCH 4 PLACES ± --- ± --- 3 PLACES ± --- ± .005 2 PLACES ± 0.13 ± .010 1 PLACE ± 0.25 ± --- 0 PLACE ± --- ± --- | | DIMENSION STYLE MM/IN | SCALE 4:1 | DESIGN UNITS INCH | THIRD ANGLE PROJECTION | |
| | | DRAWN BY DATE AAB 1993/05/13 | | CHECKED BY DATE AAB 1993/05/13 | | APPROVED BY DATE MAZ 1993/05/13 | | TITLE SALES ASSY, SL RIGHT ANGLE HDR W/LATCH (2.54)/.100 CENTERS molex |
| | | MATERIAL NO. SEE TABLE | | DOCUMENT NO. SDA-70553-**** | | SHEET NO. 2 OF 3 | | |
| | | DRAFT WHERE APPLICABLE MUST REMAIN WITHIN DIMENSIONS | | THIS DRAWING CONTAINS INFORMATION THAT IS PROPRIETARY TO MOLEX INCORPORATED AND SHOULD NOT BE USED WITHOUT WRITTEN PERMISSION | | | | |

| CIRCUIT SIZE | ENGINEERING NUMBER A-70553 | | D REF. | E ± .010 | MATING AREA FINISH | PC TAIL AREA FINISH | SEE PACK INFORMATION DRAWING PK-70873 |
|--------------|----------------------------|--|----------------|----------------|--------------------|---------------------|---------------------------------------|
| 2-10 | -5001-5009 | | (3.30) .130 | (6.10) .240 | 15 GOLD | TIN | -0535 (BAGS) |
| 2-10 | -5036-5044 | | (3.30) .130 | (6.10) .240 | TIN | TIN | -0535 (BAGS) |
| 2-10 | -6001-6009 | | (3.30) .130 | (6.10) .240 | 15 GOLD | TIN | -0535 (BAGS) |
| 2-10 | | | | | | | |

| CIRCUIT SIZE | ASSEMBLY ITEM NUMBER | ASSEMBLY ITEM NUMBER | ASSEMBLY ITEM NUMBER | ASSEMBLY ITEM NUMBER | ASSEMBLY ITEM NUMBER | ASSEMBLY ITEM NUMBER |
|--------------|----------------------|----------------------|----------------------|----------------------|----------------------|----------------------|
| 2 | X 70553-5001 | | 70553-5036 | | | |
| 3 | X 70553-5002 | X | 70553-5037 | 70553-6002 | | |
| 4 | X 70553-5003 | | 70553-5038 | | | |
| 5 | X 70553-5004 | X | 70553-5039 | | | |
| 6 | X 70553-5005 | X | 70553-5040 | | | |
| 7 | X 70553-5006 | X | 70553-5041 | | | |
| 8 | X 70553-5007 | X | 70553-5042 | | | |
| 9 | X 70553-5008 | X | 70553-5043 | | | |
| 10 | X 70553-5009 | X | 70553-5044 | | | |

X IN COLUMN UNDER *ASSEMBLY ITEM NUMBER * HEADING DENOTES TOOLING NOT AVAILABLE

| | | | | | | | | | |
|--|--------------------------------------|--|------|-----------------|------------------|---|--|-----------------------------|--|
| SEE SHEET 1 EC NO: UCP2016-0427 2015/07/29 DRWNSWANG01 CHKDBUMIHAN 2015/07/29 APPR:SMILLER 2016/02/19 | QUALITY SYMBOLS ∇=0 ∇=0 ∇=0 | GENERAL TOLERANCES (UNLESS SPECIFIED) | | DIMENSION STYLE | | SCALE | DESIGN UNITS | THIRD ANGLE PROJECTION | |
| | | | | MM/IN | | 4:1 | INCH | | |
| | | 4 PLACES | ±--- | ±--- | AAB | DATE | TITLE | | |
| | | 3 PLACES | ±--- | ±.005 | AAB | DATE | SALES ASSY, SL RIGHT ANGLE HDR W/LATCH (2.54)/.100 CENTERS | | |
| 2 PLACES | ±0.13 | ±.010 | AAB | DATE | molex | | | | |
| 1 PLACE | ±0.25 | ±--- | WAZ | DATE | | | | DOCUMENT NO. SDA-70553-**** | |
| 0 PLACE | ±--- | ±--- | | | SHEET NO. 3 OF 3 | | | | |
| ANGULAR ±1/2° | | DRAFT WHERE APPLICABLE MUST REMAIN WITHIN DIMENSIONS | | SEE TABLE | | THIS DRAWING CONTAINS INFORMATION THAT IS PROPRIETARY TO MOLEX INCORPORATED AND SHOULD NOT BE USED WITHOUT WRITTEN PERMISSION | | | |